

1008B Forged Brass Ball Valve (Screwed)

Salient Features

- Screwed Female Ends to IS 554 / BS 21 / ISO 7.
- Full Bore, Two Piece Design.
- Quarter Turn, Lever Operated.
- Provided with Forged Brass Hard Chrome Plated Ball.
- Premium Quality PTFE Gland Packing and Seating.
- Chrome Finish.

Test Pressure (Hydrostatic) :
Shell : 25 kg/cm²g (350 psig)
Seat : 16 kg/cm²g (225 psig)
Maximum Working Temperature : 220°C

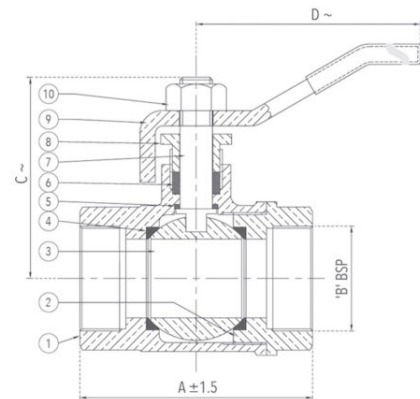
Suitable For

Water, Oil



Materials

| P.No. | Name of Part | Material of Construction | Specification | Quantity |
|-------|----------------|-----------------------------------|-----------------|----------|
| 1 | Body | Forged Brass | IS 6912 Gr. FLB | 1 |
| 2 | Bonnet | Forged Brass | IS 6912 Gr. FLB | 1 |
| 3 | Ball | Forged Brass (Hard Chrome Plated) | IS 6912 Gr. FLB | 1 |
| 4 | Body Seat Ring | PTFE | BS EN 12086 - 1 | 2 |
| 5 | Thrust Washer | PTFE | BS EN 12086 - 1 | 1 |
| 6 | Gland Packing | PTFE | BS EN 12086 - 1 | - |
| 7 | Stem | Forged Brass | IS 6912 Gr. FLB | 1 |
| 8 | Gland | Forged Brass | --- | 1 |
| 9 | Lever | Aluminium Alloy / Mild Steel | --- | 1 |
| 10 | Nut | Brass (Chrome Plated) | --- | 1 |



Sizes / Dimensions

| Size (Inches) | Size (mm) | A ±1.5 | B | C ~ | D ~ |
|---------------|-----------|--------|--------|-----|-----|
| 1/4 | 8 | 47 | 1/4" | 37 | 90 |
| 3/8 | 10 | 47 | 3/8" | 37 | 90 |
| 1/2 | 15 | 50 | 1/2" | 40 | 106 |
| 3/4 | 20 | 58 | 3/4" | 43 | 132 |
| 1 | 25 | 67 | 1" | 51 | 132 |
| 1 1/4 | 32 | 76 | 1 1/4" | 65 | 166 |
| 1 1/2 | 40 | 87 | 1 1/2" | 72 | 176 |
| 2 | 50 | 104 | 2" | 80 | 216 |
| 2 1/2 | 65 | 139 | 2 1/2" | 102 | 216 |
| 3 | 80 | 155 | 3" | 110 | 280 |
| 4 | 100 | 177 | 4" | 124 | 280 |