

1071 Cast Steel Globe Steam Stop Valve (Flanged)

Salient Features

- Flanged Ends to DIN 2545 PN 40.
- Straight Pattern, Outside Screw, Yoke Type, Rising Stem, Bolted Bonnet.
- Renewable 13% Cr. Stainless Steel (S.S 410) working parts.
- Minimum pressure drop inside the body due to streamlined body design.
- Handwheel Operated.
- Provision for re-packing under pressure.
- Suitable for thermic fluid application also.

Test Pressure (Hydrostatic) :

Shell : 60 bar (870 psig)

Maximum Working Pressure : 40 bar (580 psig)

Maximum Working Temperature : 425°C

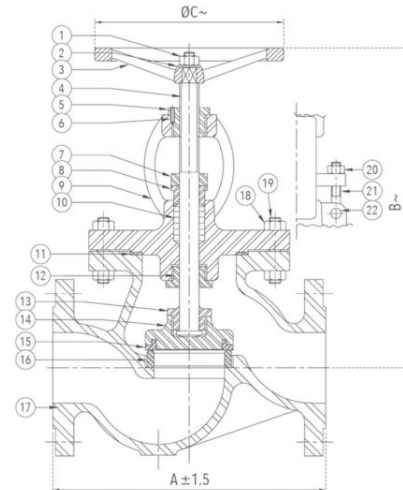
Suitable For

Steam, Water, Oil



Materials

P.No.	Name of Part	Material of Construction	Specification	Qty.
1	Nut	Carbon Steel	---	1
2	Washer	Carbon Steel	---	1
3	Handwheel	S.G Iron	IS 1865 Gr. 400 / 15	1
4	Stem	Stainless Steel	ASTM A 276 Type 410	1
5	Yoke Bush	Aluminium Bronze	BS EN 1982 AB - 1	1
6	Locking Screw	Carbon Steel	IS 1367	1
7	Gland Flange	Cast Steel	IBR 73-80 Gr. B	1
8	Gland	Stainless Steel	ASTM A 276 Type 410	1
9	Bonnet	Cast Steel	IBR 73-80 Gr. B	1
10	Gland Packing	Braided Graphite	---	-
11	Gasket	Spiral Wound S.S (Type 316) Graphite Filled	---	1
12	Back Seat Bush	Aluminium Bronze	BS EN 1982 AB - 1	1
13	Stem Nut	Stainless Steel	ASTM A 276 Type 410	1
14	Disc	Cast Steel	IBR 73-80 Gr. B	1
15	Seat Ring	Stainless Steel	ASTM A 276 Type 410 / ASTM A 182 Gr. F6a	1
16	Body Seat Ring	Stainless Steel	ASTM A 276 Type 410 / ASTM A 182 Gr. F6a	1
17	Body	Cast Steel	IBR 73-80 Gr. B	1
18	Nuts	H.T Steel	ASTM A 194 Gr. 2H	As Reqd
19	Studs	Alloy Steel	ASTM A 193 Gr. B7	As Reqd
20	Nuts For Eye Bolts	H.T Steel	ASTMA 194 Gr. 2H	2
21	Eye Bolts	Stainless Steel	ASTM A 182 Gr. F6a	2
22	Pins For Eye Bolts	Stainless Steel	ASTM A 276 Type 410	2



Sizes / Dimensions

Size (Inches)	Size (mm)	A ±1.5	B ~	ØC ~
1/2	15	130	190	120
3/4	20	150	190	120
1	25	160	215	150
1 1/4	32	180	230	150
1 1/2	40	200	259	180

Size (Inches)	Size (mm)	A ±1.5	B ~	ØC ~
2	50	230	272	180
2 1/2	65	290	316	200
3	80	310	341	235
4	100	350	395	295
6	150	480	500	350
8	200	600	525	435

~ ±10

1072 Cast Steel Horizontal Lift Check Valve (Flanged) I.B.R

Salient Features

- Flanged Ends to DIN 2545 PN 40.
- Bolted Cover, Straight Pattern.
- Renewable 13% Cr. Stainless Steel (S.S 410) working parts.
- Minimum pressure drop inside the body due to well contoured body design.
- Suitable for thermic fluid application also.

Test Pressure (Hydrostatic) :

Shell : 60 bar (870 psig)

Maximum Working Pressure : 40 bar (580 psig)

Maximum Working Temperature : 425°C

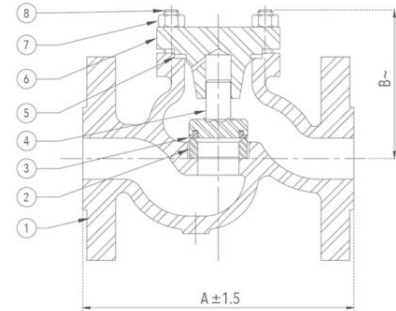
Suitable For

Steam, Water, Oil



Materials

P.No.	Name of Part	Material of Material	Specification	Qty.
1	Body	Cast Steel	IBR 73-80 Gr. B	1
2	Body Seat Ring	Stainless Steel	ASTM A 276 Type 410	1
3	Disc Ring	Stainless Steel	ASTM A 276 Type 410	1
4	Disc	Cast Steel	IBR 73 - 80 Gr. B	1
5	Gasket	Spiral Wound S.S. (Type 316) Graphite Filled	---	1
6	Cover	Cast Steel	IBR 73-80 Gr. B	1
7	Nuts	H.T. Steel	ASTM A 194 Gr. 2H	As Reqd.
8	Studs	Alloy Steel	ASTM A 193 Gr. B7	As Reqd.



Sizes / Dimensions

Size (Inches)	Size (mm)	A ±1.5	B ~
1/2	15	130	86
3/4	20	150	86
1	25	160	100
1 1/4	32	180	102
1 1/2	40	200	113
2	50	230	123
2 1/2	65	290	155
3	80	310	170
4	100	350	192
6	150	480	250
8	200	600	275

~ ±10

1073 Cast Steel Y-Type Strainer (Flanged)

Salient Features

- Flanged Ends to BS 10 Table 'J'.
- Stainless Steel (S.S 304) perforated sheet screen (Ø1 mm Perforation) is guided in body and cover.
- Drain Plug to remove the accumulated foreign particles.
- Fine finish and smooth contours to minimize pressure drop inside the strainer.
- Large screening area makes the strainer more efficient.
- Suitable for thermic fluid application also.

Test Pressure (Hydrostatic) : 49 kg/cm²g (700 psig)
Maximum Working Pressure (Steam) : 24.60 kg/cm²g (350 psig)
Maximum Working Temperature : 425°C

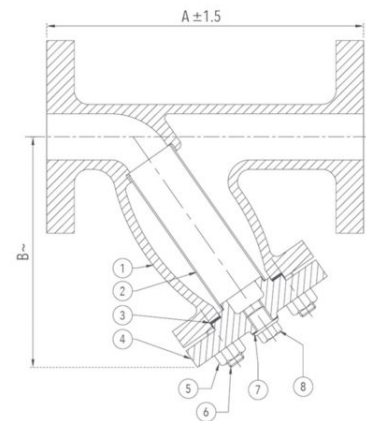
Suitable For

Steam, Water, Oil



Materials

P.No.	Name of Part	Material of Construction	Specification	Qty.
1	Body	Cast Steel	IBR 73 - 80 Gr. B	1
2	Screen (Ø1 mm Perforation)	Stainless Steel	Type 304	1
3	Gasket	Steam Jointing Sheet	IS 2712 Gr. W/3	1
4	Bonnet	Cast Steel	IBR 73-80 Gr. B	1
5	Nuts	H.T Steel	ASTM A 194 Gr. 2H	As Reqd
6	Studs	Alloy Steel	ASTM A 193 Gr. B7	As Reqd
7	Gasket	Steam Jointing Sheet	IS 2712 Gr. W/3	1
8	Plug	Bronze	IS 318 Gr. LTB2	1



Sizes / Dimensions

Size (Inches)	Size (mm)	A ±1.5	B ~
1	25	181	135
1 1/4	32	222	170
1 1/2	40	260	200
2	50	276	225
2 1/2	65	286	250
3	80	296	280
4	100	403	312
6	150	476	364

~ ±10

1077 Cast Steel Gate Valve, Class-150 (Flanged) I.B.R

Salient Features

- Design Standard BS EN ISO 10434 / API 600.
- Bolted Bonnet, Outside Screw, Yoke Type, Rising Stem.
- Renewable 13% Cr. Stainless Steel (S.S 410) working parts.
- Handwheel Operated.
- Flanged Ends as per ASME B 16.5 Class-150.

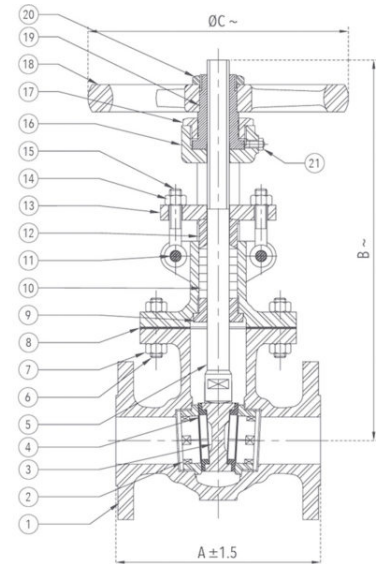
Test Pressure (Hydrostatic) :
Shell : 31 kg/cm²g (425 psig)
Seat : 21kg/cm²g (313 psig)
Seat (Steam) : 10.55 kg/cm²g (150 psig)
Maximum Working Temperature : 425°C

Suitable For
Steam, Water, Oil



Materials

P.No.	Name of Part	Material of Construction	Specification	Qty.
1	Body	Cast Steel	ASTM A 216 Gr. WCB	1
2	Body Seat Ring	Stainless Steel	ASTM A 276 Type 410 / ASTM A 182 Gr. F6a	2
3	Wedge	Cast Steel	ASTM A 216 Gr. WCB	1
4	Wedge Facing Ring	Stainless Steel	ASTM A 276 Type 410 / ASTM A 182 Gr. F6a	2
5	Stem	Stainless Steel	ASTM A 276 Type 410 / ASTM A 182 Gr. F6a	1
6	Studs	Alloy Steel	ASTM A 193 Gr. B7	As Reqd.
7	Nuts	H.T. Steel	ASTM A 194 Gr. 2H	As Reqd.
8	Gasket	Steam Jointing Sheet	IS 2712 Gr. W/3	1
9	Back Seat Bush	Aluminium Bronze	BS EN 1982 Gr. AB - 1	1
10	Gland Packing	Braided Graphite	IS 4687	-
11	Pin For Eye Bolt	Stainless Steel	ASTM A 276 Type 410	2
12	Gland	Stainless Steel	ASTM A 276 Type 410	1
13	Gland Flange	Carbon Steel	---	1
14	Nuts	H.T. Steel	ASTM A 194 Gr. 2H	2
15	Eye Bolts	Stainless Steel	ASTM A 276 Type 410	2
16	Bonnet	Carbon Steel	ASTM A 216 Gr. WCB	1
17	Sleeve Nut	Stainless Steel	ASTM A 276 Type 410	1
18	Handwheel	Nodular Iron	ASTM A 439 D2	1
19	Yoke Sleeve	S.G Iron	IS 1865 Gr. 400 / 15	1
20	Handwheel Nut	Carbon Steel	---	1
21	Grease Nipple	Carbon Steel	---	1



Sizes / Dimensions

Size (Inches)	Size (mm)	A ± 1.5	B ~	ØC ~
1 1/2	40	165	330	210
2	50	178	340	210
2 1/2	65	190	395	210
3	80	203	430	225
4	100	229	521	255

Size (Inches)	Size (mm)	A ±1.5	B ~	ØC ~
5	125	254	568	255
6	150	267	666	356
8	200	292	783	400

~ ±10

1088 Cast Steel Three Piece Design Ball Valve, Class-150 (Screwed) I.B.R.

Salient Features

- Design Standard BS EN ISO 17292 (BS 5351).
- Screwed Female Ends to BSPT / NPT / Socket Weld.
- Reduced Bore, Three Piece Design.
- Superb in Quality and Performance.

Test Pressure (Hydrostatic) :
Shell : 31 kg/cm²g (440psig)
Seat : 21kg/cm²g (300 psig)
Seat (Steam) : 10.55 kg/cm²g (150 psig)
Maximum Working Temperature : 220°C

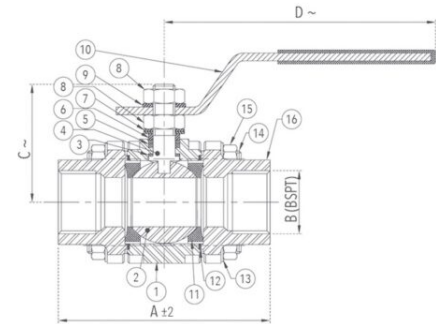
Suitable For

Steam, Water, Oil



Materials

P.No.	Name of Part	Material of Construction	Specification	Qty.
1	Body	Cast Steel	ASTM A 216 Gr. WCB	1
2	Ball	Stainless Steel	ASTM A 276 Type 304 / ASTM A 351 Gr. CF8	1
3	Thrust Washer	PTFE 35% Carbon Filled	---	1
4	Stem	Stainless Steel	ASTM A 276 Type 316	1
5	Packing Ring	PTFE 35% Carbon Filled	---	2
6	Gland	Stainless Steel	ASTM A 276 Type 304	1
7	Cup Washer	Stainless Steel	ASTM A 276 Type 304	2
8	Nut	H.T Steel	ASTM A 194 Gr. 2H	2
9	Spring Washer	Spring Steel	EN 47 Gr. B	1
10	Lever	Carbon Steel	---	1
11	Body Seat Ring	PTFE	---	2
12	Gasket	PTFE	---	2
13	Spring Washer	Spring Steel	EN 47 Gr. B	8
14	Studs	Alloy Steel	ASTM A 193 Gr. B7	4
15	Nuts	H.T Steel	ASTM A 194 Gr. 2H	8
16	End Connector	Cast Steel	ASTM A 216 Gr. WCB	2



Sizes / Dimensions

Size (Inches)	Size (mm)	A ±2	B	C ~	D ~
1/2	15	69	1/2"	38	112
3/4	20	73	3/4"	40	125
1	25	95	1"	57	168
1 1/4	32	105	1 1/4"	65	168
1 1/2	40	115	1 1/2"	75	177
2	50	128	2"	80	220

~ ±10

1089 Cast Steel Three Piece Design Ball Valve, Class-150 (Flanged) I.B.R.

Salient Features

- Design Standard BS EN ISO 17292 (BS 5351).
- Flanged Ends to ANSI B16.5 Class-150 (Drilled).
- Three Piece Design.
- Superb in Quality and Performance.

Test Pressure (Hydrostatic) :
Shell : 31 kg/cm²g (440 psig)
Seat : 21kg/cm²g (30 psig)
Seat (Steam) : 10.55 kg/cm²g (150 psig)
Maximum Working Temperature : 220°C

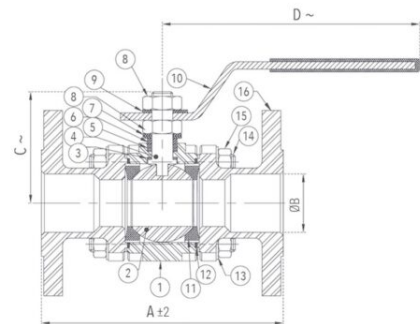
Suitable For

Steam, Water, Oil



Materials

P.No.	Name of Part	Material of Construction	Specification	Qty.
1	Body	Cast Steel	ASTM A 216 Gr. WCB	1
2	Ball	Stainless Steel	ASTM A 276 Type 304 / ASTM A 351 Gr. CF8	1
3	Thrust Washer	PTFE 35% Carbon Filled	---	1
4	Stem	Stainless Steel	ASTM A 276 Type 316	1
5	Packing Ring	PTFE 35% Carbon Filled	---	2
6	Gland	Stainless Steel	ASTM A 276 Type 304	1
7	Cup Washer	Stainless Steel	ASTM A 276 Type 304	2
8	Nut	H.T Steel	ASTM A 194 Gr. 2H	2
9	Spring Washer	Spring Steel	EN 47 Gr. B	1
10	Lever	Carbon Steel	---	1
11	Body Seat Ring	PTFE	---	2
12	Gasket	PTFE	---	2
13	Spring Washer	Spring Steel	EN 47 Gr. B	8
14	Studs	Alloy Steel	ASTM A 193 Gr. B7	4
15	Nuts	H.T Steel	ASTM A 194 Gr. 2H	8
16	End Connector	Cast Steel	ASTM A 216 Gr. WCB	2



Sizes / Dimensions

Size (Inches)	Size (mm)	A ±2	ØB	C ~	D ~
1/2	15	108	15	38	150
3/4	20	117	20	40	150
1	25	127	25	57	160
1 1/4	32	140	32	65	160
1 1/2	40	165	40	75	202
2	50	178	50	80	202
2 1/2*	65	191	63.5	125	250
3*	80	203	76	137	335
4*	100	229	100	158	335

~ ±10

*Full Bore

1091 Cast Steel Sleeve Packed Water Level Gauge (Flanged) I.B.R

Salient Features

- Flanged End to BS 10 Table 'J'.
- Automatic Shut Off Device in Water Arm.
- Available for both, Right Hand and Left Hand.
- Premium Quality Sleeve, Reinforced by metallic eye holes, is provided to avoid any clogging of passage.
- Each piece is fitted with self adjusting inverted taper plug (Stainless Steel) which forms a seal in the renewable moulded asbestos sleeve.
- Sleeve can easily be positioned by a rib which fits in the corresponding groove of the body.

Test Pressure (Hydrostatic) :
Shell : 48 kg/cm²g (700 psig)
Test Pressure (Steam) :
Seat : 24.50 kg/cm²g (350 psig)
Maximum Working Temperature : 425°C

Suitable For

Steam, Water

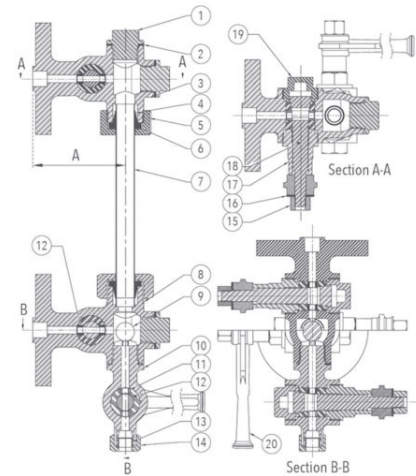
Materials

P.No.	Name of Part	Material of Construction	Specification	Qty.
1	Plug	Stainless Steel	ASTM A 276 Type 410	3
2	Gasket	Steam Jointing Sheet	IS 2712 Gr. W/3	4
3	Upper Arm	Cast Steel	IBR 73-80 Gr. B	1
4	Cone	Synthetic Rubber	IS 5192-1	2
5	Nut	Stainless Steel	ASTM A 276 Type 410	2
6	Washer	Bronze	IBR 282 (a) (iv) Gr. B	2
7	Glass Tube*	Toughened Glass	---	1
8	Lower arm	Cast Steel	IBR 73-80 Gr. B	1
9	Ball	Stainless Steel	ASTM A 276 Type 304	1
10	Drain Valve	Cast Steel	IBR 73-80 Gr. B	1
11	Sleeve Bush	Bronze	IBR 282 (a) (iv) Gr. B	6
12	Sleeve	Moulded Asbestos	---	3
13	Nipple	Stainless Steel	ASTM A 276 Type 410	1
14	Union Nut	Stainless Steel	ASTM A 276 Type 410	1
15	Nut	Carbon Steel	---	3
16	Name Plate	Brass / Aluminium	---	3
17	Bonnet	Stainless Steel	ASTM A 276 Type 410	3
18	Stem	Stainless Steel	ASTM A 276 Type 410	3
19	Lock Nut	Stainless Steel	ASTM A 276 Type 410	3
20	Handle	S.G Iron	IS 1865 / ASTM A 536	3

*Glass Tube is not provided with this product.

Sizes / Dimensions

Size (Inches)	Size (mm)	A
1/2	15	84
3/4	20	99



1092 Cast Steel Parallel Slide Blow Off Valve (Flanged) I.B.R

Salient Features

- Flanged Ends to BS 10 Table 'J'.
- Maintains fluid tightness and is easy in operation because of sliding action of discs.
- Discs are kept in close contact with body rings by means of a spring when the valve is under pressure.
- Premium Quality Lubricated Gland Packing, Bolted Bonnet.
- Valve is operated by means of Rack and Pinion arrangement, in such a manner that valve is opened fully with half turn of the box key.
- Gland forms a locking guard which prevents removal of the key unless the valve is closed.

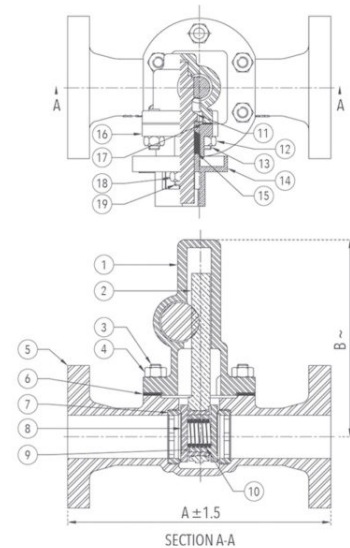
Test Pressure (Hydrostatic) :
Shell : 48 kg/cm²g (700 psig)
Test Pressure (Steam) :
Seat : 24.50 kg/cm²g (350 psig)
Maximum Working Temperature : 425°C

Suitable For

Steam, Water

Materials

P.No.	Name of Part	Material of Construction	Specification	Qty.
1	Bonnet	Cast Steel	IBR 73 - 80 Gr. B	1
2	Rack	Bronze	IBR 282 (a) (iv) Gr. B	1
3	Studs	Alloy Steel	ASTM A 193 Gr. B7	As Reqd.
4	Nuts	H.T Steel	ASTM A 194 Gr. 2H	As Reqd.
5	Body	Cast Steel	IBR 73 - 80 Gr. B	1
6	Gasket	Steam Joining Sheet	IS 2712 Gr. W/3	1
7	Body Seat Ring	Stainless Steel	ASTM A 276 Type 410	1
8	Male Disc	Stainless Steel	ASTM A 276 Type 410	1
9	Female Disc	Stainless Steel	ASTM A 276 Type 410	1
10	Spring	Stainless Steel	IS 4454 Part 4 Gr. 2	1
11	Pinion	Stainless Steel	ASTM A 276 Type 410	1
12	Nuts	H.T Steel	ASTM A 194 Gr. 2H	As Reqd.
13	Studs	Alloy Steel	ASTM A 193 Gr. B7	As Reqd.
14	Gland	Bronze	IBR 282 (a) (iv) Gr. B	1
15	Gland Packing	Braided Graphite	IS 4687	-
16	Stuffing Box	Bronze	IBR 282 (a) (iv) Gr. B	1
17	Gasket	Steam Joining Sheet	IS 2712 Gr. W/3	1
18	Nuts	Alloy Steel	ASTM A 193 Gr. B7	As Reqd.
19	Studs	H.T Steel	ASTM A 194 Gr. 2H	As Reqd.



Sizes / Dimensions

Size (Inches)	Size (mm)	A ±1.5	B ~
1	25	178	180
1 1/4	32	241	190
1 1/2	40	267	220
2	50	305	244

~ ±10