



1087 Bronze Double Regulating Balancing Valve (Screwed) With Nozzle

Salient Features

- Design Standard BS 7350.
- Precise double regulation.
- Tamper proof setting with a lock shield.
- PTFE sealing disc to ensure a proper shut off.
- Provided with Inlet / Outlet pressure test cocks.
- Facilitates system design, hence saves energy.
- Handwheel Operated.
- Easy to install and set.
- Accentuates systematic commissioning of the plant for an optimal operation.



Test Pressure (Hydrostatic) :

Shell : 24 kg/cm²g (340 psig)

Maximum Operating Pressure (Hydrostatic) : 16 Bar at an ambient temperature upto 45°C

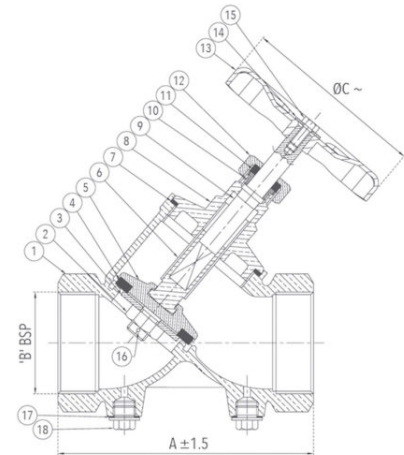
Maximum Working Temperature : 220°C

Suitable For

Water

Materials

P.No.	Name of Part	Material of Construction	Specification	Qty.
1	Body	Bronze	IS 318 Gr. LTB2	1
2	Nut	Brass	IS 6912 Gr. FLB	1
3	Washer	Bronze / Brass	IS 318 Gr. LTB2 / IS 6912 Gr. FLB	1
4	Disc	PTFE	---	1
5	Disc Holder	Bronze	IS 318 Gr. LTB2	1
6	Lower Stem	Bronze / Brass	IS 318 Gr. LTB2 / IS 6912 Gr. FLB	1
7	Gasket / 'O' Ring	PTFE / Nitrile Rubber	---	1
8	Bonnet	Bronze	IS 318 Gr. LTB2	1
9	Upper Stem	Brass	IS 6912 Gr. FLB	1
10	Lock Nut	Bronze / Brass	IS 318 Gr. LTB2 / IS 6912 Gr. FLB	1
11	Washer	PTFE	---	1
12	Gland Nut	Bronze / Brass	IS 318 Gr. LTB2 / IS 6912 Gr. FLB	1
13	Handwheel	Sheet Metal	---	1
14	Washer	Carbon Steel	---	1
15	Bolt	Carbon Steel	IS 1367	1
16	Lock Pin	Brass	---	1
17	Washer	PTFE	---	1
18	Plug	Bronze / Brass	IS 318 Gr. LTB2 / IS 6912 Gr. FLB	1



Sizes / Dimensions

Size (Inches)	Size (mm)	A ±1.5	B	ØC ~
1	25	90	1"	60
1 1/4	32	110	1 1/4"	70
1 1/2	40	120	1 1/2"	80
2	50	150	2"	80



1087A Cast Iron Double Regulating Balancing Valve (Flanged) With Nozzle

Salient Features

- Design Standard BS 7350.
- Precise double regulation.
- Tamper proof setting.
- Handwheel Operated.
- Low noise flow.
- Can be made available with or without drain cocks.
- Flanged ends to BS 4504 Section 3.2 PN 16.
- EPDM Rubber sealing for a soft shut off.

Test Pressure (Hydrostatic) :

Shell : 24 kg/cm²g (340 psig)

Maximum Operating Pressure (Hydrostatic) : 16 Bar at an ambient temperature upto 45°C

Maximum Working Temperature : 110°C

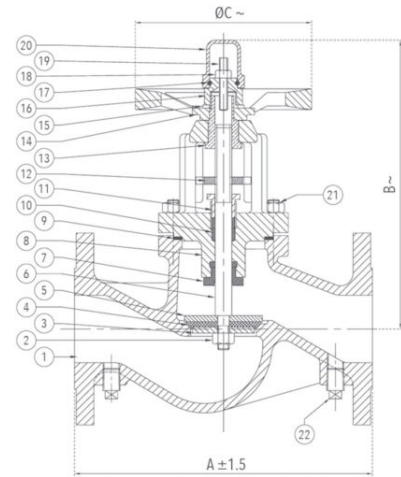


Suitable For

Water

Materials

P.No.	Name of Part	Material of Construction	Specification	Qty.
1	Body	Cast Iron	IS 210 Gr. FG 200	1
2	Nut	Carbon Steel	IS 1367	1
3	Washer	Carbon Steel	---	1
4	Disc Facing	EPDM Rubber	IS 5192 - 1	1
5	Disc Holder	Carbon Steel	---	1
6	Stem	Stainless Steel	ASTM A 276 Type 410.	1
7	Stem Seal	EPDM Rubber	IS 5192 - 1	1
8	Bonnet	Cast Iron	IS 210 Gr. FG 200	1
9	Gasket	Steam Jointing Sheet	IS 2712 Gr. W/3	1
10	Packing	PTFE	BS EN 12086 - 1	-
11	Gland	Stainless Steel	ASTM A 276 Type 410.	1
12	Indicator	Carbon Steel	---	1
13	Sleeve	Aluminium Bronze	BS EN 1982 AB-1	1
14	Handwheel	Cast Iron	IS 210 Gr. FG 200	1
15	Washer	Carbon Steel	---	1
16	Sleeve Nut	Stainless Steel	ASTM A 276 Type 410.	1
17	'O' Ring	Nitrile Rubber	---	1
18	Nut	Carbon Steel	---	1
19	Adjusting Stud	Carbon Steel	---	1
20	End Cap	Cast Iron	IS 210 Gr. FG 200	1
21	Studs & Nuts	Carbon Steel	IS 1367	4 Each
22	Plug	Bronze	IS 318 Gr. LTB2	2



Sizes / Dimensions

Size (Inches)	Size (mm)	A ±1.5	B ~	ØC ~
2 1/2	65	290	286	170
3	80	304	294	170
4	100	350	356	200
5	125	400	380	225
6	150	480	456	285
8	200	600	667	300
10	250	730	673	400
12	300	850	720	400