

1001 Bronze Globe Valve (Screwed)

Salient Features

- Screwed Female Ends to IS 554 / BS 21 / ISO 7.
- Screwed in Bonnet, Inside Screw, Rising Stem, Integral Seat.
- Designed sheet metal handwheel for a firm grip and convenient operation.
- Premium Quality PTFE Gland Packing.
- Medium Pattern.

Test Pressure (Hydrostatic) :
Shell : 20 kg/cm²g (285 psig)
Seat : 13.50 kg/cm²g (192 psig)
Maximum Working Temperature : 225°C

Suitable For

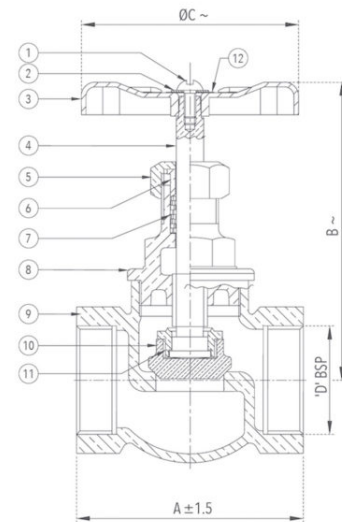
Water, Oil, Air*, Gases*

*Also available with PTFE Seating for Air and Gas applications, at a nominal extra price.



Materials

P.No.	Name of Part	Material of Construction	Specification	Quantity
1	Screw / Bolt	Carbon Steel (Zinc Plated)	---	1
2	Washer	Carbon Steel (Zinc Plated)	---	1
3	Handwheel	Sheet Metal (Powder Coated)	---	1
4	Stem	Forged Brass	IS 6912 Gr. FLB	1
5	Gland Nut	Forged Brass	IS 6912 Gr. FLB	1
6	Gland	Forged Brass	IS 6912 Gr. FLB	1
7	Gland Packing	PTFE	---	-
8	Bonnet	Bronze	IS 318 Gr. LTB2	1
9	Body	Bronze	IS 318 Gr. LTB2	1
10	Disc	Bronze	IS 318 Gr. LTB2	1
11	Disc Nut	Bronze	IS 318 Gr. LTB2	1
12	Name Plate	Aluminium	---	1



Sizes / Dimensions

Size (Inches)	Size (mm)	A ±1.5	B ~	ØC ~	D
1/4	8	33	60	50	1/4"
3/8	10	37	60	50	3/8"
1/2	15	45	70	60	1/2"
3/4	20	53	85	65	3/4"
1	25	57	93	70	1"
1 1/4	32	71	109	80	1 1/4"
1 1/2	40	80	117	90	1 1/2"
2	50	86	137	110	2"
2 1/2	65	107	154	120	2 1/2"
3	80	123	184	140	3"
4	100	159	224	160	4"

~ ±10

1001A Bronze Angle Globe Valve No.4 (Screwed)

Salient Features

- Angle Pattern.
- Screwed Female Ends to IS 554 / BS 21 / ISO 7.
- Screwed in Bonnet, Inside Screw, Rising Stem, Integral Seat.
- Designed sheet metal handwheel for a firm grip and convenient operation.
- Premium Quality PTFE Gland Packing.
- Medium Pattern.

Test Pressure (Hydrostatic) :
Shell : 24 kg/cm²g (340 psig)
Seat : 16 kg/cm²g (225 psig)
Maximum Working Temperature : 225°C

Suitable For

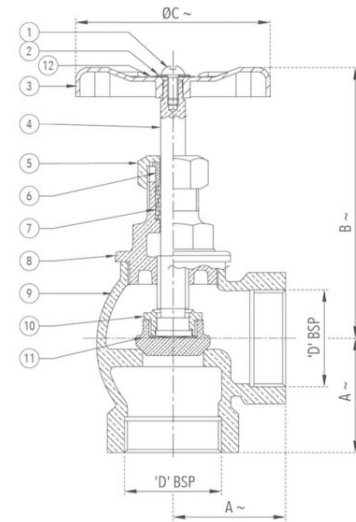
Water, Oil, Air*, Gases*

*Also available with PTFE Seating for Air and Gas applications, at a nominal extra price.



Materials

P.No.	Name of Part	Material of Construction	Specification	Quantity
1	Screw / Bolt	Carbon Steel (Zinc Plated)	---	1
2	Washer	Carbon Steel (Zinc Plated)	---	1
3	Handwheel	Sheet Metal (Powder Coated)	---	1
4	Stem	Forged Brass	IS 6912 Gr. FLB	1
5	Gland Nut	Forged Brass	IS 6912 Gr. FLB	1
6	Gland	Forged Brass	IS 6912 Gr. FLB	1
7	Gland Packing	PTFE	---	-
8	Bonnet	Bronze	IS 318 Gr. LTB2	1
9	Body	Bronze	IS 318 Gr. LTB2	1
10	Disc Nut	Bronze	IS 318 Gr. LTB2	1
11	Disc	Bronze	IS 318 Gr. LTB2	1
12	Name Plate	Aluminium	---	1



Sizes / Dimensions

Size (Inches)	Size (mm)	A ~	B ~	ØC ~	D
1/2	15	29	75	60	1/2"
3/4	20	35	82	65	3/4"
1	25	43	90	70	1"
1 1/4	32	47	115	80	1 1/4"
1 1/2	40	54	125	90	1 1/2"
2	50	66	143	110	2"

~ ±10

1002 Bronze Globe Valve No.5 (Screwed)

Salient Features

- Screwed Female Ends to IS 554 / BS 21 / ISO 7.
- Screwed in Bonnet, Inside Screw, Rising Stem, Integral Seat.
- Designed sheet metal handwheel for a firm grip and convenient operation.
- Provision for re-packing under pressure.
- Premium Quality PTFE Gland Packing.
- Heavy Pattern.

Test Pressure (Hydrostatic) :
Shell : 35 kg/cm²g (500 psig)
Seat : 20 kg/cm²g (285 psig)
Maximum Working Temperature : 225°C

Suitable For

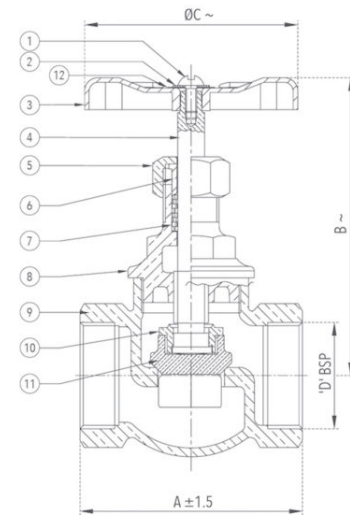
Water, Oil, Air*, Gases*

*Also available with PTFE Seating for Air and Gas applications, at a nominal extra price.



Materials

P.No.	Name of Part	Material of Construction	Specification	Quantity
1	Screw / Bolt	Carbon Steel (Zinc Plated)	---	1
2	Washer	Carbon Steel (Zinc Plated)	---	1
3	Handwheel	Sheet Metal (Powder Coated)	---	1
4	Stem	Forged Brass	IS 6912 Gr. FLB	1
5	Gland Nut	Forged Brass	IS 6912 Gr. FLB	1
6	Gland	Forged Brass	IS 6912 Gr. FLB	1
7	Gland Packing	PTFE	---	-
8	Bonnet	Bronze	IS 318 Gr. LTB2	1
9	Body	Bronze	IS 318 Gr. LTB2	1
10	Disc Nut	Bronze	IS 318 Gr. LTB2	1
11	Disc	Bronze	IS 318 Gr. LTB2	1
12	Name Plate	Aluminium	---	1



Sizes / Dimensions

Size (Inches)	Size (mm)	A ± 1.5	B ~	ØC ~	D
1/4	8	34	58	60	1/4"
3/8	10	41	72	60	3/8"
1/2	15	55	90	60	1/2"
3/4	20	65	103	65	3/4"
1	25	82	119	70	1"
1 1/4	32	88	136	70	1 1/4"
1 1/2	40	98	147	102	1 1/2"
2	50	120	162	110	2"
2 1/2	65	133	189	130	2 1/2"
3	80	160	215	164	3"

~ ±10

1003 Bronze Globe Valve No.8 (Flanged)

Salient Features

- Flanged Ends to BS 10 Table 'D'.
- Screwed in Bonnet, Inside Screw, Rising Stem, Integral Seat.
- Designed sheet metal handwheel for a firm grip and convenient operation.
- Premium Quality PTFE Gland Packing.
- Medium Pattern.

Test Pressure (Hydrostatic) :
Shell : 24 kg/cm²g (340 psig)
Seat : 16 kg/cm²g (225 psig)
Maximum Working Temperature : 225°C

Suitable For

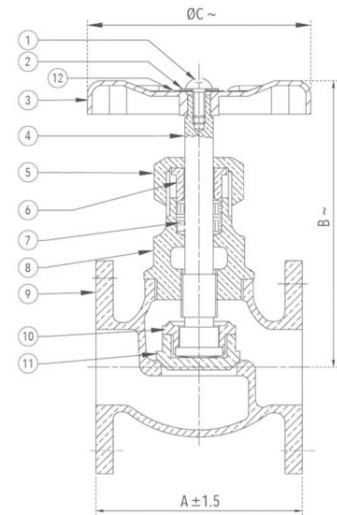
Water, Oil, Air*, Gases*

*Also available with PTFE Seating for Air and Gas applications, at a nominal extra price.



Materials

P.No.	Name of Part	Material of Construction	Specification	Quantity
1	Screw / Bolt	Carbon Steel (Zinc Plated)	---	1
2	Washer	Carbon Steel (Zinc Plated)	---	1
3	Handwheel	Sheet Metal (Powder Coated)	---	1
4	Stem	Forged Brass	IS 6912 Gr. FLB	1
5	Gland Nut	Forged Brass	IS 6912 Gr. FLB	1
6	Gland	Forged Brass	IS 6912 Gr. FLB	1
7	Gland Packing	PTFE	---	-
8	Bonnet	Bronze	IS 318 Gr. LTB2	1
9	Body	Bronze	IS 318 Gr. LTB2	1
10	Disc Nut	Bronze	IS 318 Gr. LTB2	1
11	Disc	Bronze	IS 318 Gr. LTB2	1
12	Name Plate	Aluminium	---	1



Sizes / Dimensions

Size (Inches)	Size (mm)	A ±1.5	B ~	ØC ~
1/2	15	53	85	50
3/4	20	67	90	57
1	25	80	98	62
1 1/4	32	85	115	76
1 1/2	40	91	127	80
2	50	106	140	86

~ ±10

NOTE : Also available with Open-Shut indicator and locking device at a nominal extra price.

1005 Bronze Needle Valve (Screwed)

Salient Features

- Screwed Female Ends to IS 554 / BS 21 / ISO 7.
- Screwed in Bonnet, Inside Screw, Rising Stem, Integral Seat.
- Designed sheet metal handwheel for a firm grip and convenient operation.
- Needle Type Spindle Seating.
- Premium Quality PTFE Gland Packing.
- Medium Pattern.

Test Pressure (Hydrostatic) :
Shell : 24 kg/cm²g (340 psig)
Seat : 16 kg/cm²g (225 psig)
Maximum Working Temperature : 225°C

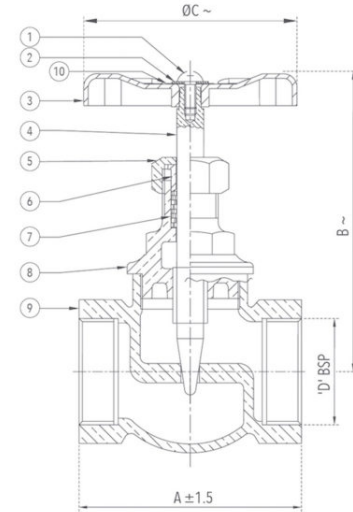
Suitable For

Air, Gases



Materials

P.No.	Name of Part	Material of Construction	Specification	Quantity
1	Screw / Bolt	Carbon Steel (Zinc Plated)	---	1
2	Washer	Carbon Steel (Zinc Plated)	---	1
3	Handwheel	Sheet Metal (Powder Coated)	---	1
4	Stem	Forged Brass	IS 6912 Gr. FLB	1
5	Gland Nut	Forged Brass	IS 6912 Gr. FLB	1
6	Gland	Forged Brass	IS 6912 Gr. FLB	1
7	Gland Packing	PTFE	---	-
8	Bonnet	Bronze	IS 318 Gr. LTB2	1
9	Body	Bronze	IS 318 Gr. LTB2	1
10	Name Plate	Aluminium	---	1



Sizes / Dimensions

Size (Inches)	Size (mm)	A ±1.5	B ~	ØC ~	D
1/2	15	48	85	60	1/2"
3/4	20	55	92	65	3/4"
1	25	65	100	70	1"
1 1/4	32	77	110	80	1 1/4"
1 1/2	40	90	125	90	1 1/2"
2	50	102	142	110	2"

~ ±10

1013 Bronze Horizontal Check Valve No.9 (Screwed)

Salient Features

- Screwed Female Ends to IS 554 / BS 21 / ISO 7.
- Screwed on Bonnet.
- Permits flow in one direction and closes automatically if the flow reverses.
- Renewable 13% Cr. Stainless Steel (S.S 410) working parts.
- Metal Disc is mushroom shaped with spherical seating surface.
- Meant for Horizontal Lines Only.
- Disc is guided in Bonnet.

Test Pressure (Hydrostatic) :
Shell : 35 kg/cm²g (500 psig)
Working Pressure (Steam) : 10.55 kg/cm²g (150 psig)
Maximum Working Temperature : 225°C

Suitable For

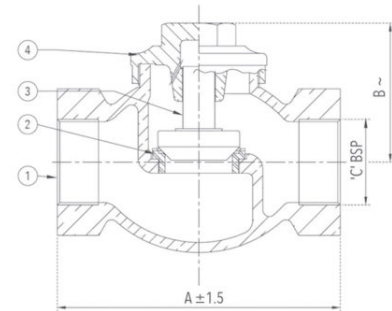
Steam, Water, Oil, Air*, Gases*

*Also available with PTFE Seating for Air and Gas applications, at a nominal extra price.



Materials

P.No.	Name of Part	Material of Construction	Specification	Quantity
1	Body	Bronze	IS 318 Gr. LTB 2	1
2	Body Seat Ring	Stainless Steel	ASTM A276 Type 410	1
3	Disc	Stainless Steel	ASTM A276 Type 410	1
4	Bonnet	Bronze	IS 318 Gr. LTB 2	1



Sizes / Dimensions

Size (Inches)	Size (mm)	A ± 1.5	B ~	C
1/4	8	60	40	1/4"
3/8	10	60	43	3/8"
1/2	15	68	48	1/2"
3/4	20	84	50	3/4"
1	25	95	61	1"
1 1/4	32	106	72	1 1/4"
1 1/2	40	120	84	1 1/2"
2	50	146	93	2"
2 1/2	65	180	109	2 1/2"
3	80	200	121	3"
4	100	248	146	4"

~ ±10

1014 Bronze Horizontal Check Valve No.9 (Flanged)

Salient Features

- Flanged Ends to BS 10 Table 'F'.
- Screwed on Bonnet.
- Permits flow in one direction and closes automatically if the flow reverses.
- Renewable 13% Cr. Stainless Steel (S.S 410) working parts.
- Metal Disc is mushroom shaped with spherical seating surface.
- Meant for Horizontal Lines Only.
- Disc is guided in Bonnet.

Test Pressure (Hydrostatic) :
Shell : 35 kg/cm²g (500 psig)
Working Pressure (Steam) : 10.55 kg/cm²g (150 psig)
Maximum Working Temperature : 225°C

Suitable For

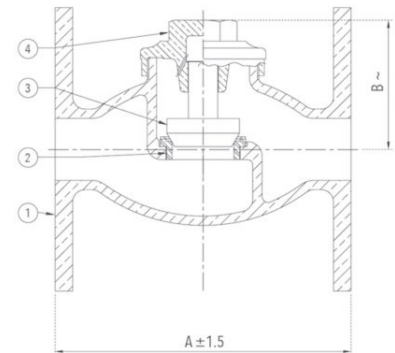
Steam, Water, Oil, Air*, Gases*

*Also available with PTFE Seating for Air and Gas applications, at a nominal extra price.



Materials

P.No.	Name of Part	Material of Construction	Specification	Quantity
1	Body	Bronze	IS 318 Gr. LTB 2	1
2	Body Seat Ring	Stainless Steel	ASTM A276 Type 410	1
3	Disc	Stainless Steel	ASTM A276 Type 410	1
4	Bonnet	Bronze	IS 318 Gr. LTB 2	1



Sizes / Dimensions

Size (Inches)	Size (mm)	A ±1.5	B ~
1/2	15	82	48
3/4	20	96	50
1	25	112	61
1 1/4	32	119	72
1 1/2	40	132	84
2	50	157	93
2 1/2	65	185	109
3	80	213	121
4	100	248	146

~ ±10

1031 Bronze Union Bonnet Globe Valve (Screwed)

Salient Features

- Screwed Female Ends to IS 554 / BS 21 / ISO 7.
- Screwed on Bonnet, Rising Stem.
- Provision for re-packing under pressure.
- Renewable 13% Cr. Stainless Steel (S.S 410) working parts.
- Handwheel Operated.

Test Pressure (Hydrostatic) :

Shell : 35 kg/cm²g (500 psig)

Working Pressure (Steam) : 10.55 kg/cm²g (150 psig)

Maximum Working Temperature : 225°C

Suitable For

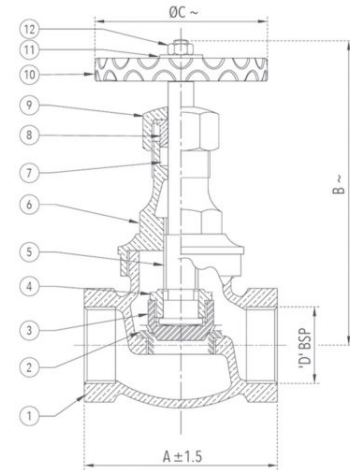
Steam, Water, Oil, Air*, Gases*

*Also available with PTFE Seating for Air and Gas applications, at a nominal extra price.



Materials

P.No.	Name of Part	Material of Construction	Specification	Quantity
1	Body	Bronze	IS 318 Gr. LTB 2	1
2	Body Seat Ring	Stainless Steel	ASTM A276 Type 410	1
3	Disc	Stainless Steel	ASTM A276 Type 410	1
4	Disc Nut	Bronze	IS 318 Gr. LTB 2	1
5	Stem	Stainless Steel	ASTM A276 Type 410	1
6	Bonnet	Bronze	IS 318 Gr. LTB 2	1
7	Gland Packing	Asbestos	---	-
8	Gland	Bronze	IS 318 Gr. LTB 2	1
9	Gland Nut	Bronze	IS 318 Gr. LTB 2	1
10	Handwheel	Cast Iron	IS 210 Gr. FG 200	1
11	Washer	Carbon Steel	---	1
12	Nut	Carbon Steel	---	1



Sizes / Dimensions

Size (Inches)	Size (mm)	A ±1.5	B ~	ØC ~	D
1/4	8	60	110	70	1/4"
3/8	10	60	110	70	3/8"
1/2	15	68	117	70	1/2"
3/4	20	84	132	80	3/4"
1	25	95	148	86	1"
1 1/4	32	106	176	102	1 1/4"
1 1/2	40	120	188	115	1 1/2"
2	50	146	216	127	2"
2 1/2	65	180	248	170	2 1/2"
3	80	200	270	170	3"
4	100	248	332	190	4"

~ ±10

1032 Bronze Union Bonnet Globe Valve (Flanged)

Salient Features

- Flanged Ends to BS 10 Table 'F'.
- Screwed on Bonnet, Rising Stem.
- Provision for re-packing under pressure.
- Renewable 13% Cr. Stainless Steel (S.S 410) working parts.
- Handwheel Operated.

Test Pressure (Hydrostatic) :

Shell : 35 kg/cm²g (500 psig)

Working Pressure (Steam) : 10.55 kg/cm²g (150 psig)

Maximum Working Temperature : 225°C

Suitable For

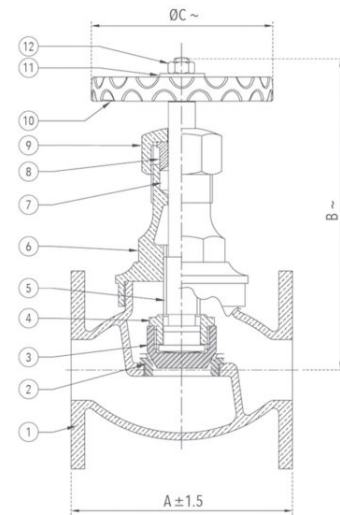
Steam, Water, Oil, Air*, Gases*

*Also available with PTFE Seating for Air and Gas applications, at a nominal extra price.



Materials

P.No.	Name of Part	Material of Construction	Specification	Quantity
1	Body	Bronze	IS 318 Gr. LTB 2	1
2	Body Seat Ring	Stainless Steel	ASTM A276 Type 410	1
3	Disc	Stainless Steel	ASTM A276 Type 410	1
4	Disc Nut	Bronze	IS 318 Gr. LTB 2	1
5	Stem	Stainless Steel	ASTM A276 Type 410	1
6	Bonnet	Bronze	IS 318 Gr. LTB 2	1
7	Gland Packing	Asbestos	---	-
8	Gland	Bronze	IS 318 Gr. LTB 2	1
9	Gland Nut	Bronze	IS 318 Gr. LTB 2	1
10	Hand Wheel	Cast Iron	IS 210 Gr. FG 200	1
11	Washer	Carbon Steel	---	1
12	Nut	Carbon Steel	---	1



Sizes / Dimensions

Size (Inches)	Size (mm)	A ±1.5	B ~	ØC ~
1/2	15	82	117	70
3/4	20	96	132	80
1	25	112	148	86
1 1/4	32	119	176	102
1 1/2	40	132	188	115
2	50	157	216	127
2 1/2	65	185	248	170
3	80	213	270	170
4	100	248	332	190

~ ±10

1053A Forged Brass Y-Type Strainer (Screwed) PN 25

Salient Features

- Screwed Female Ends to BSP.
- Stainless Steel (S.S 304) Ø1 mm perforated sheet screen is guided in the body and cover.
- Fine finish and smooth contours reduce pressure drop in the strainer.
- Large screening area makes the strainer efficient in performance.

Test Pressure (Hydrostatic) :

Shell : 35 kg/cm²g (500 psig)

Working Pressure : 25 kg/cm²g (350 psig)

Suitable For

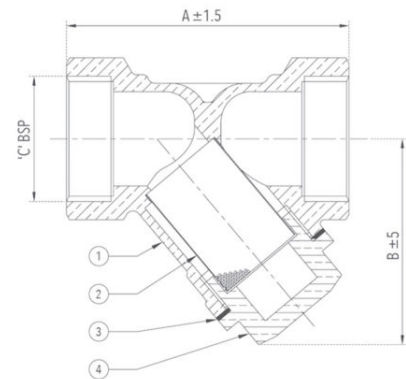
Steam*, Water, Oil, Air*, Gases*

*Suitable for pressure upto 6.9 kg/cm²g (100 psig)



Materials

P.No.	Name of Part	Material of Construction	Specification	Quantity
1	Body	Forged Brass	IS 6912 Gr. FLB	1
2	Screen (Ø1 mm Perforation)	Stainless Steel	Type 304	1
3	Gasket	PTFE	BS EN 12086-1	1
4	Cover	Forged Brass	IS 6912 Gr. FLB	1



Sizes / Dimensions

Size (Inches)	Size (mm)	A ± 1.5	B ± 5	C
1/2	15	54	45	1/2"
3/4	20	67.5	56	3/4"
1	25	75	56	1"
1 1/4	32	94	73	1 1/4"
1 1/2	40	100	80	1 1/2"
2	50	126	99	2"

1074 Forged Steel Globe Valve, Class-800 (Standard Bore) I.B.R.

Salient Features

- Design Standard API 602 / BSEN ISO 15761 (BS 5352).
- Body and Bonnet are Phosphated, to ensure maximum resistance from rust.
- Bolted Bonnet, Outside Screw, Yoke Type, Rising Stem.
- Screwed Female Ends to BSPT / NPT / Socket Welded to ANSI B16.11.

Test Pressure :

Shell (Hydrostatic) : 207 bar (3000 psig)

Seat & Back Seat(Hydrostatic) : 152 bar (2200 psig)

Seat (Pneumatic) : 6.9 bar (100 psig)

Maximum Working Temperature : 425°C

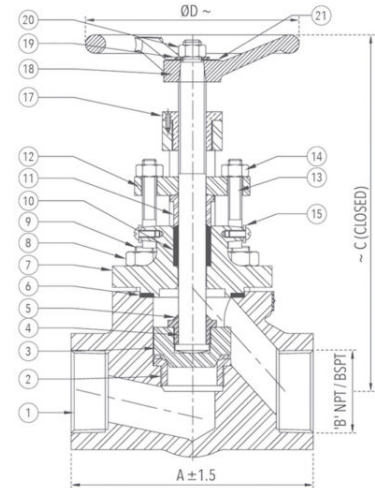
Suitable For

Steam, Water, Oil, Air, Gases



Materials

P.No.	Name of Part	Material of Construction	Specification	Qty.
1	Body	Forged Carbon Steel	ASTM A 105	1
2	Body Seat Ring	Stainless Steel	ASTM A 276 Type 410 / ASTM A 182 Gr. F6a	1
3	Disc	Stainless Steel	ASTM A 276 Type 410	1
4	Stem	Stainless Steel	ASTM A 276 Type 410 / ASTM A 182 Gr. F6a	1
5	Check Nut	Stainless Steel	ASTM A 276 Type 410	1
6	Gasket	Spiral Wound S.S (Type 316) Graphite Filled	---	1
7	Bonnet	Forged Carbon Steel	ASTM A 105	1
8	Bonnet Nut	Alloy Steel	ASTM A 194 Gr. 2H	4
9	Stud	Alloy Steel	ASTM A 193 Gr. B7	4
10	Gland Packing	Non Asbestos Graphite With Corrosion Inhibitor	---	
11	Gland	Stainless Steel	ASTM A 276 Type 410	1
12	Gland Flange	Carbon Steel	---	1
13	Eye Bolt	Stainless Steel	ASTM A 276 Type 410 / ASTM A 182 Gr. F6a	2
14	Nut	Alloy Steel	ASTM A 194 Gr. 2H	2
15	Washer	Carbon Steel	---	2
16	Screw	Carbon Steel	---	2
17	Yoke Bush	Aluminium Bronze	BS EN 1982 AB - 1	1
18	Handwheel	Ductile Iron	ASTM A536 / IS 1865	1
19	Washer	Carbon Steel	---	1
20	Handwheel Nut	Carbon Steel	---	1
21	Identification Plate	Aluminium	---	1



Sizes / Dimensions

Size (Inches)	Size (mm)	A ± 1.5	B	C ~	ØD ~
1/2	15	85	1/2"	156	95
3/4	20	86	3/4"	156	95
1	25	101	1"	183	95
1 1/4	32	140	1 1/4"	250	155
1 1/2	40	140	1 1/2"	250	155
2	50	164	2"	250	155

~ ±10

1074A Forged Steel Globe Valve, Class-800 (Full Bore)

I.B.R

Salient Features

- Design Standard API 602 / BS EN ISO 15761 (BS 5352).
- Body and Bonnet are Phosphated, to ensure maximum resistance from rust.
- Bolted Bonnet, Outside Screw, Yoke Type, Rising Stem.
- Screwed Female Ends to BSPT / NPT / Socket Welded to ANSI B16.11.

Test Pressure :

Shell (Hydrostatic) : 207 bar (3000 psig)

Seat & Back Seat(Hydrostatic) : 152 bar (2200 psig)

Seat (Pneumatic) : 6.9 bar (100 psig)

Maximum Working Temperature : 425°C

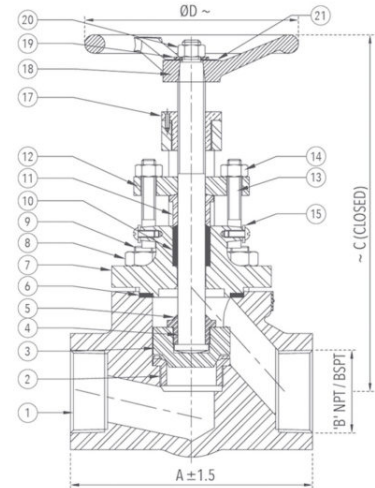
Suitable For

Steam, Water, Oil, Air, Gases



Materials

P.No.	Name of Part	Material of Construction	Specification	Qty.
1	Body	Forged Carbon Steel	ASTM A 105	1
2	Body Seat Ring	Stainless Steel	ASTM A 276 Type 410 / ASTM A 182 Gr. F6a	1
3	Disc	Stainless Steel	ASTM A 276 Type 410	1
4	Stem	Stainless Steel	ASTM A 276 Type 410 / ASTM A 182 Gr. F6a	1
5	Check Nut	Stainless Steel	ASTM A 276 Type 410	1
6	Gasket	Spiral Wound S.S (Type 316) Graphite Filled	---	1
7	Bonnet	Forged Carbon Steel	ASTM A 105	1
8	Bonnet Nut	Alloy Steel	ASTM A 194 Gr. 2H	4
9	Stud	Alloy Steel	ASTM A 193 Gr. B7	4
10	Gland Packing	Non Asbestos Graphite With Corrosion Inhibitor	---	
11	Gland	Stainless Steel	ASTM A 276 Type 410	1
12	Gland Flange	Carbon Steel	---	1
13	Eye Bolt	Stainless Steel	ASTM A 276 Type 410 / ASTM A 182 Gr. F6a	2
14	Nut	Alloy Steel	ASTM A 194 Gr. 2H	2
15	Washer	Carbon Steel	---	2
16	Screw	Carbon Steel	---	2
17	Yoke Bush	Aluminium Bronze	BS EN 1982 AB - 1	1
18	Handwheel	Ductile Iron	ASTM A536 / IS 1865	1
19	Washer	Carbon Steel	---	1
20	Handwheel Nut	Carbon Steel	---	1
21	Identification Plate	Aluminium	---	1



Sizes / Dimensions

Size (Inches)	Size (mm)	A ± 1.5	B	C ~	ØD ~
3/8	10	85	3/8"	156	95
1/2	15	86	1/2"	156	95
3/4	20	101	3/4"	183	95
1	25	140	1"	250	155
1 1/4	32	140	1 1/4"	250	155
1 1/2	40	164	1 1/2"	250	155

~ ±10

1080A Stainless Steel (CF8M / S.S 316) Three Piece Design Ball Valve, Class-150 (Screwed)

Salient Features

- Design Standard BS EN ISO 17292 (BS 5351).
- Screwed Female Ends to BSPT / NPT / Socket Weld.
- Reduced Bore, Three Piece Design.
- Superb in Quality and Performance.

Test Pressure (Hydrostatic) :

Shell : 31 kg/cm²g (440 psig)

Maximum Working Pressure : 21 kg/cm²g (300 psig)

Seat (Pneumatic) : 7kg/cm²g (100 psig)

Maximum Working Temperature : 220°C

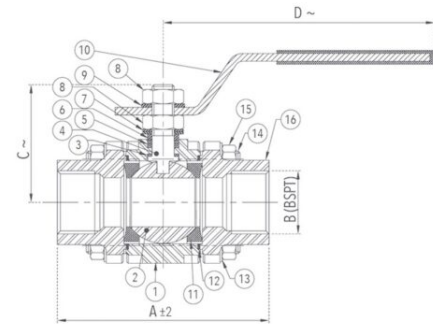
Suitable For

Steam, Water, Oil, Air, Gases



Materials

P.No.	Name of Part	Material of Construction	Specification	Qty.
1	Body	Stainless Steel	ASTM A 351 Gr. CF8M	1
2	Ball	Stainless Steel	ASTM A276 Type 316 / ASTM A 351 Gr. CF8M	1
3	Thrust Washer	PTFE 35% Carbon Filled	---	1
4	Stem	Stainless Steel	ASTM A276 Type 316	1
5	Packing Ring	PTFE 35% Carbon Filled	---	2
6	Gland	Stainless Steel	ASTM A276 Type 304	1
7	Cup Washer	Stainless Steel	ASTM A276 Type 304	2
8	Nut	H.T. Steel	ASTM A 194 Gr. 2H	2
9	Spring Washer	Spring Steel	EN 47 Gr. B	1
10	Lever	Carbon Steel	---	1
11	Body Seat Ring	PTFE	---	2
12	Gasket	PTFE	---	2
13	Spring Washer	Spring Steel	EN 47 Gr. B	8
14	Studs	Alloy Steel	ASTM A 193 Gr. B7	4
15	Nuts	H.T Steel	ASTM A 194 Gr. 2H	8
16	End Connector	Stainless Steel	ASTM A 351 Gr. CF8M	2



Sizes / Dimensions

Size (Inches)	Size (mm)	A ±2	B	C ~	D ~
1/2	15	69	1/2"	38	112
3/4	20	73	3/4"	40	125
1	25	95	1"	57	168
1 1/4	32	105	1 1/4"	65	168
1 1/2	40	115	1 1/2"	75	177
2	50	128	2"	80	220

~ ±10

1080B Stainless Steel (CF8M / S.S 316) Three Piece Design Ball Valve, Class-150 (Flanged)

Salient Features

- Design Standard BS EN ISO 17292 (BS 5351).
- Flanged Ends to ASME B B16.5 Class - 150 (Drilled).
- Three Piece Design.
- Superb in Quality and Performance.

Test Pressure (Hydrostatic) :

Shell : 31 kg/cm²g (440 psig)

Maximum Working Pressure : 21 kg/cm²g (300 psig)

Seat (Pneumatic) : 7 kg/cm²g (100 psig)

Maximum Working Temperature : 220°C

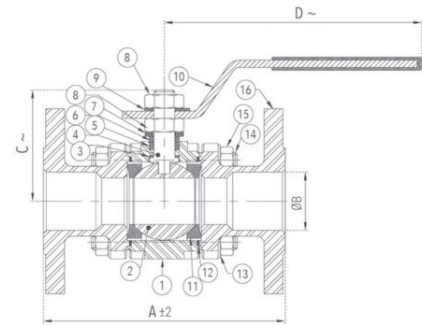
Suitable For

Steam, Water, Oil, Air, Gases



Materials

P.No.	Name of Part	Material of Construction	Specification	Qty.
1	Body	Stainless Steel	ASTM A 351 Gr. CF8M	1
2	Ball	Stainless Steel	ASTM A 276 Type 316 / ASTM A 351 Gr. CF8M	1
3	Thrust Washer	PTFE 35% Carbon Filled	---	1
4	Stem	Stainless Steel	ASTM A 276 Type 316	1
5	Packing Ring	PTFE 35% Carbon Filled	---	2
6	Gland	Stainless Steel	ASTM A 276 Type 316	1
7	Cup Washer	Stainless Steel	AISI A276 Type 316	2
8	Nut	H.T. Steel	ASTM A 194 Gr. 2H	2
9	Spring Washer	Spring Steel	EN 47 Gr. B	1
10	Lever	Carbon Steel	---	1
11	Body Seat Ring	PTFE	---	2
12	Gasket	PTFE	---	2
13	Spring Washer	Spring Steel	EN 47 Gr. B	8
14	Studs	Alloy Steel	ASTM A 193 Gr. B7	4
15	Nuts	H.T Steel	ASTM A 194 Gr. 2H	8
16	End Connector	Stainless Steel	ASTM A 351 Gr. CF8M	2



Sizes / Dimensions

Size (Inches)	Size (mm)	A ±2	B	C ~	D ~
1/2	15	108	15	38	150
3/4	20	117	20	40	150
1	25	127	25	57	160
1 1/4	32	140	32	65	160
1 1/2	40	165	40	75	202
2	50	178	50	75	202
2 1/2*	65	191	63.5	125	250
3*	80	203	76	137	335
4*	100	229	100	158	335

~ ±10

*Full Bore

1081 Stainless Steel (CF8 / S.S 304) Three Piece Design Ball Valve, Class-150 (Screwed)

Salient Features

- Design Standard BS EN ISO 17292 (BS 5351).
- Screwed Female Ends to BSPT / NPT / Socket Weld.
- Reduced Bore, Three Piece Design.
- Superb in Quality and Performance.

Test Pressure (Hydrostatic) :

Shell : 31 kg/cm²g (440 psig)

Maximum Working Pressure : 21 kg/cm²g (300 psig)

Seat (Pneumatic) : 7kg/cm²g (100 psig)

Maximum Working Temperature : 220°C

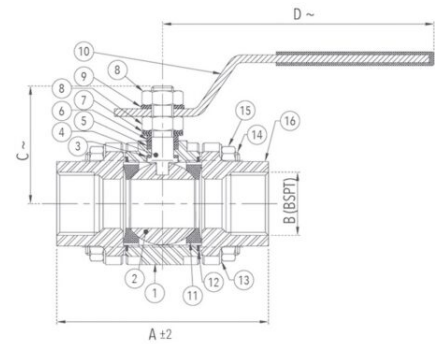
Suitable For

Steam, Water, Oil, Air, Gases



Materials

P.No.	Name of Part	Material of Construction	Specification	Qty.
1	Body	Stainless Steel	ASTM A 351 Gr. CF8	1
2	Ball	Stainless Steel	ASTM A276 Type 304 / ASTM A 351 Gr. CF8	1
3	Thrust Washer	PTFE 35% Carbon Filled	---	1
4	Stem	Stainless Steel	ASTM A276 Type 316	1
5	Packing Ring	PTFE 35% Carbon Filled	---	2
6	Gland	Stainless Steel	ASTM A276 Type 304	1
7	Cup Washer	Stainless Steel	ASTM A276 Type 304	2
8	Nut	H.T Steel	ASTM A 194 Gr. 2H	2
9	Spring Washer	Spring Steel	EN 47 Gr. B	1
10	Lever	Carbon Steel	---	1
11	Body Seat Ring	PTFE	---	2
12	Gasket	PTFE	---	2
13	Spring Washer	Spring Steel	EN 47 Gr. B	8
14	Studs	Alloy Steel	ASTM A 193 Gr. B7	4
15	Nuts	H.T Steel	ASTM A 194 Gr. 2H	8
16	End Connector	Stainless Steel	ASTM A 351 Gr. CF8	2



Sizes / Dimensions

Size (Inches)	Size (mm)	A ±2	B	C ~	D ~
1/2	15	69	1/2"	38	112
3/4	20	73	3/4"	40	125
1	25	95	1"	57	168
1 1/4	32	105	1 1/4"	65	168
1 1/2	40	115	1 1/2"	75	177
2	50	128	2"	80	220

~ ±10

1081A Stainless Steel (CF8 / S.S-304) Three Piece Design Ball Valve, Class-150 (Flanged)

Salient Features

- Design Standard BS EN ISO 17292 (BS 5351).
- Flanged Ends to ASME B B16.5 Class-150 (Drilled).
- Three Piece Design.
- Superb in Quality and Performance.

Test Pressure (Hydrostatic) :

Shell : 31 kg/cm²g (440 psig)

Maximum Working Pressure : 21 kg/cm²g (300 psig)

Seat (Pneumatic) : 7 kg/cm²g (100 psig)

Maximum Working Temperature : 220°C

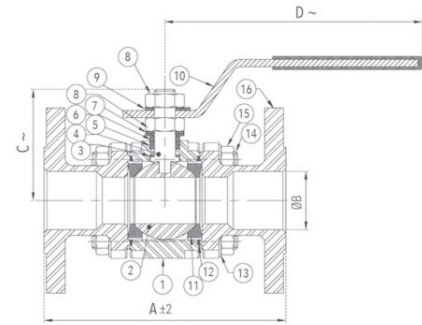
Suitable For

Steam, Water, Oil, Air, Gases



Materials

P.No.	Name of Part	Material of Construction	Specification	Qty.
1	Body	Stainless Steel	ASTM A 351 Gr. CF8	1
2	Ball	Stainless Steel	ASTM A 276 Type 304 / ASTM A 351 Gr. CF8	1
3	Thrust Washer	PTFE 35% Carbon Filled	---	1
4	Stem	Stainless Steel	ASTM A 276 Type 316	1
5	Packing Ring	PTFE 35% Carbon Filled	---	2
6	Gland	Stainless Steel	ASTM A 276 Type 304	1
7	Cup Washer	Stainless Steel	AISI A276 Type 304	2
8	Nut	H.T Steel	ASTM A 194 Gr. 2H	2
9	Spring Washer	Spring Steel	EN 47 Gr. B	1
10	Lever	Carbon Steel	---	1
11	Body Seat Ring	PTFE	---	2
12	Gasket	PTFE	---	2
13	Spring Washer	Spring Steel	EN 47 Gr. B	8
14	Studs	Alloy Steel	ASTM A 193 Gr. B7	4
15	Nuts	H.T Steel	ASTM A 194 Gr. 2H	8
16	End Connector	Stainless Steel	ASTM A 351 Gr. CF8	2



Sizes / Dimensions

Size (Inches)	Size (mm)	A ±2	B	C ~	D ~
1/2	15	108	15	38	150
3/4	20	117	20	40	150
1	25	127	25	57	160
1 1/4	32	140	32	65	160
1 1/2	40	165	40	75	202
2	50	178	50	80	202
2 1/2*	65	191	63.5	125	250
3*	80	203	76	137	335
4*	100	229	100	158	335

~ ±10

*Full Bore

1094 Bronze Spring Loaded Safety Relief Valve, Open Discharge (Screwed)

Salient Features

- Screwed Male End to IS 554 / BS 21 / ISO 7.
- Open Discharge Type.
- Metal to Rubber contact seating.

Test Pressure (Hydrostatic) :

Shell : 21.10 kg/cm²g (300 psig)

Seat : 10.55 kg/cm²g (150 psig)

Set Pressure Range : 0 - 10 kg/cm²g (Max.)

Maximum Working Temperature : 80°C

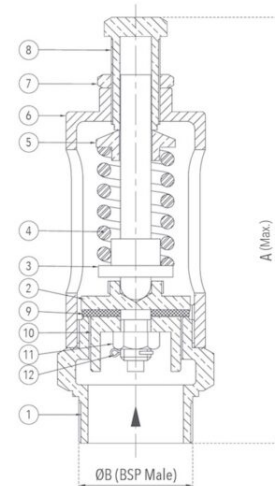
Suitable For

Water, Oil, Air



Materials

P.No.	Name of Part	Material of Construction	Specification	Qty.
1	Body	Bronze / Forged Brass	IS 318 Gr. LTB 2 / IS 6912 Gr. FLB	1
2	Disc	Bronze	IS 318 Gr. LTB 2	1
3	Stem	Bronze	IS 318 Gr. LTB 2	1
4	Spring	Spring Steel	EN 47 Gr. B	1
5	Spring Disc	Bronze	IS 318 Gr. LTB 2	1
6	Chamber	Bronze	IS 318 Gr. LTB 2	1
7	Check Nut	Bronze	IS 318 Gr. LTB 2	1
8	Adjusting Screw	Bronze	IS 318 Gr. LTB 2	1
9	Disc Facing	Nitrile Rubber	IS 5192 - 1	1
10	Guide	Bronze	IS 318 Gr. LTB 2	1
11	Nut	Brass	---	1
12	Split Pin	Brass	---	1



Sizes / Dimensions

Size (Inches)	Size (mm)	A (Max.)	B
1/2*	15*	170	1/2"
3/4*	20*	170	3/4"
1*	25*	190	1"
1 1/4	32	203	1 1/4"
1 1/2	40	225	1 1/2"
2	50	265	2"

* For size 15, 20 & 25 the body is of Forged Brass

NOTE : Also available in Metal to Metal contact seating.

1094A Bronze Spring Loaded Safety Relief Valve, Enclosed Discharge (Screwed)

Salient Features

- Screwed Male End to IS 554 / BS 21 / ISO7.
- Enclosed Discharge Type.
- Metal to Rubber contact seating.

Test Pressure (Hydrostatic) :

Shell : 21.10 kg/cm²g (300 psig)

Seat : 10.55 kg/cm²g (150 psig)

Set Pressure Range : 0-10 kg/cm²g (Max.)

Maximum Working Temperature : 80°C

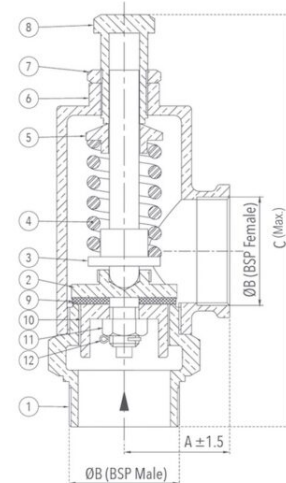
Suitable For

Water, Oil, Air



Materials

P.No.	Name of Part	Material of Construction	Specification	Qty.
1	Body	Bronze / Forged Brass	IS 318 Gr. LTB 2 / IS 6912 Gr. FLB	1
2	Disc	Bronze	IS 318 Gr. LTB 2	1
3	Stem	Bronze	IS 318 Gr. LTB 2	1
4	Spring	Spring Steel	EN 47 Gr. B	1
5	Spring Disc	Bronze	IS 318 Gr. LTB 2	1
6	Chamber	Bronze	IS 318 Gr. LTB 2	1
7	Check Nut	Bronze	IS 318 Gr. LTB 2	1
8	Adjusting Screw	Bronze	IS 318 Gr. LTB 2	1
9	Disc Facing	Nitrile Rubber	IS 5192 - 1	1
10	Guide	Bronze	IS 318 Gr. LTB 2	1
11	Nut	Brass	---	1
12	Split Pin	Brass	---	1



Sizes / Dimensions

Size (Inches)	Size (mm)	A ±1.5	B	C ~
1/2 [*]	15 [*]	33	1/2"	170
3/4 [*]	20 [*]	38.5	3/4"	170
1 [*]	25 [*]	45	1"	190
1 1/4	32	45	1 1/4"	203
1 1/2	40	47.5	1 1/2"	225
2	50	57	2"	265

* For size 15, 20 & 25 the body is of Forged Brass

NOTE : Also available in Metal to Metal contact seating.