

## 1004 Bronze Globe Valve (One Side Flanged) with PTFE Seating

### Salient Features

- Inlet Side Flanged to BS 10 Table 'D' and Outlet Side Screwed Female End to IS 554 / BS 21 / ISO 7.
- Screwed in Bonnet, Inside Screw, Rising Stem, Integral Seat.
- Designed sheet metal handwheel for a firm grip and convenient operation.
- Premium Quality PTFE Gland Packing.
- Medium Pattern.
- Ideal for transformers, even for less viscous oil.

Test Pressure (Hydrostatic) :  
Shell : 24 kg/cm<sup>2</sup>g (340 psig)  
Seat : 16 kg/cm<sup>2</sup>g (225 psig)  
Maximum Working Temperature : 225°C

### Suitable For

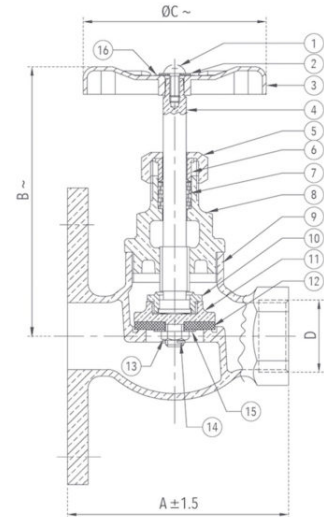
Oil

\*Also available with Open-Shut indicator and Locking Device, at a nominal extra price.



### Materials

P.No.	Name of Part	Material of Construction	Specification	Quantity
1	Screw / Bolt	Carbon Steel (Zinc Plated)	---	1
2	Washer	Carbon Steel (Zinc Plated)	---	1
3	Handwheel	Sheet Metal (Powder Coated)	---	1
4	Stem	Forged Brass	IS 6912 Gr. FLB	1
5	Gland Nut	Forged Brass	IS 6912 Gr. FLB	1
6	Gland	Forged Brass	IS 6912 Gr. FLB	1
7	Gland Packing	PTFE	---	-
8	Bonnet	Bronze	IS 318 Gr. LTB2	1
9	Body	Bronze	IS 318 Gr. LTB2	1
10	Disc Nut	Bronze	IS 318 Gr. LTB2	1
11	Disc	Bronze	IS 318 Gr. LTB2	1
12	Disc Facing	PTFE	---	1
13	Retaining Nut	Forged Brass	IS 6912 Gr. FLB	1
14	Split Pin	Brass	---	1
15	Washer (Optional)	Brass Sheet	---	1
16	Name Plate	Aluminium	---	1



### Sizes / Dimensions

Size (Inches)	Size (mm)	A ±1.5	B ~	ØC ~	D
1/2	15	53	85	60	1/2"
3/4	20	67	90	65	3/4"
1	25	80	98	70	1"
1 1/4	32	86	115	80	1 1/4"
1 1/2	40	91	127	90	1 1/2"
2	50	106	140	110	2"

~ ±10

**NOTE :** For size 15, 20 and 25 part number 10 is not applicable.