

1008B Forged Brass Ball Valve (Screwed)

Salient Features

- Screwed Female Ends to IS 554 / BS 21 / ISO 7.
- Full Bore, Two Piece Design.
- Quarter Turn, Lever Operated.
- Provided with Forged Brass Hard Chrome Plated Ball.
- Premium Quality PTFE Gland Packing and Seating.
- Chrome Finish.

Test Pressure (Hydrostatic) :
Shell : 25 kg/cm²g (350 psig)
Seat : 16 kg/cm²g (225 psig)
Maximum Working Temperature : 220°C

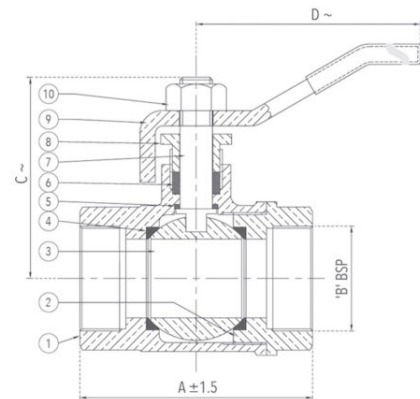
Suitable For

Water, Oil



Materials

P.No.	Name of Part	Material of Construction	Specification	Quantity
1	Body	Forged Brass	IS 6912 Gr. FLB	1
2	Bonnet	Forged Brass	IS 6912 Gr. FLB	1
3	Ball	Forged Brass (Hard Chrome Plated)	IS 6912 Gr. FLB	1
4	Body Seat Ring	PTFE	---	2
5	Thrust Washer	PTFE	---	1
6	Gland Packing	PTFE	---	
7	Stem	Forged Brass	IS 6912 Gr. FLB	1
8	Gland	Forged Brass	---	1
9	Lever	Aluminium Alloy / Mild Steel	---	1
10	Nut	Brass (Chrome Plated)	---	1



Sizes / Dimensions

Size (Inches)	Size (mm)	A ± 1.5	B	C ~	D ~
1/4	8	47	1/4"	37	90
3/8	10	47	3/8"	37	90
1/2	15	50	1/2"	40	106
3/4	20	57	3/4"	43	132
1	25	67	1"	47	132
1 1/4	32	76	1 1/4"	62	166
1 1/2	40	87	1 1/2"	68	176
2	50	104	2"	80	216
2 1/2	65	139	2 1/2"	100	216
3	80	155	3"	110	280
4	100	177	4"	124	280

~ ±10

1009A Forged Brass Multi Utility Check Valve (Screwed)

Salient Features

- Screwed Female Ends to IS 554 / BS 21 / ISO 7.
- Screwed in Bonnet.
- Suitable for both Horizontal and Vertical Lines.
- Permits flow in one direction and shuts automatically if the flow reverses.
- Disc is guided in Body as well as in Bonnet.
- Chrome Finish.

Test Pressure (Hydrostatic) :
Shell : 15 kg/cm²g (220 psig)
Seat : 10 kg/cm²g (150 psig)
Maximum Working Temperature : 90°C

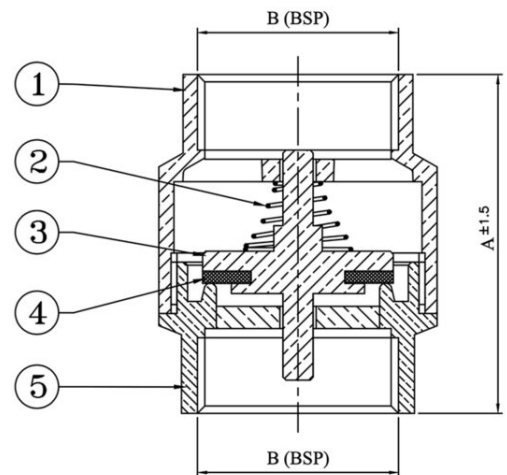
Suitable For

Water, Oil



Materials

P.No.	Name of Part	Material of Construction	Specification	Quantity
1	Body	Forged Brass	IS 6912 Gr. FLB	1
2	Spring	Stainless Steel	Type 304	1
3	Disc	Forged Brass	IS 6912 Gr. FLB	1
4	Disc Facing	Nitrile Rubber	IS 638 Type B	1
5	Bonnet	Forged Brass	IS 6912 Gr. FLB	1



Sizes / Dimensions

Size (Inches)	Size (mm)	A ±1.5	B
1/2	15	46	1/2"
3/4	20	53	3/4"
1	25	56	1"
1 1/4	32	60	1 1/4"
1 1/2	40	65	1 1/2"
2	50	76	2"

1022A Forged Brass Ball Bib Cock (Chrome Plated)

Salient Features

- Screwed Male End to IS 554 / BS 21 / ISO 7.
- Provided with Hard Chrome Plated Brass Ball.
- Quarter Turn, Lever Operated.
- Chrome Finish.

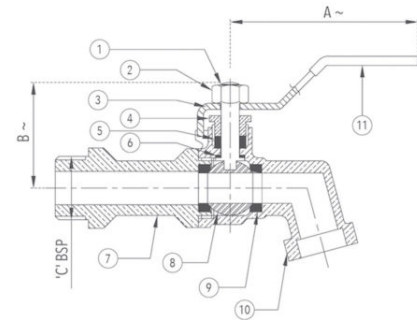
Test Pressure (Hydrostatic) :
Shell : 25 kg/cm²g (350 psig)
Seat : 16 kg/cm²g (225 psig)
Maximum Working Temperature : 220°C

Suitable For
Water



Materials

P.No.	Name of Part	Material of Construction	Specification	Quantity
1	Stem	Forged Brass	IS 6912 Gr. FLB	1
2	Nut	Brass (Chrome Plated)	---	1
3	Lever	Mild Steel	---	1
4	Gland	Forged Brass	IS 6912 Gr. FLB	1
5	Gland Packing	PTFE	---	1
6	Thrust Washer	PTFE	---	1
7	Adaptor	Forged Brass	IS 6912 Gr. FLB	1
8	Ball	Forged Brass (Hard Chrome Plated)	IS 6912 Gr. FLB	1
9	Body Seat Ring	PTFE	---	2
10	Body	Forged Brass	IS 6912 Gr. FLB	1
11	Sleeve	PVC	---	1



Sizes / Dimensions

Size (Inches)	Size (mm)	A ~	B ~	C
1/2	15	115	34	1/2"

~ ±10

1024A Forged Brass Ball Bib Cock with Hose Union (Chrome Plated)

Salient Features

- Screwed Male End to IS 554 / BS 21 / ISO 7.
- Provided with Chrome Plated Brass Ball.
- Sturdy Hose Union provided.
- Chrome Finish.

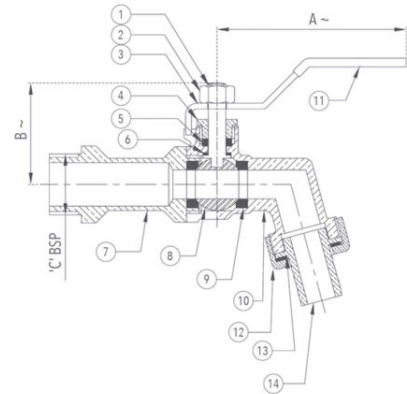
Test Pressure (Hydrostatic) :
Shell : 25 kg/cm²g (350 psig)
Seat : 16 kg/cm²g (225 psig)
Maximum Working Temperature : 220°C

Suitable For
Water



Materials

P.No.	Name of Part	Material of Construction	Specification	Quantity
1	Stem	Forged Brass	IS 6912 Gr. FLB	1
2	Nut	Brass (Chrome Plated)	---	1
3	Lever	Mild Steel	---	1
4	Gland	Forged Brass	IS 6912 Gr. FLB	1
5	Gland Packing	PTFE	---	1
6	Thrust Washer	PTFE	---	1
7	Adaptor	Forged Brass	IS 6912 Gr. FLB	1
8	Ball	Forged Brass (Hard Chrome Plated)	IS 6912 Gr. FLB	1
9	Body Seat Ring	PTFE	---	2
10	Body	Forged Brass	IS 6912 Gr. FLB	1
11	Sleeve	PVC	---	1
12	Hose Nut	Forged Brass	IS 6912 Gr. FLB	1
13	Washer	Rubber	---	1
14	Hose Pipe	Forged Brass	IS 6912 Gr. FLB	1



Sizes / Dimensions

Size (Inches)	Size (mm)	A ~	B ~	C
1/2	15	115	34	1/2"

~ ±10

1040B Forged Brass Compact Pressure Reducing Value (Screwed)

Salient Features

- Screwed Female Ends to IS 554 / BS 21 / ISO 7.
- Most ideal for sensitive and a consistent fluid regulation.
- Diaphragm-less, Piston Type.
- Piston-operated, hence more reliable than conventional diaphragm type PRV.
- Rugged body, compact-sized, easy to install.
- Provided with Premium Quality Nitrile Rubber 'O'Rings.
- Demands low maintenance and virtually noiseless.
- Most of the critical working components have a distinct edge of being hot brass forged.
- Facility provided to install a Pressure Gauge of 1/4" BSP size to gauge the critically relevant Outlet Pressure.
- Designed to suit every application requiring accurate pressure ratings.
- All 'O' rings are of superior food grade material, hence ensuring absolute zero health hazard.



Test Pressure (Hydrostatic) :

Shell : 35 bar

Maximum Upstream Pressure : 25 bar

Maximum Working Temperature : 80°C

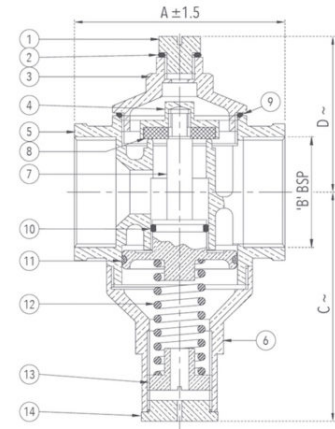
NOTE : At maximum inlet pressure 25 bar, the minimum outlet pressure will be 5.5 bar.

Suitable For

Water

Materials

P.No.	Name of Part	Material of Construction	Specification	Quantity
1	Plug	Forged Brass	IS 6912 Gr. FLB	1
2	O - Ring	Nitrile Rubber	IS 5192 - 1	1
3	Bonnet	Forged Brass	IS 6912 Gr. FLB	1
4	Disc Holder	Forged Brass	IS 6912 Gr. FLB	1
5	Body	Forged Brass	IS 6912 Gr. FLB	1
6	Chamber	Forged Brass	IS 6912 Gr. FLB	1
7	Piston	Forged Brass / Bronze	IS 6912 Gr. FLB / IS 318 Gr. LTB 2	1
8	Disc	Nitrile Rubber	IS 5192 - 1	1
9	O - Ring	Nitrile Rubber	IS 5192 - 1	1
10	O - Ring	Nitrile Rubber	IS 5192 - 1	1
11	O - Ring	Nitrile Rubber	IS 5192 - 1	1
12	Spring	Spring Steel	EN 47 Gr. B	1
13	Adjustable Ring	Forged Brass	IS 6912 Gr. FLB	1
14	CAP	PVC	IS 15225	1



Sizes / Dimensions

Size (Inches)	Size (mm)	A ±1.5	B	C ~	D ~
1/2	15	62	1/2"	68	44
3/4	20	62	3/4"	68	44
1	25	86	1"	93	61
1 1/4	32	91	1 1/4"	99	65
1 1/2	40	91	1 1/2"	99	65
2	50	91	2"	101	71

~ ±10

1095 Forged Brass Air Release Valve (Screwed)

Salient Features

- Screwed male end as per IS 554 / BS 21 / ISO 7.
- Chrome plated forged brass body and cover.
- Full bore.
- Sleek in design, ease of installation.
- Handy device used to release entrapped air in any piping system.
- Smooth inner valves reduce pressure loss.
- Maintains system flow efficiency.
- Brilliant aesthetic look.
- Ergonomic design.

Test Pressure (Hydrostatic) :

Shell : 15 bar (220 psig)

Seat : 10 bar(150 psig)

Maximum Working Temperature : 110°C

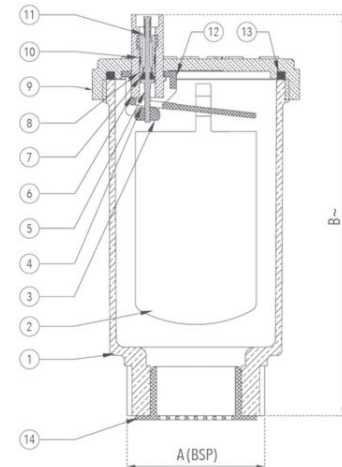


Suitable For

Water

Materials

P.No.	Name of Part	Material of Construction	Specification	Qty.
1	Body	Forged Brass (Chrome Plated)	IS 6912 Gr. FLB	1
2	Float	Polypropylene	---	1
3	Lock	Polypropylene	---	1
4	Hing	Polypropylene	---	1
5	Seat	Forged Brass	IS 6912 Gr. FLB	1
6	Chamber	Forged Brass	IS 6912 Gr. FLB	1
7	Ring	Nitrile Rubber	IS 5192 - 1	1
8	Valve	Brass	IS 319 Gr. 2	1
9	Cover	Forged Brass (Chrome Plated)	IS 6912 Gr. FLB	1
10	Ring	Nitrile Rubber	IS 5192 - 1	1
11	Spring	Stainless Steel	Type 304	1
12	Bracket	Polypropylene	---	1
13	'O' Ring	Nitrile Rubber	IS 5192 - 1	1
14	Strainer	Plastic	---	1



Sizes / Dimensions

Size (Inches)	Size (mm)	A	B ~
1/2	15	1/2"	75
3/4	20	3/4"	95
1	25	1"	97

~ ±10