

1018 Bronze Ferrule Cock (Medium)

Salient Features

- Screwed Male Ends (Inlet to BSPT and Outlet to BSP) to IS 554 / BS 21 / ISO 7.
- Medium Pattern, Rough Body, Full Flow.
- Metal to Metal contact seating.
- Can withstand heavy impact of water as well as tolerance of sudden pressure.

Test Pressure (Hydrostatic) :
Shell : 20 kg/cm²g (285 psig)
Seat : 13.5 kg/cm²g (192 psig)
Maximum Working Temperature : 225°C

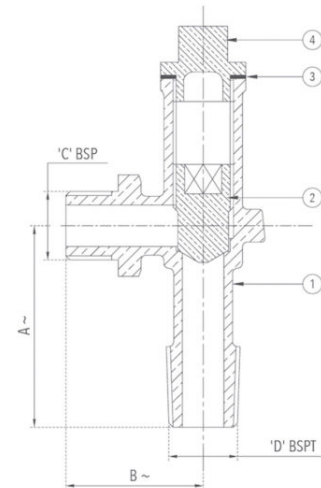
Suitable For

Water



Materials

P.No.	Name of Part	Material of Construction	Specification	Quantity
1	Body	Bronze	IS 318 Gr. LTB 2	1
2	Plug	Bronze	IS 318 Gr. LTB 2	1
3	Joint Washer	Leather	- - -	1
4	Cap	Bronze	IS 318 Gr. LTB 2	1



Sizes / Dimensions

Size (Inches)	Size (mm)	A ±5	B ±5	C	D
1/4	8	57	35	1/4"	1/4"
3/8	10	60	36	3/8"	3/8"
1/2	15	57	37	1/2"	1/2"

1019 Bronze Ferrule Cock (Heavy)

Salient Features

- Screwed Male Ends (Inlet to BSPT and Outlet to BSP) to IS 554 / BS 21 / ISO 7.
- Heavy Pattern, Rough Body, Full Flow.
- Metal to Metal contact seating.
- Can withstand heavy impact of water as well as tolerance of high sudden pressure.

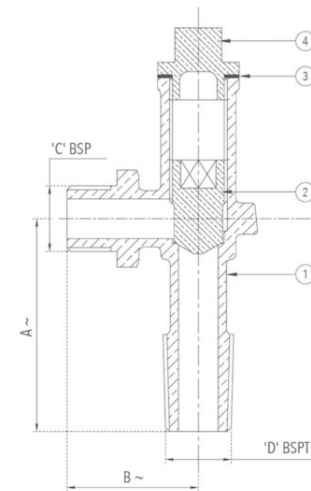
Test Pressure (Hydrostatic) :
Shell : 24 kg/cm²g (340 psig)
Seat : 16 kg/cm²g (225 psig)
Maximum Working Temperature : 225°C

Suitable For
Water



Materials

P.No.	Name of Part	Material of Construction	Specification	Quantity
1	Body	Bronze	IS 318 Gr. LTB 2	1
2	Plug	Bronze	IS 318 Gr. LTB 2	1
3	Joint Washer	Leather	- - -	1
4	Cap	Bronze	IS 318 Gr. LTB 2	1



Sizes / Dimensions

Size (Inches)	Size (mm)	A ±5	B ±5	C	D
1/2	15	70	42	1/2"	1/2"
3/4	20	75	50	3/4"	3/4"
1	25	80	60	1"	1"

1022A Forged Brass Ball Bib Cock (Chrome Plated)

Salient Features

- Screwed Male End to IS 554 / BS 21 / ISO 7.
- Provided with Hard Chrome Plated Brass Ball.
- Quarter Turn, Lever Operated.
- Chrome Finish.

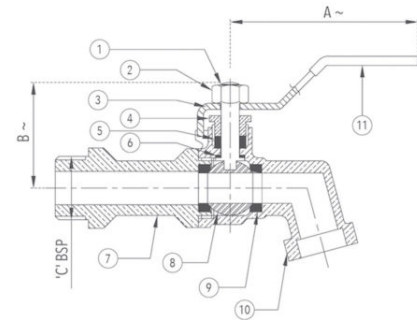
Test Pressure (Hydrostatic) :
Shell : 25 kg/cm²g (350 psig)
Seat : 16 kg/cm²g (225 psig)
Maximum Working Temperature : 220°C

Suitable For
Water



Materials

P.No.	Name of Part	Material of Construction	Specification	Quantity
1	Stem	Forged Brass	IS 6912 Gr. FLB	1
2	Nut	Brass (Chrome Plated)	---	1
3	Lever	Mild Steel	---	1
4	Gland	Forged Brass	IS 6912 Gr. FLB	1
5	Gland Packing	PTFE	---	1
6	Thrust Washer	PTFE	---	1
7	Adaptor	Forged Brass	IS 6912 Gr. FLB	1
8	Ball	Forged Brass (Hard Chrome Plated)	IS 6912 Gr. FLB	1
9	Body Seat Ring	PTFE	---	2
10	Body	Forged Brass	IS 6912 Gr. FLB	1
11	Sleeve	PVC	---	1



Sizes / Dimensions

Size (Inches)	Size (mm)	A ~	B ~	C
1/2	15	115	34	1/2"

~ ±10

1024A Forged Brass Ball Bib Cock with Hose Union (Chrome Plated)

Salient Features

- Screwed Male End to IS 554 / BS 21 / ISO 7.
- Provided with Chrome Plated Brass Ball.
- Sturdy Hose Union provided.
- Chrome Finish.

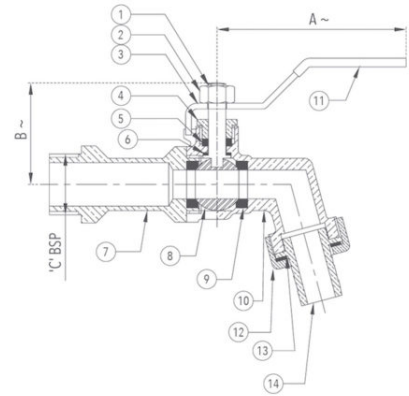
Test Pressure (Hydrostatic) :
Shell : 25 kg/cm²g (350 psig)
Seat : 16 kg/cm²g (225 psig)
Maximum Working Temperature : 220°C

Suitable For
Water



Materials

P.No.	Name of Part	Material of Construction	Specification	Quantity
1	Stem	Forged Brass	IS 6912 Gr. FLB	1
2	Nut	Brass (Chrome Plated)	---	1
3	Lever	Mild Steel	---	1
4	Gland	Forged Brass	IS 6912 Gr. FLB	1
5	Gland Packing	PTFE	---	1
6	Thrust Washer	PTFE	---	1
7	Adaptor	Forged Brass	IS 6912 Gr. FLB	1
8	Ball	Forged Brass (Hard Chrome Plated)	IS 6912 Gr. FLB	1
9	Body Seat Ring	PTFE	---	2
10	Body	Forged Brass	IS 6912 Gr. FLB	1
11	Sleeve	PVC	---	1
12	Hose Nut	Forged Brass	IS 6912 Gr. FLB	1
13	Washer	Rubber	---	1
14	Hose Pipe	Forged Brass	IS 6912 Gr. FLB	1



Sizes / Dimensions

Size (Inches)	Size (mm)	A ~	B ~	C
1/2	15	115	34	1/2"

~ ±10

1047 Bronze Asbestos Packed Water Level Gauge (Screwed) I.B.R

Salient Features

- Screwed Male End to BSP.
- Asbestos Gland Packing.
- Set available for both, Right Hand and Left Hand operations.
- Polished Body.

Test Pressure (Hydrostatic) :

Shell : 21.10 kg/cm²g (300 psig)

Working Pressure (Steam) : 10.55 kg/cm²g (150 psig).

Maximum Working Temperature : 225°C

Suitable For

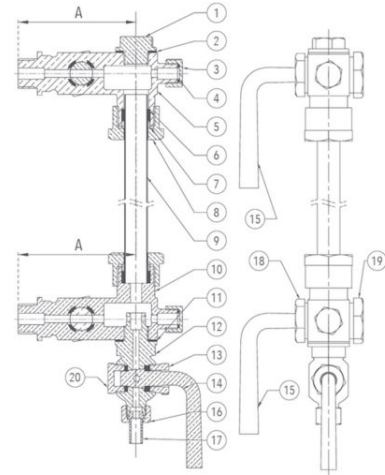
Steam, Water



Materials

P.No.	Name of Part	Material of Construction	Specification	Quantity
1	Plug	Bronze	IBR 282 (a) (iv) Gr. B	1
2	Gasket	Steam Jointing Sheet	IS 2712 Gr. W/3	1
3	Lock Nut	Bronze	IBR 282 (a) (iv) Gr. B	2
4	Gasket	Steam Jointing Sheet	IS 2712 Gr. W/3	2
5	Upper Arm	Bronze	IBR 282 (a) (iv) Gr. B	1
6	Gland Packing	Graphite Asbestos	IS 4687	-
7	Gland	Bronze	IBR 282 (a) (iv) Gr. B	2
8	Gland Nut	Bronze	IBR 282 (a) (iv) Gr. B	2
9	Glass Tube*	Toughened Glass	- - -	1
10	Lower Arm	Bronze	IBR 282 (a) (iv) Gr. B	1
11	Gasket	Steam Jointing Sheet	IS 2712 Gr. W/3	1
12	Drain Valve	Bronze	IBR 282 (a) (iv) Gr. B	1
13	Lock Nut	Bronze	IBR 282 (a) (iv) Gr. B	1
14	Handle	Bronze	IBR 282 (a) (iv) Gr. B	1
15	Handle	Bronze	IBR 282 (a) (iv) Gr. B	2
16	Union Nut	Bronze	IBR 282 (a) (iv) Gr. B	1
17	Tail Pipe	Bronze	IBR 282 (a) (iv) Gr. B	1
18	Lock Nut	Bronze	IBR 282 (a) (iv) Gr. B	2
19	Bottom Nut	Bronze	IBR 282 (a) (iv) Gr. B	2
20	Bottom Nut	Bronze	IBR 282 (a) (iv) Gr. B	1

* Glass Tube is not provided with this product.



Sizes / Dimensions

Size (Inches)	Size (mm)	A
1/2	15	102
3/4	20	125

1048 Bronze Asbestos Packed Water Level Gauge (Flanged) I.B.R

Salient Features

- Flanged End to BS 10 Table 'F'.
- Asbestos Gland Packing.
- Set available for both, Right Hand and Left Hand operations.
- Polished Body.

Test Pressure (Hydrostatic) :

Shell : 21.10 kg/cm²g (300 psig)

Working Pressure (Steam) : 10.55 kg/cm²g (150 psig)

Maximum Working Temperature : 225°C

Suitable For

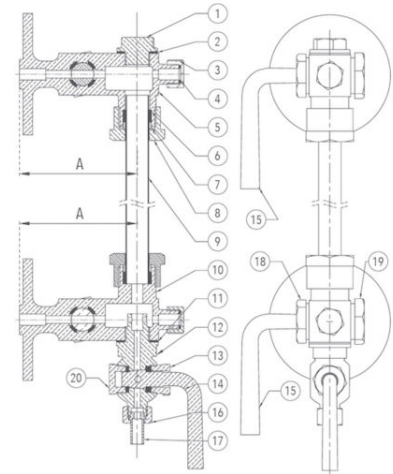
Steam, Water



Materials

P.No.	Name of Part	Material of Construction	Specification	Quantity
1	Plug	Bronze	IBR 282 (a) (iv) Gr. B	1
2	Gasket	Steam Jointing Sheet	IS 2712 Gr. W/3	1
3	Lock Nut	Bronze	IBR 282 (a) (iv) Gr. B	2
4	Gasket	Steam Jointing Sheet	IS 2712 Gr. W/3	2
5	Upper Arm	Bronze	IBR 282 (a) (iv) Gr. B	1
6	Gland Packing	Graphite Asbestos	IS 4687	-
7	Gland	Bronze	IBR 282 (a) (iv) Gr. B	2
8	Gland Nut	Bronze	IBR 282 (a) (iv) Gr. B	2
9	Glass Tube*	Toughened Glass	- - -	1
10	Lower Arm	Bronze	IBR 282 (a) (iv) Gr. B	1
11	Gasket	Steam Jointing Sheet	IS 2712 Gr. W/3	1
12	Drain Valve	Bronze	IBR 282 (a) (iv) Gr. B	1
13	Lock Nut	Bronze	IBR 282 (a) (iv) Gr. B	1
14	Handle	Bronze	IBR 282 (a) (iv) Gr. B	1
15	Handle	Bronze	IBR 282 (a) (iv) Gr. B	2
16	Union Nut	Bronze	IBR 282 (a) (iv) Gr. B	1
17	Tail Pipe	Bronze	IBR 282 (a) (iv) Gr. B	1
18	Lock Nut	Bronze	IBR 282 (a) (iv) Gr. B	2
19	Bottom Nut	Bronze	IBR 282 (a) (iv) Gr. B	2
20	Bottom Nut	Bronze	IBR 282 (a) (iv) Gr. B	1

* Glass Tube is not provided with this product.



Sizes / Dimensions

Size (Inches)	Size (mm)	A
1/2	15	77
3/4	20	96

1049 Bronze Sleeve Packed Water Level Gauge (Screwed) I.B.R

Salient Features

- Screwed Male End to BSP.
- Automatic Shut Off Device in Water Arm.
- Set available for both, Right Hand and Left Hand operations.
- Premium Quality Sleeve, Reinforced by metallic eye holes provided to avoid any clogging of passage.
- Each piece is fitted with self adjusting inverted taper plug (Stainless Steel) which forms a seal in the renewable moulded asbestos sleeve.
- Sleeve can easily be positioned by a rib which fits in the corresponding groove of the body.

Test Pressure (Hydrostatic) :

Shell : 35.15 kg/cm²g (500 psig)

Working Pressure (Steam) : 17.58 kg/cm²g (250 psig)

Maximum Working Temperature : 225°C

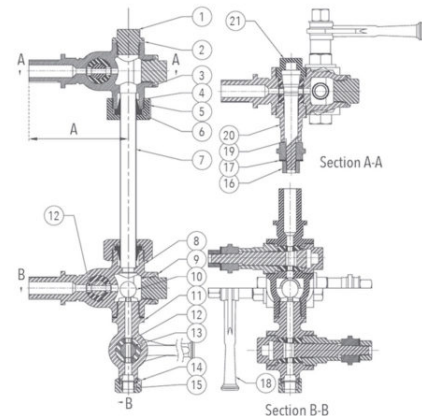
Suitable For

Steam, Water

Materials

P.No.	Name of Part	Material of Construction	Specification	Quantity
1	Plug	Bronze	IBR 282 (a) (iv) Gr. B	2
2	Gasket	Steam Jointing Sheet	IS 2712 Gr. W/3	4
3	Upper Arm	Bronze	IBR 282 (a) (iv) Gr. B	1
4	Cone	Synthetic Rubber	IS 5192-1	2
5	Nut	Bronze	IBR 282 (a) (iv) Gr. B	2
6	Washer	Bronze	IBR 282 (a) (iv) Gr. B	2
7	Glass Tube*	Toughened Glass	---	1
8	Lower Arm	Bronze	IBR 282 (a) (iv) Gr. B	1
9	Plug	Bronze	IBR 282 (a) (iv) Gr. B	1
10	Ball	Stainless Steel	ASTM A 276 Type 304	1
11	Drain Valve	Bronze	IBR 282 (a) (iv) Gr. B	1
12	Sleeve Bush	Bronze	IBR 282 (a) (iv) Gr. B	6
13	Sleeve	Moulded Asbestos	---	3
14	Union Nut	Bronze	IBR 282 (a) (iv) Gr. B	1
15	Nipple	Bronze	IBR 282 (a) (iv) Gr. B	1
16	Nut	Carbon Steel	---	3
17	Name Plate	Brass / Aluminium	---	3
18	Handle	Bronze	IBR 282 (a) (iv) Gr. B	3
19	Stem	Stainless Steel	ASTM A 276 Type 410	3
20	Bonnet	Bronze	IBR 282 (a) (iv) Gr. B	3
21	Lock Nut	Bronze	IBR 282 (a) (iv) Gr. B	3

* Glass Tube is not provided with this product.



Sizes / Dimensions

Size (Inches)	Size (mm)	A
1/2	15	118
3/4	20	118

1050 Bronze Sleeve Packed Water Level Gauge (Flanged) I.B.R

Salient Features

- Flanged End to BS 10 Table 'H'.
- Automatic Shut Off Device in Water Arm.
- Set available for both, Right Hand and Left Hand operations.
- Premium Quality Sleeve, Reinforced by metallic eye holes provided to avoid any clogging of passage.
- Each piece is fitted with self adjusting inverted taper plug (Stainless Steel) which forms a seal in the renewable moulded asbestos sleeve.
- Sleeve can easily be positioned by a rib which fits in the corresponding groove of the body.

Test Pressure (Hydrostatic) :

Shell : 35.15 kg/cm²g (500 psig)

Working Pressure (Steam) : 17.58 kg/cm²g (250 psig)

Maximum Working Temperature : 225°C

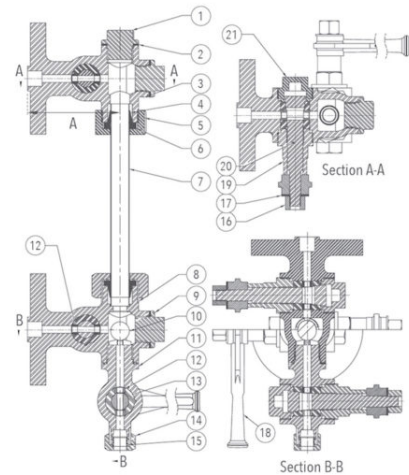
Suitable For

Steam, Water

Materials

P.No.	Name of Part	Material of Construction	Specification	Quantity
1	Plug	Bronze	IBR 282 (a) (iv) Gr. B	2
2	Gasket	Steam Jointing Sheet	IS 2712 Gr. W/3	4
3	Upper Arm	Bronze	IBR 282 (a) (iv) Gr. B	1
4	Cone	Synthetic Rubber	IS 5192-1	2
5	Nut	Bronze	IBR 282 (a) (iv) Gr. B	2
6	Washer	Bronze	IBR 282 (a) (iv) Gr. B	2
7	Glass Tube*	Toughened Glass	---	1
8	Lower Arm	Bronze	IBR 282 (a) (iv) Gr. B	1
9	Plug	Bronze	IBR 282 (a) (iv) Gr. B	1
10	Ball	Stainless Steel	ASTM A 276 Type 304	1
11	Drain Valve	Bronze	IBR 282 (a) (iv) Gr. B	1
12	Sleeve Bush	Bronze	IBR 282 (a) (iv) Gr. B	6
13	Sleeve	Moulded Asbestos	---	3
14	Union Nut	Bronze	IBR 282 (a) (iv) Gr. B	1
15	Nipple	Bronze	IBR 282 (a) (iv) Gr. B	1
16	Nut	Carbon Steel	---	3
17	Name Plate	Brass / Aluminium	---	3
18	Handle	Bronze	IBR 282 (a) (iv) Gr. B	3
19	Stem	Stainless Steel	ASTM A276 Type 410	3
20	Bonnet	Bronze	IBR 282 (a) (iv) Gr. B	3
21	Lock Nut	Bronze	IBR 282 (a) (iv) Gr. B	3

* Glass Tube is not provided with this product.



Sizes / Dimensions

Size (Inches)	Size (mm)	A
1/2	15	80
3/4	20	92

1052 Bronze Parallel Slide Blow Off Valve (Flanged) ^{I.B.R.}

Salient Features

- Flanged Ends to BS 10 Table 'H'.
- Maintains fluid tightness and easy in operation because of sliding action of discs.
- Discs are kept in close contact with body rings by means of a spring when the valve is under pressure.
- Premium Quality Lubricated Gland Packing.
- Bolted Bonnet.
- Valve is operated by means of Rack and Pinion arrangement, in such a manner that valve is opened fully with half turn of the box key.
- Gland forms a locking guard which prevents removal of the key unless the valve is closed.



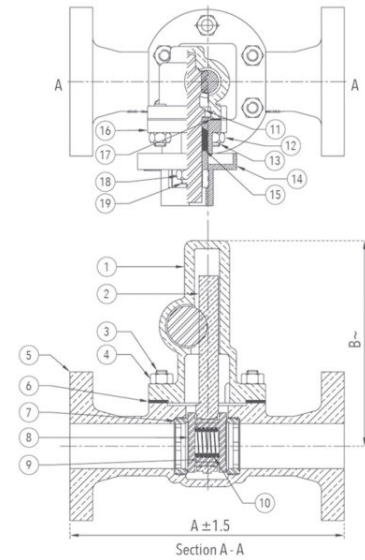
Test Pressure (Hydrostatic) :
Shell : 35.15 kg/cm²g (500 psig)
Working Pressure (Steam) : 17.58 kg/cm²g (250 psig)
Maximum Working Temperature : 225°C

Suitable For

Steam, Water

Materials

P.No.	Name of Part	Material of Construction	Specification	Quantity
1	Bonnet	Bronze	IBR 282 (a) (iv) Gr. B	1
2	Rack	Bronze	IBR 282 (a) (iv) Gr. B	1
3	Studs	Alloy Steel	ASTM A193 Gr. B7	As Reqd.
4	Nuts	H.T. Steel	ASTM A194 Gr. 2H	As Reqd.
5	Body	Bronze	IBR 282 (a) (iv) Gr. B	1
6	Gasket	Steam Joining Sheet	IS 2712 Gr. W/3	1
7	Body Seat Ring	Stainless Steel	ASTM A 276 Type 410	1
8	Male Disc	Stainless Steel	ASTM A 276 Type 410	1
9	Female Disc	Stainless Steel	ASTM A 276 Type 410	1
10	Spring	Stainless Steel	IS 4454 Part 4 Gr. 2	1
11	Pinion	Stainless Steel	ASTM A 276 Type 410	1
12	Nuts	H.T. Steel	ASTM A194 Gr. 2H	As Reqd.
13	Studs	Alloy Steel	ASTM A193 Gr. B7	As Reqd.
14	Gland	Bronze	IBR 282 (a) (iv) Gr. B	1
15	Gland Packing	Graphited Asbestos	IS 4687	-
16	Stuffing Box	Bronze	IBR 282 (a) (iv) Gr. B	1
17	Gasket	Steam Joining Sheet	IS 2712 Gr. W/3	1
18	Nuts	H.T. Steel	ASTM A194 Gr. 2H	As Reqd.
19	Studs	Alloy Steel	ASTM A193 Gr. B7	As Reqd.



Sizes / Dimensions

Size (Inches)	Size (mm)	A ±1.5	B ~
1	25	169	138
1 1/4	32	178	157
1 1/2	40	190	204
2	50	206	206

~ ±10

1055 Bronze Thermodynamic Steam Trap (Screwed)

Salient Features

- Screwed Female Ends to BSPT.
- Provided with integral strainer for trouble free service.
- Stainless Steel (Type 304) Ø0.5 mm perforated sheet screen.
- Renewable 13% Cr. Stainless Steel (S.S 410) working parts.

Test Pressure (Hydrostatic) :

Shell : 35.15 kg/cm²g (500 psig)

Working Pressure (Steam) : 17.58 kg/cm²g (250 psig)

Maximum Working Temperature : 225°C

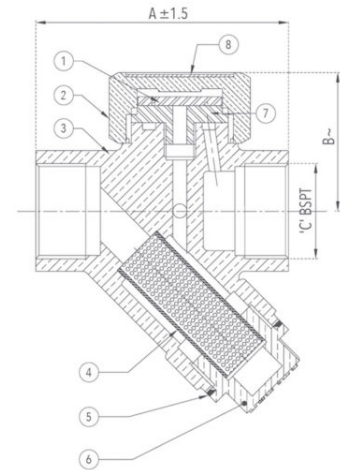
Suitable For

Steam



Materials

P.No.	Name of Part	Material of Construction	Specification	Quantity
1	Disc	Stainless Steel	ASTM A 276 Type 410	1
2	Cover	Stainless Steel	ASTM A 276 Type 410	1
3	Body	Bronze	IBR 282 (a) (iv) Gr. B	1
4	Screen (Ø0.5 mm Perforation)	Stainless Steel	Type 304	1
5	Gasket	Steam Jointing Sheet	IS 2712 Gr. W/3	1
6	Plug	Stainless Steel	ASTM A 276 Type 410	1
7	Seat	Stainless Steel	ASTM A 276 Type 410	1
8	Name Plate	Aluminium	- - -	1



Sizes / Dimensions

Size (Inches)	Size (mm)	A ±1.5	B ~	C
1/2	15	78	52	1/2"
3/4	20	96	52	3/4"
1	25	120	63	1"

~ ±10

1063 Bronze Fusible Plug (One Piece Design) I.B.R

Salient Features

- Screwed Male End to BSPT.
- One Piece Design.
- Premium Quality Fusible Alloy used.

Test Pressure (Hydrostatic) :
Shell : 35.15 kg/cm²g (500 psig)
Working Pressure (Steam) : 17.58 kg/cm²g (250 psig)
Maximum Working Temperature : 225°C

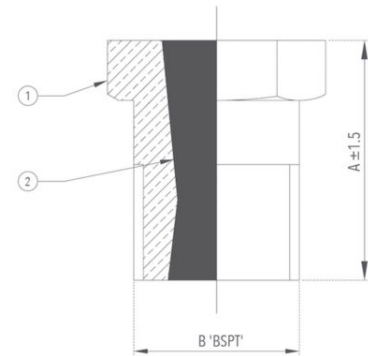
Suitable For

Steam



Materials

P.No.	Name of Part	Material of Construction	Specification	Quantity
1	Body	Bronze	IBR 282 (a) (iv) Gr. B	1
2	Fusible Alloy	Pb-Sn-Alloy	IBR 333	1



Sizes / Dimensions

Size (Inches)	Size (mm)	A ± 1.5	B
1/2	15	32	1/2"
3/4	20	38	3/4"
1	25	44	1"

1064 Bronze Fusible Plug (Two Piece Design) ^{I.B.R}

Salient Features

- Screwed Male End to BSPT.
- Two Piece Design.
- Premium Quality Fusible Alloy used.

Test Pressure (Hydrostatic) :

Shell : 35.15 kg/cm²g (500 psig)

Working Pressure (Steam) : 17.58 kg/cm²g (250 psig)

Maximum Working Temperature : 225°C

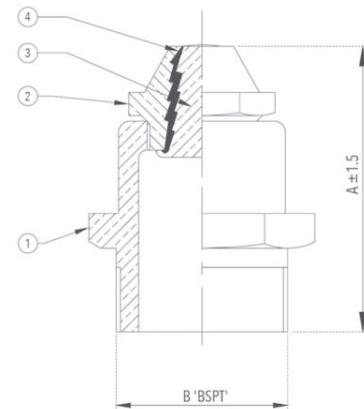
Suitable For

Steam



Materials

P.No.	Name of Part	Material of Construction	Specification	Quantity
1	Body	Bronze	IBR 282 (a) (iv) Gr. B	1
2	Cone	Bronze	IBR 282 (a) (iv) Gr. B	1
3	Plug	Bronze	IBR 282 (a) (iv) Gr. B	1
4	Fusible Alloy	Pb-Sn-ALLOY	IBR 333	1



Sizes / Dimensions

Size (Inches)	Size (mm)	A ±1.5	B
1/2	15	52	1/2"
3/4	20	56	3/4"
1	25	70	1"
1 1/4	32	82	1 1/4"
1 1/2	40	88	1 1/2"
2	50	102	2"

NOTE : Spare cone also available for this product as per our Price List Article No. 1064A.

1085 Bronze Ball Valve with Integral Strainer (Screwed)

Salient Features

- Screwed Female Ends to BSP.
- Two Piece Design.
- Quarter Turn, Lever Operated for convenient operation.
- Stainless Steel (S.S 304) rust proof perforated sheet screen is provided in the strainer.
- Carbon Steel Powder Coated and Robust Lever.
- Most suitable for refrigeration and H.V.A.C applications.

Test Pressure (Hydrostatic) :
Shell : 25 kg/cm²g (350 psig)
Seat : 16 kg/cm²g (225 psig)
Maximum Working Temperature : 220°C

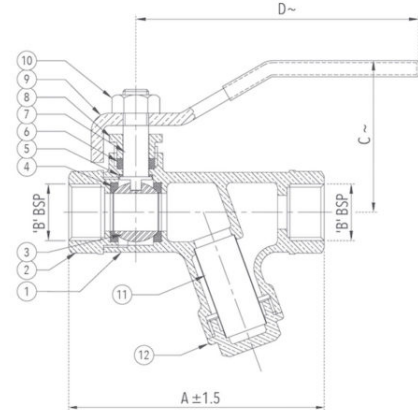
Suitable For

Water



Materials

P.No.	Name of Part	Material of Construction	Specification	Qty.
1	Body	Bronze	IS 318 Gr. LTB 2	1
2	Bonnet	Bronze	IS 318 Gr. LTB 2	1
3	Ball	Stainless Steel	ASTM A 276 Type 304	1
4	Body Seat Ring	PTFE	---	2
5	Thrust Washer	PTFE	---	1
6	Packing Ring	PTFE	---	-
7	Stem	Stainless Steel	ASTM A 276 Type 410	1
8	Gland	Brass	IS 6912 Gr. FLB	1
9	Lever	Carbon Steel	---	1
10	Nut	Carbon Steel	---	1
11	Screen	Stainless Steel	Type 304	1
12	Bottom Cover	Bronze	IS 318 Gr. LTB 2	1



Sizes / Dimensions

Size (Inches)	Size (mm)	A ±1.5	B	C ~	D ~
1/2	15	92	1/2"	50	104
3/4	20	107	3/4"	60	121
1	25	119	1"	60	136

~ ±10

1085A Bronze Ball Valve With Integral Strainer & Flare Nut (Mixed Ends)

Salient Features

- Screwed Ends to BSP Female Inlet and 5/8" BSP Male Outlet provided with a Flare Nut.
- Two Piece Design.
- Quarter Turn, Lever Operated for convenient operation.
- Stainless Steel (S.S 304) rust proof perforated sheet screen is provided in the strainer.
- Stainless Steel, Rust Free and Robust Lever.
- Most suitable for refrigeration and H.V.A.C applications.

Test Pressure (Hydrostatic)
Shell : 20 kg/cm²g (300 psig)
Seat : 13.50 kg/cm²g (192 psig)
Maximum Working Temperature : 220°C

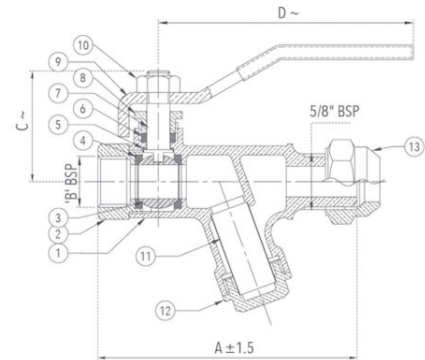
Suitable For

Water



Materials

P.No.	Name of Part	Material of Construction	Specification	Qty.
1	Body	Bronze	IS 318 Gr. LTB 2	1
2	Bonnet	Bronze	IS 318 Gr. LTB 2	1
3	Ball	Stainless Steel	ASTM A 276 Type 304	1
4	Body Seat Ring	PTFE	---	2
5	Thrust Washer	PTFE	---	1
6	Packing Ring	PTFE	---	-
7	Stem	Stainless Steel	ASTM A 276 Type 410	1
8	Gland	Brass	IS 6912 Gr. FLB	1
9	Lever	Stainless Steel	Type 304	1
10	Nut	Carbon Steel	---	1
11	Screen	Stainless Steel	Type 304	1
12	Bottom Cover	Bronze	IS 318 Gr. LTB 2	1
13	Flare Nut	Brass	IS 6912 Gr. FLB	1



Sizes / Dimensions

Size (Inches)	Size (mm)	A ±1.5	B	C ~	D ~
1/2	15	87	1/2"	34	82
3/4	20	114	3/4"	36	82
1	25	126	1"	44	82

~ ±10

1085B Bronze Ball Valve With Flare Nut (Mixed Ends)

Salient Features

- Screwed Ends to BSP Female Inlet and 5/8" BSP Male Outlet provided with a Flare Nut.
- Two Piece Design.
- Quarter Turn, Lever Operated for convenient operation.
- Stainless Steel Powder Coated and Robust Lever.
- Most suitable for refrigeration and H.V.A.C applications.

Test Pressure (Hydrostatic) :
Shell : 20 kg/cm²g (300 psig)
Seat : 13.50 kg/cm²g (192 psig)
Maximum Working Temperature : 220°C

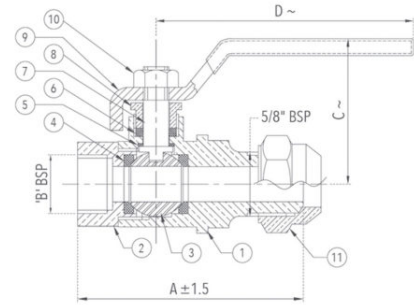
Suitable For

Water



Materials

P.No.	Name of Part	Material of Construction	Specification	Qty.
1	Body	Bronze	IS 318 Gr. LTB 2	1
2	Bonnet	Bronze	IS 318 Gr. LTB 2	1
3	Ball	Stainless Steel	ASTM A 276 Type 304	1
4	Body Seat Ring	PTFE	---	2
5	Thrust Ring	PTFE	---	1
6	Packing Ring	PTFE	---	-
7	Stem	Stainless Steel	Type 304	1
8	Gland	Brass	IS 6912 Gr. FLB	1
9	Lever	Stainless Steel	Type 304	1
10	Nut	Carbon Steel	---	1
11	Flare Nut	Brass	IS 6912 Gr. FLB	1



Sizes / Dimensions

Size (Inches)	Size (mm)	A ± 1.5	B	C ~	D ~
1/2	15	78	1/2"	52	82
3/4	20	86	3/4"	52	82
1	25	88	1"	52	82

~ ±10

1086 Stainless Steel Thermodynamic Steam Trap (Screwed) I.B.R

Salient Features

- Screwed Female Ends to BSPT.
- Superior Quality Investment Casting.
- Provided with integral strainer.
- Stainless Steel (S.S 304) 0.5 mm hole diameter perforated sheet screen for trouble free service.
- Mirror finished moving disc.

Test Pressure (Hydrostatic) :

Shell : 51 bar (740 psig)

Maximum Working Pressure (Steam) : 31 bar (450 psig)

Maximum Working Temperature : 425°C

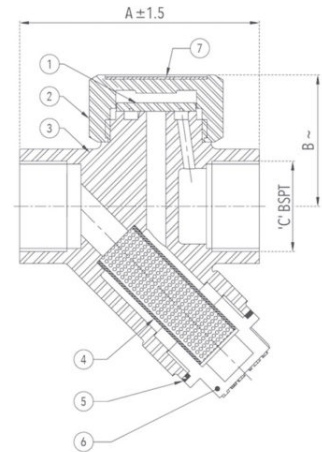
Suitable For

Steam



Materials

P.No.	Name of Part	Material of Construction	Specification	Qty.
1	Disc	Stainless Steel	ASTM A 276 Type 410	1
2	Cover	Stainless Steel	ASTM A 743 Gr. CA40	1
3	Body	Stainless Steel	ASTM A 743 Gr. CA40	1
4	Screen (Ø0.5 mm Perforation)	Stainless Steel	Type 304	1
5	Gasket	PTFE / Steam Jointing Sheet	--- / IS 2712 Gr. W/3	1
6	Plug	Stainless Steel	ASTM A 743 Gr. CA40	1
7	Name Plate	Aluminium	---	1



Sizes / Dimensions

Size (Inches)	Size (mm)	A ±1.5	B ~	C
1/2	15	77	47	1/2"
3/4	20	77	47	3/4"
1	25	86	47	1"

~ ±10

1090 Cast Iron Bucket Type Steam Trap (Screwed) I.B.R

Salient Features

- Screwed Female Ends to BSP.
- Inverted Bucket Type, Bolted Cover.
- With Stainless Steel (S.S 304) renewable working parts.

Test Pressure (Hydrostatic) :

Shell : 21.10 kg/cm²g (300 psig)

Maximum Working Pressure : 10.55 kg/cm²g (150 psig)

Maximum Working Temperature : 220°C

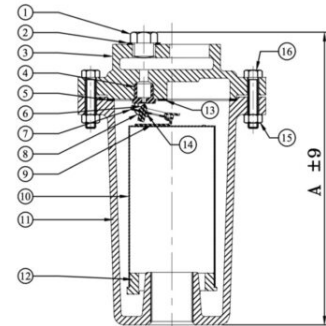
Suitable For

Steam



Materials

P.No.	Name of Part	Material of Construction	Specification	Qty.
1	Plug	Stainless Steel	ASTM A 276 Type 410	1
2	Gasket	Steam Jointing Sheet	IS 2712 Gr. W/3	1
3	Cover	Cast Iron	IBR 86 To 93 Gr. A	1
4	Valve Seat	Stainless Steel	ASTM A 276 Type 304	1
5	Gasket	Steam Jointing Sheet	IS 2712 Gr. W/3	1
6	Valve	Stainless Steel	Type 304	1
7	Valve Lever	Stainless Steel	Type 304	1
8	Valve Hook	Stainless Steel	Type 304	1
9	Bucket Hook	Stainless Steel	Type 304	1
10	Bucket	Stainless Steel	Non-Rustable	1
11	Body	Cast Iron	IBR 86 To 93 Gr. A	1
12	Bucket Ring	Cast Iron	IBR 86 To 93 Gr. A	1
13	Valve Hook Plate	Stainless Steel	Type 304	1
14	Circlip Lock	Spring Steel	Non-Rustable	1
15	Nuts	Carbon Steel	---	As Reqd.
16	Bolts	Carbon Steel	---	As Reqd.



Sizes / Dimensions

Size (Inches)	Size (mm)	A ±9	B
1/2	15	170	1/2"
3/4	20	210	3/4"
1	25	275	1"
1 1/4	32	372	1 1/4"
1 1/2	40	372	1 1/2"
2	50	412	2"

1091 Cast Steel Sleeve Packed Water Level Gauge (Flanged) I.B.R

Salient Features

- Flanged End to BS 10 Table 'J'.
- Automatic Shut Off Device in Water Arm.
- Available for both, Right Hand and Left Hand.
- Premium Quality Sleeve, Reinforced by metallic eye holes, is provided to avoid any clogging of passage.
- Each piece is fitted with self adjusting inverted taper plug (Stainless Steel) which forms a seal in the renewable moulded asbestos sleeve.
- Sleeve can easily be positioned by a rib which fits in the corresponding groove of the body.

Test Pressure (Hydrostatic) :
Shell : 48 kg/cm²g (700 psig)
Test Pressure (Steam) :
Seat : 24.50 kg/cm²g (350 psig)
Maximum Working Temperature : 425°C

Suitable For

Steam, Water

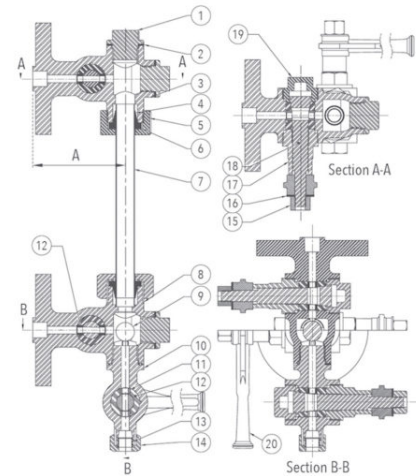
Materials

P.No.	Name of Part	Material of Construction	Specification	Qty.
1	Plug	Stainless Steel	ASTM A 276 Type 410	3
2	Gasket	Steam Jointing Sheet	IS 2712 Gr. W/3	4
3	Upper Arm	Cast Steel	IBR 73-80 Gr. B	1
4	Cone	Synthetic Rubber	IS 5192-1	2
5	Nut	Stainless Steel	ASTM A 276 Type 410	2
6	Washer	Bronze	IBR 282 (a) (iv) Gr. B	2
7	Glass Tube*	Toughened Glass	---	1
8	Lower arm	Cast Steel	IBR 73-80 Gr. B	1
9	Ball	Stainless Steel	ASTM A 276 Type 304	1
10	Drain Valve	Cast Steel	IBR 73-80 Gr. B	1
11	Sleeve Bush	Bronze	IBR 282 (a) (iv) Gr. B	6
12	Sleeve	Moulded Asbestos	---	3
13	Nipple	Stainless Steel	ASTM A 276 Type 410	1
14	Union Nut	Stainless Steel	ASTM A 276 Type 410	1
15	Nut	Carbon Steel	---	3
16	Name Plate	Brass / Aluminium	---	3
17	Bonnet	Stainless Steel	ASTM A 276 Type 410	3
18	Stem	Stainless Steel	ASTM A 276 Type 410	3
19	Lock Nut	Stainless Steel	ASTM A 276 Type 410	3
20	Handle	S.G Iron	IS 1865 / ASTM A 536	3

*Glass Tube is not provided with this product.

Sizes / Dimensions

Size (Inches)	Size (mm)	A
1/2	15	84
3/4	20	99



1092 Cast Steel Parallel Slide Blow Off Valve (Flanged) I.B.R

Salient Features

- Flanged Ends to BS 10 Table 'J'.
- Maintains fluid tightness and is easy in operation because of sliding action of discs.
- Discs are kept in close contact with body rings by means of a spring when the valve is under pressure.
- Premium Quality Lubricated Gland Packing, Bolted Bonnet.
- Valve is operated by means of Rack and Pinion arrangement, in such a manner that valve is opened fully with half turn of the box key.
- Gland forms a locking guard which prevents removal of the key unless the valve is closed.

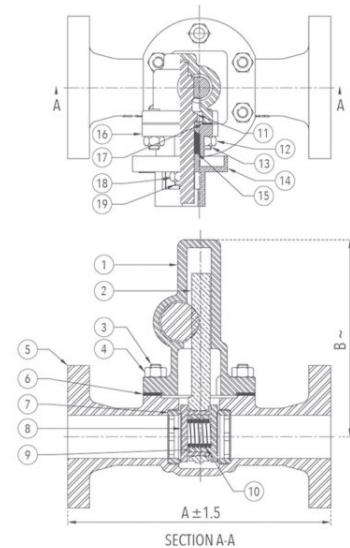
Test Pressure (Hydrostatic) :
Shell : 48 kg/cm²g (700 psig)
Test Pressure (Steam) :
Seat : 24.50 kg/cm²g (350 psig)
Maximum Working Temperature : 425°C

Suitable For

Steam, Water

Materials

P.No.	Name of Part	Material of Construction	Specification	Qty.
1	Bonnet	Cast Steel	IBR 73 - 80 Gr. B	1
2	Rack	Bronze	IBR 282 (a) (iv) Gr. B	1
3	Studs	Alloy Steel	ASTM A 193 Gr. B7	As Reqd.
4	Nuts	H.T Steel	ASTM A 194 Gr. 2H	As Reqd.
5	Body	Cast Steel	IBR 73 - 80 Gr. B	1
6	Gasket	Steam Joining Sheet	IS 2712 Gr. W/3	1
7	Body Seat Ring	Stainless Steel	ASTM A 276 Type 410	1
8	Male Disc	Stainless Steel	ASTM A 276 Type 410	1
9	Female Disc	Stainless Steel	ASTM A 276 Type 410	1
10	Spring	Stainless Steel	IS 4454 Part 4 Gr. 2	1
11	Pinion	Stainless Steel	ASTM A 276 Type 410	1
12	Nuts	H.T Steel	ASTM A 194 Gr. 2H	As Reqd.
13	Studs	Alloy Steel	ASTM A 193 Gr. B7	As Reqd.
14	Gland	Bronze	IBR 282 (a) (iv) Gr. B	1
15	Gland Packing	Braided Graphite	IS 4687	-
16	Stuffing Box	Bronze	IBR 282 (a) (iv) Gr. B	1
17	Gasket	Steam Joining Sheet	IS 2712 Gr. W/3	1
18	Nuts	Alloy Steel	ASTM A 193 Gr. B7	As Reqd.
19	Studs	H.T Steel	ASTM A 194 Gr. 2H	As Reqd.



Sizes / Dimensions

Size (Inches)	Size (mm)	A ±1.5	B ~
1	25	178	180
1 1/4	32	241	190
1 1/2	40	267	220
2	50	305	244

~ ±10

1094 Bronze Spring Loaded Safety Relief Valve, Open Discharge (Screwed)

Salient Features

- Screwed Male End to IS 554 / BS 21 / ISO 7.
- Open Discharge Type.
- Metal to Rubber contact seating.

Test Pressure (Hydrostatic) :

Shell : 21.10 kg/cm²g (300 psig)

Seat : 10.55 kg/cm²g (150 psig)

Set Pressure Range : 0 - 10 kg/cm²g (Max.)

Maximum Working Temperature : 80°C

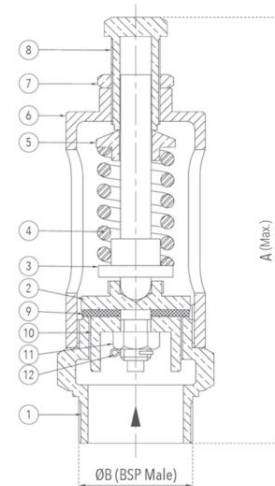
Suitable For

Water, Oil, Air



Materials

P.No.	Name of Part	Material of Construction	Specification	Qty.
1	Body	Bronze / Forged Brass	IS 318 Gr. LTB 2 / IS 6912 Gr. FLB	1
2	Disc	Bronze	IS 318 Gr. LTB 2	1
3	Stem	Bronze	IS 318 Gr. LTB 2	1
4	Spring	Spring Steel	EN 47 Gr. B	1
5	Spring Disc	Bronze	IS 318 Gr. LTB 2	1
6	Chamber	Bronze	IS 318 Gr. LTB 2	1
7	Check Nut	Bronze	IS 318 Gr. LTB 2	1
8	Adjusting Screw	Bronze	IS 318 Gr. LTB 2	1
9	Disc Facing	Nitrile Rubber	IS 5192 - 1	1
10	Guide	Bronze	IS 318 Gr. LTB 2	1
11	Nut	Brass	---	1
12	Split Pin	Brass	---	1



Sizes / Dimensions

Size (Inches)	Size (mm)	A (Max.)	B
1/2*	15*	170	1/2"
3/4*	20*	170	3/4"
1*	25*	190	1"
1 1/4	32	203	1 1/4"
1 1/2	40	225	1 1/2"
2	50	265	2"

* For size 15, 20 & 25 the body is of Forged Brass

NOTE : Also available in Metal to Metal contact seating.

1094A Bronze Spring Loaded Safety Relief Valve, Enclosed Discharge (Screwed)

Salient Features

- Screwed Male End to IS 554 / BS 21 / ISO7.
- Enclosed Discharge Type.
- Metal to Rubber contact seating.

Test Pressure (Hydrostatic) :

Shell : 21.10 kg/cm²g (300 psig)

Seat : 10.55 kg/cm²g (150 psig)

Set Pressure Range : 0-10 kg/cm²g (Max.)

Maximum Working Temperature : 80°C

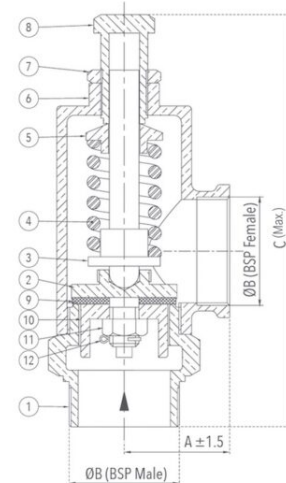
Suitable For

Water, Oil, Air



Materials

P.No.	Name of Part	Material of Construction	Specification	Qty.
1	Body	Bronze / Forged Brass	IS 318 Gr. LTB 2 / IS 6912 Gr. FLB	1
2	Disc	Bronze	IS 318 Gr. LTB 2	1
3	Stem	Bronze	IS 318 Gr. LTB 2	1
4	Spring	Spring Steel	EN 47 Gr. B	1
5	Spring Disc	Bronze	IS 318 Gr. LTB 2	1
6	Chamber	Bronze	IS 318 Gr. LTB 2	1
7	Check Nut	Bronze	IS 318 Gr. LTB 2	1
8	Adjusting Screw	Bronze	IS 318 Gr. LTB 2	1
9	Disc Facing	Nitrile Rubber	IS 5192 - 1	1
10	Guide	Bronze	IS 318 Gr. LTB 2	1
11	Nut	Brass	---	1
12	Split Pin	Brass	---	1



Sizes / Dimensions

Size (Inches)	Size (mm)	A ±1.5	B	C ~
1/2 [*]	15 [*]	33	1/2"	170
3/4 [*]	20 [*]	38.5	3/4"	170
1 [*]	25 [*]	45	1"	190
1 1/4	32	45	1 1/4"	203
1 1/2	40	47.5	1 1/2"	225
2	50	57	2"	265

* For size 15, 20 & 25 the body is of Forged Brass

NOTE : Also available in Metal to Metal contact seating.

1095 Forged Brass Air Release Valve (Screwed)

Salient Features

- Screwed male end as per IS 554 / BS 21 / ISO 7.
- Chrome plated forged brass body and cover.
- Full bore.
- Sleek in design, ease of installation.
- Handy device used to release entrapped air in any piping system.
- Smooth inner valves reduce pressure loss.
- Maintains system flow efficiency.
- Brilliant aesthetic look.
- Ergonomic design.

Test Pressure (Hydrostatic) :

Shell : 15 bar (220 psig)

Seat : 10 bar(150 psig)

Maximum Working Temperature : 110°C

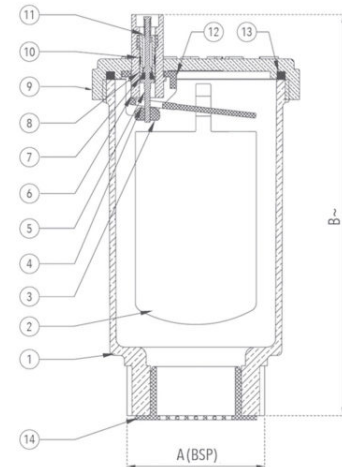


Suitable For

Water

Materials

P.No.	Name of Part	Material of Construction	Specification	Qty.
1	Body	Forged Brass (Chrome Plated)	IS 6912 Gr. FLB	1
2	Float	Polypropylene	---	1
3	Lock	Polypropylene	---	1
4	Hing	Polypropylene	---	1
5	Seat	Forged Brass	IS 6912 Gr. FLB	1
6	Chamber	Forged Brass	IS 6912 Gr. FLB	1
7	Ring	Nitrile Rubber	IS 5192 - 1	1
8	Valve	Brass	IS 319 Gr. 2	1
9	Cover	Forged Brass (Chrome Plated)	IS 6912 Gr. FLB	1
10	Ring	Nitrile Rubber	IS 5192 - 1	1
11	Spring	Stainless Steel	Type 304	1
12	Bracket	Polypropylene	---	1
13	'O' Ring	Nitrile Rubber	IS 5192 - 1	1
14	Strainer	Plastic	---	1



Sizes / Dimensions

Size (Inches)	Size (mm)	A	B ~
1/2	15	1/2"	75
3/4	20	3/4"	95
1	25	1"	97

~ ±10

1019A Bronze Ferrule Cock

Salient Features

- Design Standard IS 2692.
- Screwed Male Ends to BSPT as per IS 554 / BS 21/ ISO 7.
- Heavy Pattern, Rough Body, Full Flow.
- Metal to Rubber contact seating.
- Can withstand heavy impact of water as well as tolerance of high sudden pressure.

Test Pressure (Hydrostatic) :

Seat : 1.5 MPa

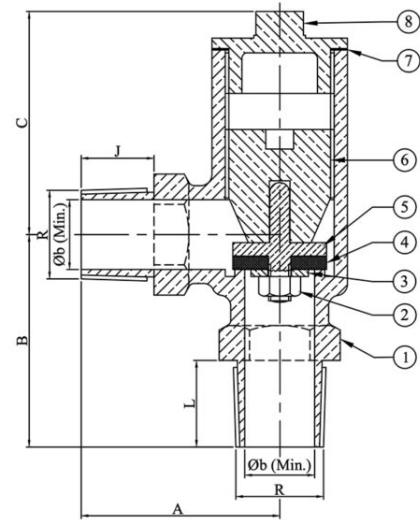
Suitable For

Water



Materials

P.No.	Name of Part	Material of Construction	Specification	Quantity
1	Body	Bronze	IS 318 Gr. LTB 2	1
2	Nut	Brass	IS 319 Grade 1(HB)	1
3	Washer	Brass	IS 410	1
4	Resilient Washer	Rubber	—	1
5	Washer Plate	Brass	IS 319 Grade 1(HB)	1
6	Plug	Bronze	IS 318 Gr. LTB 2	1
7	Gasket	Leather	—	1
8	Cap	Bronze	IS 318 Gr. LTB 2	1



Sizes / Dimensions

Size (Inches)	Size (mm)	A+3	B+3	C±5	R	øb(Min.)	L+2	J+2
1/4	8	50	55	60	1/4"	8.0	25	17
3/8	10	50	55	60	3/8"	8.8	25	17
1/2	15	55	60	70	1/2"	12.3	25	19
3/4	20	60	65	75	3/4"	17.8	25	20
1	25	70	75	85	1"	24.5	30	25