



# 1079B Cast Iron Sluice Valve PN 1.6 (Flanged)



## Salient Features

- Design Standard IS 14846 PN 1.6.
- Bolted Bonnet, Inside Screw, Non-Rising Stem.
- Rigid and Sturdy design.
- Handwheel Operated.
- Flange Ends as per IS 1538.

Test Pressure (Hydrostatic) :

Shell : 2.4 MPa

Seat : 1.6 MPa

Maximum Working Temperature : 45°C

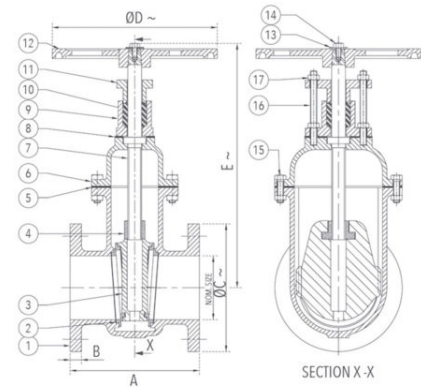
## Suitable For

Water



## Materials

P.No.	Name of Part	Material of Construction	Specification	Qty.
1	Body	Cast Iron	IS 210 Gr. FG 200	1
2	Seat Ring	Bronze	IS 318 Gr. LTB 2	4
3	Wedge	Cast Iron	IS 210 Gr. FG 200	1
4	Stem Bush	Bronze	IS 318 Gr. LTB 2	1
5	Gasket	Rubber	IS 638 Type B	1
6	Bonnet	Cast Iron	IS 210 Gr. FG 200	1
7	Stem	Stainless Steel	IS 6603 Gr. 12 Cr. 12	1
8	Gasket	Rubber	IS 638 Type B	1
9	Stuffing Box	Cast Iron	IS 210 Gr. FG 200	1
10	Gland Packing	Hemp & Jute	IS 5414	-
11	Gland Flange	Cast Iron	IS 210 Gr. FG 200	1
12	Handwheel	Cast Iron	IS 210 Gr. FG 200	1
13	Washer	Carbon Steel	---	1
14	Bolt	Carbon Steel	IS 1363 Part 1 Class 4.6	1
15	Bolt & Nut	Carbon Steel	IS 1363 Part 1 Class 4.6 IS 1363 Part 3 Class 4.0	As Reqd.
16	Stud / Bolt	Carbon Steel	IS 1363 Part 1 Class 4.6	2
17	Nut	Carbon Steel	IS 1363 Part 3 Class 4.0	As Reqd.



## Sizes / Dimensions

Size (Inches)	Size (mm)	A ±2	B	ØC	ØD ~	E ~
2*	50	178	16 +2	165	280	336
2 1/2*	65	190	16 +2	185	280	355
3	80	203	21 ±3	200	280	390
4	100	229	22 ±3	220	360	440
5	125	254	22.5 ±3	250	360	485
6	150	267	23 ±3	285	360	560
8	200	292	24.5 ±3	340	450	690
10	250	330	26 ±3	395	640	795
12	300	356	27.5 ±3	445	640	867

\* Flanges as per IS 14846.

**NOTE** : Valve is also available with Brass Spindle at a nominal extra cost.