

## 1031 Bronze Union Bonnet Globe Valve (Screwed)

### Salient Features

- Screwed Female Ends to IS 554 / BS 21 / ISO 7.
- Screwed on Bonnet, Rising Stem.
- Provision for re-packing under pressure.
- Renewable 13% Cr. Stainless Steel (S.S 410) working parts.
- Handwheel Operated.

Test Pressure (Hydrostatic) :

Shell : 35 kg/cm<sup>2</sup>g (500 psig)

Working Pressure (Steam) : 10.55 kg/cm<sup>2</sup>g (150 psig)

Maximum Working Temperature : 225°C

### Suitable For

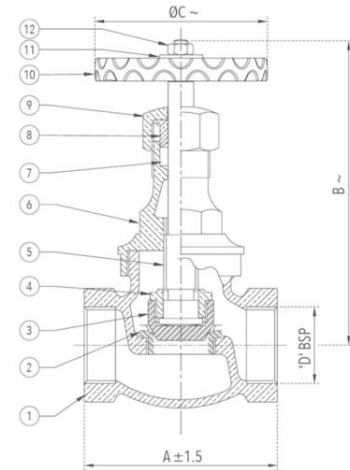
Steam, Water, Oil, Air\*, Gases\*

\*Also available with PTFE Seating for Air and Gas applications, at a nominal extra price.



### Materials

P.No.	Name of Part	Material of Construction	Specification	Quantity
1	Body	Bronze	IS 318 Gr. LTB 2	1
2	Body Seat Ring	Stainless Steel	ASTM A276 Type 410	1
3	Disc	Stainless Steel	ASTM A276 Type 410	1
4	Disc Nut	Bronze	IS 318 Gr. LTB 2	1
5	Stem	Stainless Steel	ASTM A276 Type 410	1
6	Bonnet	Bronze	IS 318 Gr. LTB 2	1
7	Gland Packing	Asbestos	---	-
8	Gland	Bronze	IS 318 Gr. LTB 2	1
9	Gland Nut	Bronze	IS 318 Gr. LTB 2	1
10	Handwheel	Cast Iron	IS 210 Gr. FG 200	1
11	Washer	Carbon Steel	---	1
12	Nut	Carbon Steel	---	1



### Sizes / Dimensions

Size (Inches)	Size (mm)	A ±1.5	B ~	ØC ~	D
1/4	8	60	110	70	1/4"
3/8	10	60	110	70	3/8"
1/2	15	68	117	70	1/2"
3/4	20	84	132	80	3/4"
1	25	95	148	86	1"
1 1/4	32	106	176	102	1 1/4"
1 1/2	40	120	188	115	1 1/2"
2	50	146	216	127	2"
2 1/2	65	180	248	170	2 1/2"
3	80	200	270	170	3"
4	100	248	332	190	4"

~ ±10

## 1032 Bronze Union Bonnet Globe Valve (Flanged)

### Salient Features

- Flanged Ends to BS 10 Table 'F'.
- Screwed on Bonnet, Rising Stem.
- Provision for re-packing under pressure.
- Renewable 13% Cr. Stainless Steel (S.S 410) working parts.
- Handwheel Operated.

Test Pressure (Hydrostatic) :

Shell : 35 kg/cm<sup>2</sup>g (500 psig)

Working Pressure (Steam) : 10.55 kg/cm<sup>2</sup>g (150 psig)

Maximum Working Temperature : 225°C

### Suitable For

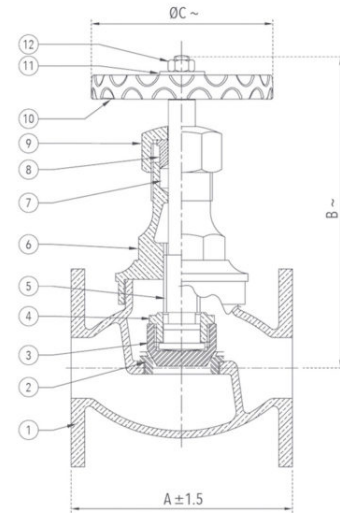
Steam, Water, Oil, Air\*, Gases\*

\*Also available with PTFE Seating for Air and Gas applications, at a nominal extra price.



### Materials

P.No.	Name of Part	Material of Construction	Specification	Quantity
1	Body	Bronze	IS 318 Gr. LTB 2	1
2	Body Seat Ring	Stainless Steel	ASTM A276 Type 410	1
3	Disc	Stainless Steel	ASTM A276 Type 410	1
4	Disc Nut	Bronze	IS 318 Gr. LTB 2	1
5	Stem	Stainless Steel	ASTM A276 Type 410	1
6	Bonnet	Bronze	IS 318 Gr. LTB 2	1
7	Gland Packing	Asbestos	---	-
8	Gland	Bronze	IS 318 Gr. LTB 2	1
9	Gland Nut	Bronze	IS 318 Gr. LTB 2	1
10	Hand Wheel	Cast Iron	IS 210 Gr. FG 200	1
11	Washer	Carbon Steel	---	1
12	Nut	Carbon Steel	---	1



### Sizes / Dimensions

Size (Inches)	Size (mm)	A ±1.5	B ~	ØC ~
1/2	15	82	117	70
3/4	20	96	132	80
1	25	112	148	86
1 1/4	32	119	176	102
1 1/2	40	132	188	115
2	50	157	216	127
2 1/2	65	185	248	170
3	80	213	270	170
4	100	248	332	190

~ ±10

## 1041 Bronze Globe Steam Stop Valve (Screwed) I.B.R

### Salient Features

- Screwed Female Ends to BSPT.
- Straight Pattern, Screwed in Bonnet, Inside Screw, Rising Stem.
- Provision for re-packing under pressure.
- Handwheel Operated.
- Premium Quality Lubricated Gland Packing.
- Renewable 13% Cr. Stainless Steel (S.S 410) working parts.
- Heat treated body seat ring and disc for extended life.

Test Pressure (Hydrostatic) :

Shell : 35.15 kg/cm<sup>2</sup>g (500 psig)

Working Pressure (Steam) : 17.58 kg/cm<sup>2</sup>g (250 psig)

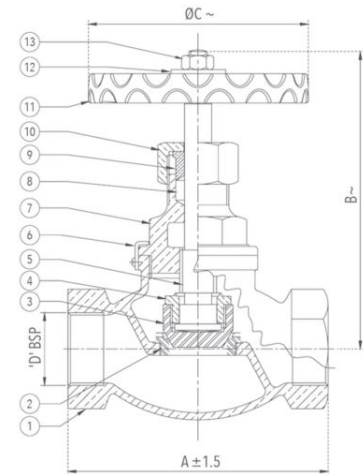
Maximum Working Temperature : 225°C

### Suitable For

Steam, Water

### Materials

P.No.	Name of Part	Material of Construction	Specification	Quantity
1	Body	Bronze	IBR 282 (a) (IV) Gr. B	1
2	Body Seat Ring	Stainless Steel	ASTM A276 Type 410	1
3	Disc	Stainless Steel	ASTM A276 Type 410	1
4	Disc Nut	Bronze	IBR 282 (a) (IV) Gr. B	1
5	Stem	Stainless Steel	ASTM A276 Type 410	1
6	Safety Lock	Brass Sheet	IS 410	1
7	Bonnet	Bronze	IBR 282 (a) (IV) Gr. B	1
8	Gland Packing	Asbestos	IS 4687	-
9	Gland	Bronze	IBR 282 (a) (IV) Gr. B	1
10	Gland Nut	Bronze	IBR 282 (a) (IV) Gr. B	1
11	Handwheel	Cast Iron	IS 210 Gr. FG 200	1
12	Washer	Carbon Steel	---	1
13	Nut	Carbon Steel	---	1



### Sizes / Dimensions

Size (Inches)	Size (mm)	A ± 1.5	B ~	ØC ~	D
1/2	15	83	115	90	1/2"
3/4	20	95	115	90	3/4"
1	25	111	130	102	1"
1 1/4	32	133	160	127	1 1/4"
1 1/2	40	152	168	127	1 1/2"
2	50	178	185	150	2"

~ ±10

## 1042 Bronze Globe Steam Stop Valve (Flanged) I.B.R.

### Salient Features

- Flanged Ends to BS 10 Table 'H'.
- Straight Pattern, Screwed in Bonnet, Inside Screw, Rising Stem.
- Provision for re-packing under pressure.
- Handwheel Operated.
- Premium Quality Lubricated Gland Packing.
- Renewable 13% Cr. Stainless Steel (S.S 410) working parts.
- Heat treated body seat ring and disc for extended life.

Test Pressure (Hydrostatic) :

Shell : 35.15 kg/cm<sup>2</sup>g (500 psig)

Working Pressure (Steam) : 17.58 kg/cm<sup>2</sup>g (250 psig)

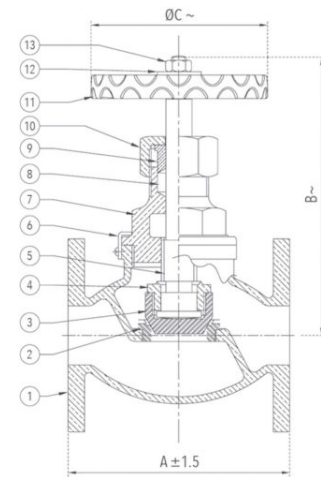
Maximum Working Temperature : 225°C

### Suitable For

Steam, Water

### Materials

P.No.	Name of Part	Material of Construction	Specification	Quantity
1	Body	Bronze	IBR 282 (a) (IV) Gr. B	1
2	Body Seat Ring	Stainless Steel	ASTM A276 Type 410	1
3	Disc	Stainless Steel	ASTM A276 Type 410	1
4	Disc Nut	Bronze	IBR 282 (a) (IV) Gr. B	1
5	Stem	Stainless Steel	ASTM A276 Type 410	1
6	Safety Lock	Brass Sheet	IS 410	1
7	Bonnet	Bronze	IBR 282 (a) (IV) Gr. B	1
8	Gland Packing	Asbestos	IS 4687	-
9	Gland	Bronze	IBR 282 (a) (IV) Gr. B	1
10	Gland Nut	Bronze	IBR 282 (a) (IV) Gr. B	1
11	Handwheel	Cast Iron	IS 210 Gr. FG 200	1
12	Washer	Carbon Steel	---	1
13	Nut	Carbon Steel	---	1



### Sizes / Dimensions

Size (Inches)	Size (mm)	A ±1.5	B ~	ØC ~
1/2	15	102	115	90
3/4	20	114	115	90
1	25	127	130	102
1 1/4	32	140	160	127
1 1/2	40	152	168	127
2	50	178	185	150

~ ±10

## 1043 Bronze Horizontal Lift Check Valve (Screwed) I.B.R

### Salient Features

- Screwed Female Ends to BSPT.
- Straight Pattern, Screwed / Bolted Cover.
- Renewable 13% Cr. Stainless Steel (S.S 410) working parts.

Test Pressure (Hydrostatic) :

Shell : 35.15 kg/cm<sup>2</sup>g (500 psig)

Working Pressure (Steam) : 17.58 kg/cm<sup>2</sup>g (250 psig)

Maximum Working Temperature : 225°C

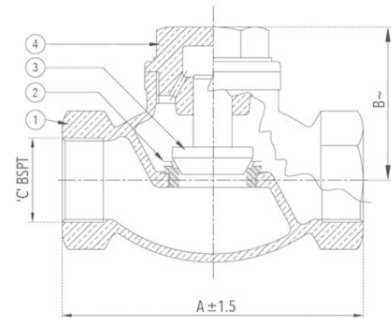
### Suitable For

Steam, Water



### Materials

P.No.	Name of Part	Material of Construction	Specification	Quantity
1	Body	Bronze	IBR 282 (a) (iv) Gr. B	1
2	Body Seat Ring	Stainless Steel	ASTM A276 Type 410	1
3	Disc	Stainless Steel	ASTM A276 Type 410	1
4	Cover	Bronze	IBR 282 (a) (iv) Gr. B	1



### Sizes / Dimensions

Size (Inches)	Size (mm)	A ±1.5	B ~	C
1/2	15	83	55	1/2"
3/4	20	95	55	3/4"
1	25	111	65	1"
1 1/4	32	133	78	1 1/4"
1 1/2	40	152	82	1 1/2"
2	50	178	91	2"

~ ±10

## 1044 Bronze Horizontal Lift Check Valve (Flanged)

### Salient Features

- Flanged Ends to BS 10 Table 'H'.
- Straight Pattern, Screwed / Bolted Cover.
- Renewable 13% Cr. Stainless Steel (S.S 410) working parts.

Test Pressure (Hydrostatic) :

Shell 35.15 kg/cm<sup>2</sup>g (500 psig)

Working Pressure (Steam) : 17.58 kg/cm<sup>2</sup>g (250 psig)

Maximum Working Temperature : 225°C

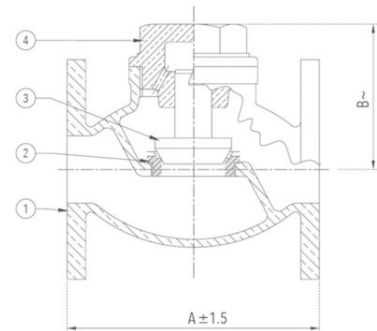
### Suitable For

Steam, Water



### Materials

P.No.	Name of Part	Material of Construction	Specification	Quantity
1	Body	Bronze	IBR 282 (a) (iv) Gr. B	1
2	Body Seat Ring	Stainless Steel	ASTM A276 Type 410	1
3	Disc	Stainless Steel	ASTM A276 Type 410	1
4	Cover	Bronze	IBR 282 (a) (iv) Gr. B	1



### Sizes / Dimensions

Size (Inches)	Size (mm)	A ± 1.5	B ~
1/2	15	102	55
3/4	20	114	55
1	25	127	65
1 1/4	32	140	78
1 1/2	40	152	82
2	50	178	91

~ ±10

## 1045 Bronze Vertical Lift Check Valve (Screwed)

### Salient Features

- Screwed Female Ends to BSPT.
- Renewable 13% Cr. Stainless Steel (S.S 410) working parts.
- Two Piece Design.

Test Pressure (Hydrostatic) :  
Shell 35.15 kg/cm<sup>2</sup>g (500 psig)  
Working Pressure (Steam) : 17.58 kg/cm<sup>2</sup>g (250 psig)  
Maximum Working Temperature : 225°C

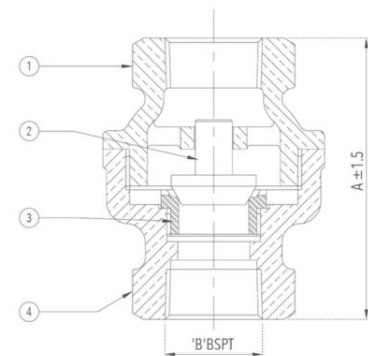
### Suitable For

Steam, Water



### Materials

P.No.	Name of Part	Material of Construction	Specification	Quantity
1	Outlet Body	Bronze	IBR 282 (a) (iv) Gr. B	1
2	Disc	Stainless Steel	ASTM A276 Type 410	1
3	Body Seat Ring	Stainless Steel	ASTM A276 Type 410	1
4	Inlet Body	Bronze	IBR 282 (a) (iv) Gr. B	1



### Sizes / Dimensions

Size (Inches)	Size (mm)	A ± 1.5	B
1/2	15	73	1/2"
3/4	20	76	3/4"
1	25	90	1"
1 1/4	32	114	1 1/4"
1 1/2	40	127	1 1/2"
2	50	152	2"



## 1046 Bronze Vertical Lift Check Valve (Flanged)

I.B.R

### Salient Features

- Flanged Ends to BS 10 Table 'H'.
- Renewable 13% Cr. Stainless Steel (S.S 410) working parts.
- Two Piece Design.

Test Pressure (Hydrostatic) :

Shell : 35.15 kg/cm<sup>2</sup>g (500 psig)

Working Pressure (Steam) : 17.58 kg/cm<sup>2</sup>g (250 psig)

Maximum Working Temperature : 225°C

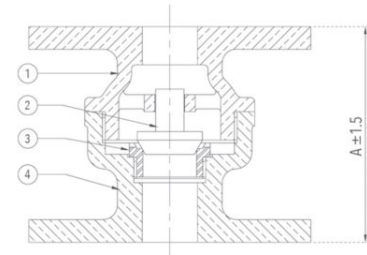
### Suitable For

Steam, Water



### Materials

P.No.	Name of Part	Material of Construction	Specification	Quantity
1	Outlet Body	Bronze	IBR 282 (a) (iv) Gr. B	1
2	Disc	Stainless Steel	ASTM A276 Type 410	1
3	Body Seat Ring	Stainless Steel	ASTM A276 Type 410	1
4	Inlet Body	Bronze	IBR 282 (a) (iv) Gr. B	1



### Sizes / Dimensions

Size (Inches)	Size (mm)	A ± 1.5
1/2	15	70
3/4	20	76
1	25	95
1 1/4	32	102
1 1/2	40	123
2	50	140



## 1047 Bronze Asbestos Packed Water Level Gauge (Screwed) I.B.R

### Salient Features

- Screwed Male End to BSP.
- Asbestos Gland Packing.
- Set available for both, Right Hand and Left Hand operations.
- Polished Body.

Test Pressure (Hydrostatic) :

Shell : 21.10 kg/cm<sup>2</sup>g (300 psig)

Working Pressure (Steam) : 10.55 kg/cm<sup>2</sup>g (150 psig).

Maximum Working Temperature : 225°C

### Suitable For

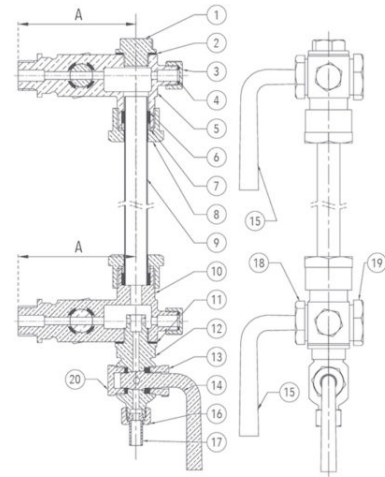
Steam, Water



### Materials

P.No.	Name of Part	Material of Construction	Specification	Quantity
1	Plug	Bronze	IBR 282 (a) (iv) Gr. B	1
2	Gasket	Steam Jointing Sheet	IS 2712 Gr. W/3	1
3	Lock Nut	Bronze	IBR 282 (a) (iv) Gr. B	2
4	Gasket	Steam Jointing Sheet	IS 2712 Gr. W/3	2
5	Upper Arm	Bronze	IBR 282 (a) (iv) Gr. B	1
6	Gland Packing	Graphite Asbestos	IS 4687	-
7	Gland	Bronze	IBR 282 (a) (iv) Gr. B	2
8	Gland Nut	Bronze	IBR 282 (a) (iv) Gr. B	2
9	Glass Tube*	Toughened Glass	- - -	1
10	Lower Arm	Bronze	IBR 282 (a) (iv) Gr. B	1
11	Gasket	Steam Jointing Sheet	IS 2712 Gr. W/3	1
12	Drain Valve	Bronze	IBR 282 (a) (iv) Gr. B	1
13	Lock Nut	Bronze	IBR 282 (a) (iv) Gr. B	1
14	Handle	Bronze	IBR 282 (a) (iv) Gr. B	1
15	Handle	Bronze	IBR 282 (a) (iv) Gr. B	2
16	Union Nut	Bronze	IBR 282 (a) (iv) Gr. B	1
17	Tail Pipe	Bronze	IBR 282 (a) (iv) Gr. B	1
18	Lock Nut	Bronze	IBR 282 (a) (iv) Gr. B	2
19	Bottom Nut	Bronze	IBR 282 (a) (iv) Gr. B	2
20	Bottom Nut	Bronze	IBR 282 (a) (iv) Gr. B	1

\* Glass Tube is not provided with this product.



### Sizes / Dimensions

Size (Inches)	Size (mm)	A
1/2	15	102
3/4	20	125

## 1048 Bronze Asbestos Packed Water Level Gauge (Flanged) I.B.R

### Salient Features

- Flanged End to BS 10 Table 'F'.
- Asbestos Gland Packing.
- Set available for both, Right Hand and Left Hand operations.
- Polished Body.

Test Pressure (Hydrostatic) :  
Shell : 21.10 kg/cm<sup>2</sup>g (300 psig)  
Working Pressure (Steam) : 10.55 kg/cm<sup>2</sup>g (150 psig)  
Maximum Working Temperature : 225°C

### Suitable For

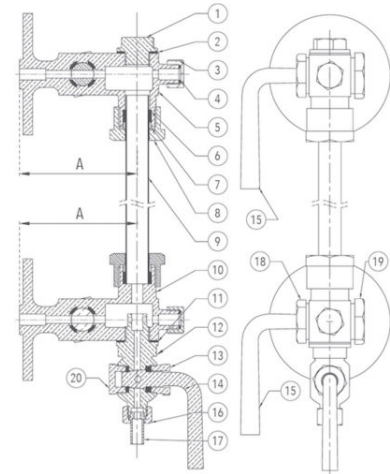
Steam, Water



### Materials

P.No.	Name of Part	Material of Construction	Specification	Quantity
1	Plug	Bronze	IBR 282 (a) (iv) Gr. B	1
2	Gasket	Steam Jointing Sheet	IS 2712 Gr. W/3	1
3	Lock Nut	Bronze	IBR 282 (a) (iv) Gr. B	2
4	Gasket	Steam Jointing Sheet	IS 2712 Gr. W/3	2
5	Upper Arm	Bronze	IBR 282 (a) (iv) Gr. B	1
6	Gland Packing	Graphite Asbestos	IS 4687	-
7	Gland	Bronze	IBR 282 (a) (iv) Gr. B	2
8	Gland Nut	Bronze	IBR 282 (a) (iv) Gr. B	2
9	Glass Tube*	Toughened Glass	- - -	1
10	Lower Arm	Bronze	IBR 282 (a) (iv) Gr. B	1
11	Gasket	Steam Jointing Sheet	IS 2712 Gr. W/3	1
12	Drain Valve	Bronze	IBR 282 (a) (iv) Gr. B	1
13	Lock Nut	Bronze	IBR 282 (a) (iv) Gr. B	1
14	Handle	Bronze	IBR 282 (a) (iv) Gr. B	1
15	Handle	Bronze	IBR 282 (a) (iv) Gr. B	2
16	Union Nut	Bronze	IBR 282 (a) (iv) Gr. B	1
17	Tail Pipe	Bronze	IBR 282 (a) (iv) Gr. B	1
18	Lock Nut	Bronze	IBR 282 (a) (iv) Gr. B	2
19	Bottom Nut	Bronze	IBR 282 (a) (iv) Gr. B	2
20	Bottom Nut	Bronze	IBR 282 (a) (iv) Gr. B	1

\* Glass Tube is not provided with this product.



### Sizes / Dimensions

Size (Inches)	Size (mm)	A
1/2	15	77
3/4	20	96

## 1049 Bronze Sleeve Packed Water Level Gauge (Screwed) I.B.R

### Salient Features

- Screwed Male End to BSP.
- Automatic Shut Off Device in Water Arm.
- Set available for both, Right Hand and Left Hand operations.
- Premium Quality Sleeve, Reinforced by metallic eye holes provided to avoid any clogging of passage.
- Each piece is fitted with self adjusting inverted taper plug (Stainless Steel) which forms a seal in the renewable moulded asbestos sleeve.
- Sleeve can easily be positioned by a rib which fits in the corresponding groove of the body.

Test Pressure (Hydrostatic) :

Shell : 35.15 kg/cm<sup>2</sup>g (500 psig)

Working Pressure (Steam) : 17.58 kg/cm<sup>2</sup>g (250 psig)

Maximum Working Temperature : 225°C

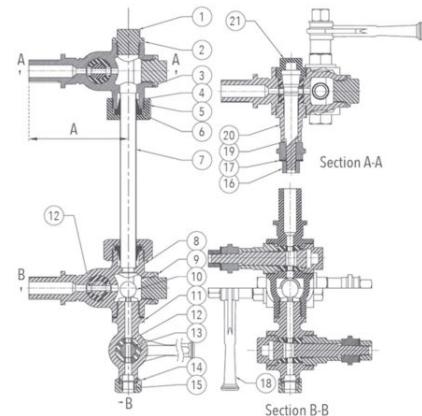
### Suitable For

Steam, Water

### Materials

P.No.	Name of Part	Material of Construction	Specification	Quantity
1	Plug	Bronze	IBR 282 (a) (iv) Gr. B	2
2	Gasket	Steam Jointing Sheet	IS 2712 Gr. W/3	4
3	Upper Arm	Bronze	IBR 282 (a) (iv) Gr. B	1
4	Cone	Synthetic Rubber	IS 5192-1	2
5	Nut	Bronze	IBR 282 (a) (iv) Gr. B	2
6	Washer	Bronze	IBR 282 (a) (iv) Gr. B	2
7	Glass Tube*	Toughened Glass	---	1
8	Lower Arm	Bronze	IBR 282 (a) (iv) Gr. B	1
9	Plug	Bronze	IBR 282 (a) (iv) Gr. B	1
10	Ball	Stainless Steel	ASTM A 276 Type 304	1
11	Drain Valve	Bronze	IBR 282 (a) (iv) Gr. B	1
12	Sleeve Bush	Bronze	IBR 282 (a) (iv) Gr. B	6
13	Sleeve	Moulded Asbestos	---	3
14	Union Nut	Bronze	IBR 282 (a) (iv) Gr. B	1
15	Nipple	Bronze	IBR 282 (a) (iv) Gr. B	1
16	Nut	Carbon Steel	---	3
17	Name Plate	Brass / Aluminium	---	3
18	Handle	Bronze	IBR 282 (a) (iv) Gr. B	3
19	Stem	Stainless Steel	ASTM A 276 Type 410	3
20	Bonnet	Bronze	IBR 282 (a) (iv) Gr. B	3
21	Lock Nut	Bronze	IBR 282 (a) (iv) Gr. B	3

\* Glass Tube is not provided with this product.



### Sizes / Dimensions

Size (Inches)	Size (mm)	A
1/2	15	118
3/4	20	118

## 1050 Bronze Sleeve Packed Water Level Gauge (Flanged) I.B.R

### Salient Features

- Flanged End to BS 10 Table 'H'.
- Automatic Shut Off Device in Water Arm.
- Set available for both, Right Hand and Left Hand operations.
- Premium Quality Sleeve, Reinforced by metallic eye holes provided to avoid any clogging of passage.
- Each piece is fitted with self adjusting inverted taper plug (Stainless Steel) which forms a seal in the renewable moulded asbestos sleeve.
- Sleeve can easily be positioned by a rib which fits in the corresponding groove of the body.

Test Pressure (Hydrostatic) :

Shell : 35.15 kg/cm<sup>2</sup>g (500 psig)

Working Pressure (Steam) : 17.58 kg/cm<sup>2</sup>g (250 psig)

Maximum Working Temperature : 225°C

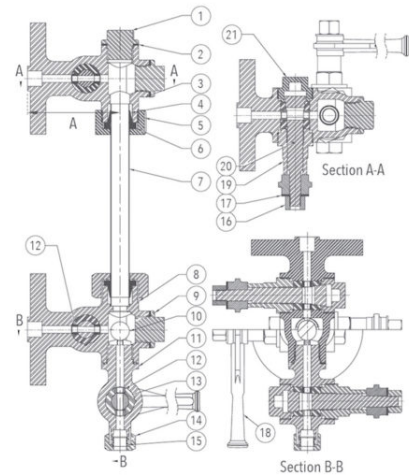
### Suitable For

Steam, Water

### Materials

P.No.	Name of Part	Material of Construction	Specification	Quantity
1	Plug	Bronze	IBR 282 (a) (iv) Gr. B	2
2	Gasket	Steam Jointing Sheet	IS 2712 Gr. W/3	4
3	Upper Arm	Bronze	IBR 282 (a) (iv) Gr. B	1
4	Cone	Synthetic Rubber	IS 5192-1	2
5	Nut	Bronze	IBR 282 (a) (iv) Gr. B	2
6	Washer	Bronze	IBR 282 (a) (iv) Gr. B	2
7	Glass Tube*	Toughened Glass	---	1
8	Lower Arm	Bronze	IBR 282 (a) (iv) Gr. B	1
9	Plug	Bronze	IBR 282 (a) (iv) Gr. B	1
10	Ball	Stainless Steel	ASTM A 276 Type 304	1
11	Drain Valve	Bronze	IBR 282 (a) (iv) Gr. B	1
12	Sleeve Bush	Bronze	IBR 282 (a) (iv) Gr. B	6
13	Sleeve	Moulded Asbestos	---	3
14	Union Nut	Bronze	IBR 282 (a) (iv) Gr. B	1
15	Nipple	Bronze	IBR 282 (a) (iv) Gr. B	1
16	Nut	Carbon Steel	---	3
17	Name Plate	Brass / Aluminium	---	3
18	Handle	Bronze	IBR 282 (a) (iv) Gr. B	3
19	Stem	Stainless Steel	ASTM A276 Type 410	3
20	Bonnet	Bronze	IBR 282 (a) (iv) Gr. B	3
21	Lock Nut	Bronze	IBR 282 (a) (iv) Gr. B	3

\* Glass Tube is not provided with this product.



### Sizes / Dimensions

Size (Inches)	Size (mm)	A
1/2	15	80
3/4	20	92

## 1052 Bronze Parallel Slide Blow Off Valve (Flanged) I.B.R

### Salient Features

- Flanged Ends to BS 10 Table 'H'.
- Maintains fluid tightness and easy in operation because of sliding action of discs.
- Discs are kept in close contact with body rings by means of a spring when the valve is under pressure.
- Premium Quality Lubricated Gland Packing.
- Bolted Bonnet.
- Valve is operated by means of Rack and Pinion arrangement, in such a manner that valve is opened fully with half turn of the box key.
- Gland forms a locking guard which prevents removal of the key unless the valve is closed.



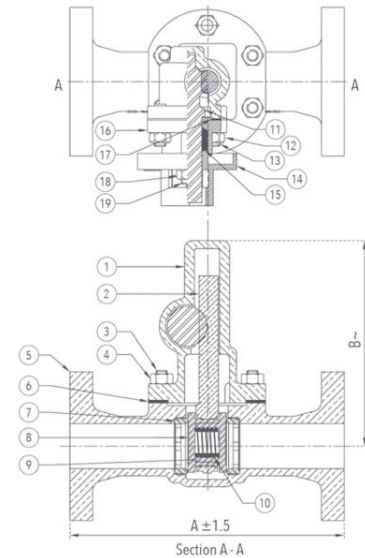
Test Pressure (Hydrostatic) :  
Shell : 35.15 kg/cm<sup>2</sup>g (500 psig)  
Working Pressure (Steam) : 17.58 kg/cm<sup>2</sup>g (250 psig)  
Maximum Working Temperature : 225°C

### Suitable For

Steam, Water

### Materials

P.No.	Name of Part	Material of Construction	Specification	Quantity
1	Bonnet	Bronze	IBR 282 (a) (iv) Gr. B	1
2	Rack	Bronze	IBR 282 (a) (iv) Gr. B	1
3	Studs	Alloy Steel	ASTM A193 Gr. B7	As Reqd.
4	Nuts	H.T Steel	ASTM A194 Gr. 2H	As Reqd.
5	Body	Bronze	IBR 282 (a) (iv) Gr. B	1
6	Gasket	Steam Joining Sheet	IS 2712 Gr. W/3	1
7	Body Seat Ring	Stainless Steel	ASTM A 276 Type 410	1
8	Male Disc	Stainless Steel	ASTM A 276 Type 410	1
9	Female Disc	Stainless Steel	ASTM A 276 Type 410	1
10	Spring	Stainless Steel	IS 4454 Part 4 Gr. 2	1
11	Pinion	Stainless Steel	ASTM A 276 Type 410	1
12	Nuts	H.T. Steel	ASTM A194 Gr. 2H	As Reqd.
13	Studs	Alloy Steel	ASTM A193 Gr. B7	As Reqd.
14	Gland	Bronze	IBR 282 (a) (iv) Gr. B	1
15	Gland Packing	Graphited Asbestos	IS 4687	-
16	Stuffing Box	Bronze	IBR 282 (a) (iv) Gr. B	1
17	Gasket	Steam Joining Sheet	IS 2712 Gr. W/3	1
18	Nuts	H.T. Steel	ASTM A194 Gr. 2H	As Reqd.
19	Studs	Alloy Steel	ASTM A193 Gr. B7	As Reqd.



### Sizes / Dimensions

Size (Inches)	Size (mm)	A ±1.5	B ~
1	25	169	138
1 1/4	32	178	157
1 1/2	40	190	204
2	50	206	206

~ ±10

## 1053 Bronze Y-Type Strainer (Screwed)

### Salient Features

- Screwed Female Ends to BSPT.
- Stainless Steel (S.S 304) Ø1 mm perforated sheet screen is guided in the body and cover.
- Fine finish and smooth contours reduce pressure drop in the strainer.
- Large screening area makes the strainer efficient in performance.

Test Pressure (Hydrostatic) :

Shell : 35.15 kg/cm<sup>2</sup>g (500 psig)

Working Pressure (Steam) : 17.58 kg/cm<sup>2</sup>g (250 psig)

Maximum Working Temperature : 225°C

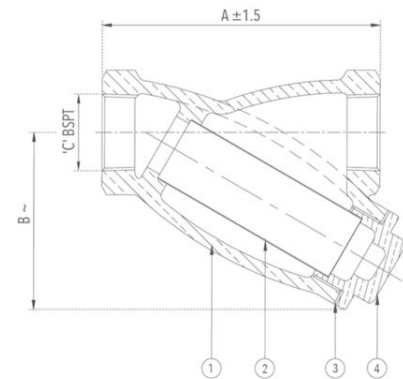


### Suitable For

Steam, Water

### Materials

P.No.	Name of Part	Material of Construction	Specification	Quantity
1	Body	Bronze	IBR 282 (a) (iv) Gr. B	1
2	Screen (Ø1 mm Perforation)	Stainless Steel	Type 304	1
3	Gasket	Steam Jointing Sheet	IS 2712 Gr. W/3	1
4	Cover	Bronze	IBR 282 (a) (iv) Gr. B	1



### Sizes / Dimensions

Size (Inches)	Size (mm)	A ±1.5	B ~	C
1/2	15	76	56	1/2"
3/4	20	98	67	3/4"
1	25	133	97	1"
1 1/4	32	152	108	1 1/4"
1 1/2	40	178	116	1 1/2"
2	50	222	140	2"

~ ±10



## 1053A Forged Brass Y-Type Strainer (Screwed) PN 25

### Salient Features

- Screwed Female Ends to BSP.
- Stainless Steel (S.S 304) Ø1 mm perforated sheet screen is guided in the body and cover.
- Fine finish and smooth contours reduce pressure drop in the strainer.
- Large screening area makes the strainer efficient in performance.

Test Pressure (Hydrostatic) :

Shell : 35 kg/cm<sup>2</sup>g (500 psig)

Working Pressure : 25 kg/cm<sup>2</sup>g (350 psig)

### Suitable For

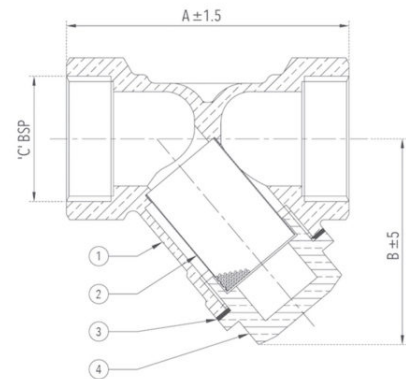
Steam\*, Water, Oil, Air\*, Gases\*

\*Suitable for pressure upto 6.9 kg/cm<sup>2</sup>g (100 psig)



### Materials

P.No.	Name of Part	Material of Construction	Specification	Quantity
1	Body	Forged Brass	IS 6912 Gr. FLB	1
2	Screen (Ø1 mm Perforation)	Stainless Steel	Type 304	1
3	Gasket	PTFE	BS EN 12086-1	1
4	Cover	Forged Brass	IS 6912 Gr. FLB	1



### Sizes / Dimensions

Size (Inches)	Size (mm)	A ± 1.5	B ± 5	C
1/2	15	54	45	1/2"
3/4	20	67.5	56	3/4"
1	25	75	56	1"
1 1/4	32	94	73	1 1/4"
1 1/2	40	100	80	1 1/2"
2	50	126	99	2"



## 1054 Bronze Y-Type Strainer (Flanged) <sup>I.B.R.</sup>

### Salient Features

- Flanged Ends to BS 10 Table 'H'.
- Stainless Steel (S.S 304) Ø1 mm perforated sheet screen is guided in the body and cover.
- Fine finish and smooth contours reduce pressure drop in the strainer.
- Large screening area makes the strainer efficient in performance.

Test Pressure (Hydrostatic) :

Shell : 35.15 kg/cm<sup>2</sup>g (500 psig)

Working Pressure (Steam) : 17.58 kg/cm<sup>2</sup>g (250 psig)

Maximum Working Temperature : 225°C

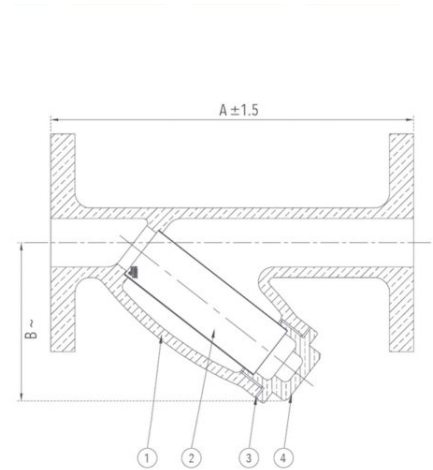
### Suitable For

Steam, Water



### Materials

P.No.	Name of Part	Material of Construction	Specification	Quantity
1	Body	Bronze	IBR 282 (a) (iv) Gr. B	1
2	Screen (Ø1 mm Perforation)	Stainless Steel	Type 304	1
3	Gasket	Steam Jointing Sheet	IS 2712 Gr. W/3	1
4	Cover	Bronze	IBR 282 (a) (iv) Gr. B	1



### Sizes / Dimensions

Size (Inches)	Size (mm)	A ± 1.5	B ~
1/2	15	136	68
3/4	20	140	85
1	25	162	110
1 1/4	32	178	120
1 1/2	40	203	145
2	50	203	188

~ ±10

## 1055 Bronze Thermodynamic Steam Trap (Screwed)

### Salient Features

- Screwed Female Ends to BSPT.
- Provided with integral strainer for trouble free service.
- Stainless Steel (Type 304) Ø0.5 mm perforated sheet screen.
- Renewable 13% Cr. Stainless Steel (S.S 410) working parts.

Test Pressure (Hydrostatic) :

Shell : 35.15 kg/cm<sup>2</sup>g (500 psig)

Working Pressure (Steam) : 17.58 kg/cm<sup>2</sup>g (250 psig)

Maximum Working Temperature : 225°C

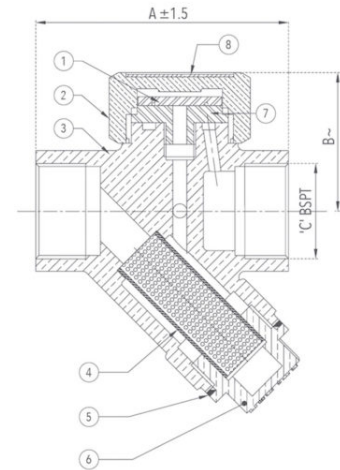
### Suitable For

Steam



### Materials

P.No.	Name of Part	Material of Construction	Specification	Quantity
1	Disc	Stainless Steel	ASTM A 276 Type 410	1
2	Cover	Stainless Steel	ASTM A 276 Type 410	1
3	Body	Bronze	IBR 282 (a) (iv) Gr. B	1
4	Screen (Ø0.5 mm Perforation)	Stainless Steel	Type 304	1
5	Gasket	Steam Jointing Sheet	IS 2712 Gr. W/3	1
6	Plug	Stainless Steel	ASTM A 276 Type 410	1
7	Seat	Stainless Steel	ASTM A 276 Type 410	1
8	Name Plate	Aluminium	---	1



### Sizes / Dimensions

Size (Inches)	Size (mm)	A ± 1.5	B ~	C
1/2	15	78	52	1/2"
3/4	20	96	52	3/4"
1	25	120	63	1"

~ ±10

## 1063 Bronze Fusible Plug (One Piece Design) I.B.R

### Salient Features

- Screwed Male End to BSPT.
- One Piece Design.
- Premium Quality Fusible Alloy used.

Test Pressure (Hydrostatic) :

Shell : 35.15 kg/cm<sup>2</sup>g (500 psig)

Working Pressure (Steam) : 17.58 kg/cm<sup>2</sup>g (250 psig)

Maximum Working Temperature : 225°C

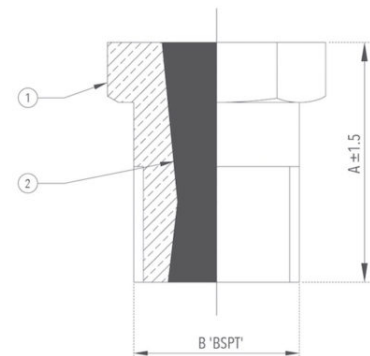
### Suitable For

Steam



### Materials

P.No.	Name of Part	Material of Construction	Specification	Quantity
1	Body	Bronze	IBR 282 (a) (iv) Gr. B	1
2	Fusible Alloy	Pb-Sn-Alloy	IBR 333	1



### Sizes / Dimensions

Size (Inches)	Size (mm)	A ± 1.5	B
1/2	15	32	1/2"
3/4	20	38	3/4"
1	25	44	1"

## 1064 Bronze Fusible Plug (Two Piece Design) I.B.R

### Salient Features

- Screwed Male End to BSPT.
- Two Piece Design.
- Premium Quality Fusible Alloy used.

Test Pressure (Hydrostatic) :

Shell : 35.15 kg/cm<sup>2</sup>g (500 psig)

Working Pressure (Steam) : 17.58 kg/cm<sup>2</sup>g (250 psig)

Maximum Working Temperature : 225°C

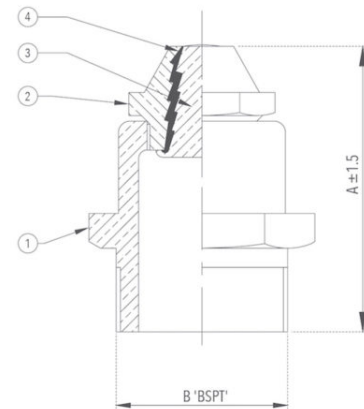
### Suitable For

Steam



### Materials

P.No.	Name of Part	Material of Construction	Specification	Quantity
1	Body	Bronze	IBR 282 (a) (iv) Gr. B	1
2	Cone	Bronze	IBR 282 (a) (iv) Gr. B	1
3	Plug	Bronze	IBR 282 (a) (iv) Gr. B	1
4	Fusible Alloy	Pb-Sn-ALLOY	IBR 333	1



### Sizes / Dimensions

Size (Inches)	Size (mm)	A ± 1.5	B
1/2	15	52	1/2"
3/4	20	56	3/4"
1	25	70	1"
1 1/4	32	82	1 1/4"
1 1/2	40	88	1 1/2"
2	50	102	2"

**NOTE :** Spare cone also available for this product as per our Price List Article No. 1064A.

## 1065 Cast Iron Globe Steam Stop Valve Straight Pattern (Flanged) I.B.R.

### Salient Features

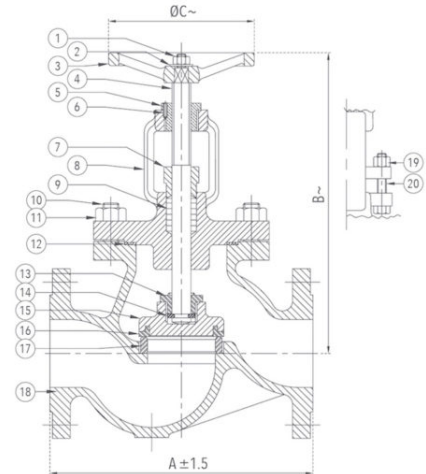
- Flanged Ends to DIN 2533 PN 16RF.
- Straight Pattern, Outside Screw, Yoke Type, Rising Stem.
- Renewable 13% Cr. Stainless Steel (S.S 410) working parts.
- Provision for re-packing under pressure.
- Minimum pressure drop inside the body due to streamlined body design.
- High lift of the seat to avoid any obstruction in the flow.
- Sturdy and comparatively bigger sized wheel provided to give sufficient torque for easy operation.

Test Pressure (Hydrostatic) :  
Shell : 26 kg/cm<sup>2</sup>g (370 psig)  
Working Pressure (Steam) : 13 kg/cm<sup>2</sup>g (185 psig)  
Maximum Working Temperature : 220°C

**Suitable For**  
Steam, Water

### Materials

P.No.	Name of Part	Material of Construction	Specification	Quantity
1	Nut	Carbon Steel	---	1
2	Washer	Carbon Steel	---	1
3	Handwheel	Cast Iron	IS 210 Gr. FG 200	1
4	Stem	Stainless Steel	ASTM 276 Type 410	1
5	Yoke Bush	Bronze	IS 318 Gr. LTB 2	1
6	Locking Screw	Carbon Steel	---	1
7	Gland Flange	Cast Iron	IBR 86-93 Gr. A	1
8	Bonnet	Cast Iron	IBR 86-93 Gr. A	1
9	Gland Packing	Braided Graphited Asbestos	IS 4687	-
10	Studs	Carbon Steel	IS 1367	As Reqd.
11	Nuts	Carbon Steel	IS 1367	As Reqd.
12	Gasket	Steam Jointing Sheet	IS 2712 Gr. W/3	1
13	Stem Nut	Stainless Steel	ASTM A 276 Type 410	1
14	Stem Ring	Stainless Steel	ASTM A 276 Type 410	1
15	Disc	Cast Iron	IBR 86-93 Gr. A	1
16	Seat Ring	Stainless Steel	ASTM A 276 Type 410 / ASTM A 182 Gr. F6a	1
17	Body Seat Ring	Stainless Steel	ASTM A 276 Type 410 / ASTM A 182 Gr. F6a	1
18	Body	Cast Iron	IBR 86-93 Gr. A	1
19	Nuts	Carbon Steel	IS 1367	2
20	Bolts	Carbon Steel	IS 1367	2



### Sizes / Dimensions

Size (Inches)	Size (mm)	A ±1.5	B~	ØC~
1/2	15	130	166	96
3/4	20	150	166	96
1	25	160	180	118
1 1/4	32	180	196	118
1 1/2	40	200	228	150
2	50	230	250	150
2 1/2	65	290	280	180

Size (Inches)	Size (mm)	A ±1.5	B~	ØC~
3	80	310	295	200
4	100	350	335	235
5	125	400	409	285
6	150	480	470	350
8*	200	600	580	435

\* Pressure and Temperature for 200 mm Valve is as per PN10 and flanges to PN 10RF.  
~ ±10

## 1066 Cast Iron Globe Steam Stop Valve Angle Pattern (Flanged) I.B.R.

### Salient Features

- Flanged Ends to DIN 2533 PN 16RF.
- Angle Pattern, Outside Screw, Yoke Type, Rising Stem.
- Renewable 13% Cr. Stainless Steel (S.S 410) working parts.
- Provision for re-packing under pressure.
- Minimum pressure drop inside the body due to streamlined body design.
- High lift of the seat to avoid any obstruction in the flow.
- Sturdy and comparatively bigger sized wheel provided to give sufficient torque for easy operation.

Test Pressure (Hydrostatic) :

Shell : 26 kg/cm<sup>2</sup>g (370 psig)

Working Pressure (Steam) : 13 kg/cm<sup>2</sup>g (185 psig)

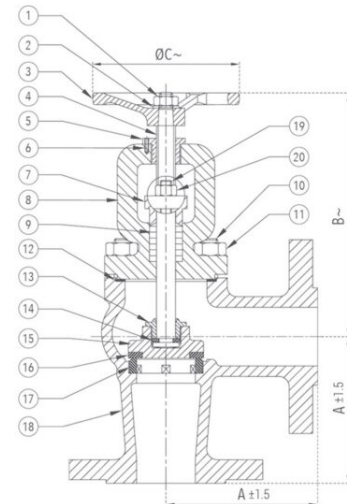
Maximum Working Temperature : 220°C

### Suitable For

Steam, Water

### Materials

P.No.	Name of Part	Material of Construction	Specification	Quantity
1	Nut	Carbon Steel	---	1
2	Washer	Carbon Steel	---	1
3	Handwheel	Cast Iron	IS 210 Gr. FG 200	1
4	Stem	Stainless Steel	ASTM 276 Type 410	1
5	Yoke Bush	Bronze	IS 318 Gr. LTB 2	1
6	Locking Screw	Carbon Steel	---	1
7	Gland Flange	Cast Iron	IBR 86-93 Gr. A	1
8	Bonnet	Cast Iron	IBR 86-93 Gr. A	1
9	Gland Packing	Braided Graphited Asbestos	IS 4687	-
10	Studs	Carbon Steel	IS 1367	As Reqd.
11	Nuts	Carbon Steel	IS 1367	As Reqd.
12	Gasket	Steam Jointing Sheet	IS 2712 Gr. W/3	1
13	Stem Nut	Stainless Steel	ASTM A 276 Type 410	1
14	Stem Ring	Stainless Steel	ASTM A 276 Type 410	1
15	Disc	Cast Iron	IBR 86-93 Gr. A	1
16	Seat Ring	Stainless Steel	ASTM A 276 Type 410 / ASTM A 182 Gr. F6a	1
17	Body Seat Ring	Stainless Steel	ASTM A 276 Type 410 / ASTM A 182 Gr. F6a	1
18	Body	Cast Iron	IBR 86-93 Gr. A	1
19	Nuts	Carbon Steel	IS 1367	2
20	Bolts	Carbon Steel	IS 1367	2



### Sizes / Dimensions

Size (Inches)	Size (mm)	A ±1.5	B ~	ØC ~
1/2	15	90	150	96
3/4	20	95	154	96
1	25	100	162	118
1 1/4	32	105	176	118
1 1/2	40	115	204	150
2	50	125	223	150
2 1/2	65	145	250	180



Size (Inches)	Size (mm)	A±1.5	B ~	ØC ~
3	80	155	275	200
4	100	175	305	235
6	150	225	419	350
8*	200	275	475	435

\* Pressure and Temperature for 200 mm Valve is as per PN10 and flanges to PN 10RF.

~ ±10

## 1067 Cast Iron Horizontal Lift Check Valve Straight Pattern (Flanged)

I.B.R

### Salient Features

- Flanged Ends to DIN 2533 PN 16RF.
- Straight Pattern, Bolted Cover.
- Renewable 13% Cr. Stainless Steel (S.S 410) working parts.
- Minimum pressure drop inside the body due to streamlined body design.

Test Pressure (Hydrostatic) :

Shell : 26 kg/cm<sup>2</sup>g (370 psig)

Working Pressure (Steam) : 13 kg/cm<sup>2</sup>g (185 psig)

Maximum Working Temperature : 220°C

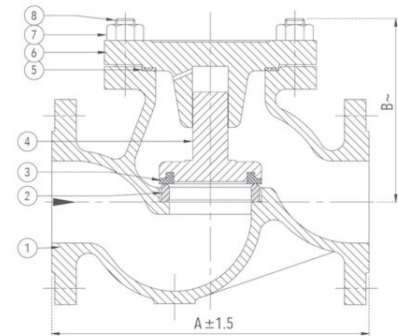
### Suitable For

Steam, Water



### Materials

P.No.	Name of Part	Material of Construction	Specification	Qty.
1	Body	Cast Iron	IBR 86-93 Gr. A	1
2	Body Seat Ring	Stainless Steel	ASTMA 276 Type 410 / ASTMA 182 Gr. F6a	1
3	Disc Ring	Stainless Steel	ASTMA 276 Type 410 / ASTMA 182 Gr. F6a	1
4	Disc	Cast Iron	IBR 86-93 Gr. A	1
5	Gasket	Steam Jointing Sheet	IS 2712 Gr. W/3	1
6	Bonnet	Cast Iron	IBR 86-93 Gr. A	1
7	Nuts	Carbon Steel	IS 1367	As Reqd.
8	Studs	Carbon Steel	IS 1367	As Reqd.



### Sizes / Dimensions

Size (Inches)	Size (mm)	A ±1.5	B ~
1/2	15	130	66
3/4	20	150	70
1	25	160	76
1 1/4	32	180	85
1 1/2	40	200	102
2	50	230	114
2 1/2	65	290	123
3	80	310	140
4	100	350	154
5	125	400	200
6	150	480	230
8*	200	600	275

\* Pressure and Temperature for 200 mm Valve is as per PN10 and flanges to PN 10RF.

~ ±10

## 1068 Cast Iron Horizontal Lift Check Valve Angle Pattern (Flanged) I.B.R

### Salient Features

- Flanged Ends to DIN 2533 PN 16RF.
- Angle Pattern, Bolted Cover.
- Renewable 13% Cr. Stainless Steel (S.S 410) working parts.
- Minimum pressure drop inside the body due to streamlined body design.

Test Pressure (Hydrostatic) :

Shell 26 kg/cm<sup>2</sup>g (370 psig)

Working Pressure (Steam) : 13 kg/cm<sup>2</sup>g (185 psig)

Maximum Working Temperature 220°C

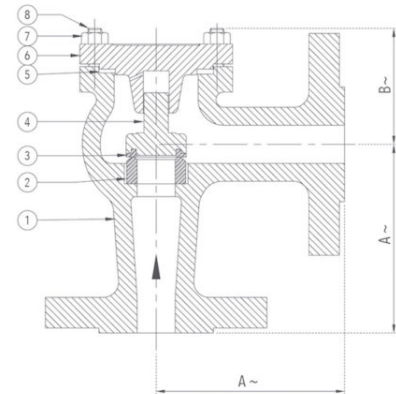
### Suitable For

Steam, Water



### Materials

P.No.	Name of Part	Material of Construction	Specification	Qty.
1	Body	Cast Iron	IBR 86-93 Gr. A	1
2	Body Seat Ring	Stainless Steel	ASTMA 276 Type 410 / ASTMA 182 Gr. F6a	1
3	Disc Ring	Stainless Steel	ASTMA 276 Type 410 / ASTMA 182 Gr. F6a	1
4	Disc	Cast Iron	IBR 86-93 Gr. A	1
5	Gasket	Steam Jointing Sheet	IS 2712 Gr. W/3	1
6	Bonnet	Cast Iron	IBR 86-93 Gr. A	1
7	Nuts	Carbon Steel	IS 1367	As Reqd.
8	Studs	Carbon Steel	IS 1367	As Reqd.



### Sizes / Dimensions

Size (Inches)	Size (mm)	A ~	B ~
1/2	15	90	54
3/4	20	95	55
1	25	100	58
1 1/4	32	105	66
1 1/2	40	115	78
2	50	125	85
2 1/2	65	145	95
3	80	155	110
4	100	175	125
6	150	225	182
8*	200	275	190

\* Pressure and Temperature for 200 mm Valve is as per PN10 and flanges to PN 10RF.

~ ±10

## 1069 Cast Iron Y-Type Strainer (Screwed)

### Salient Features

- Screwed Female Ends to BSPT.
- Stainless Steel (S.S 304) perforated sheet screen (Ø1 mm Perforation) is guided in body and bonnet.
- Fine finish and smooth contours to minimize pressure drop inside the strainer.
- Large screening area makes the strainer highly efficient in performance.

Test Pressure (Hydrostatic) :

Shell : 21.10 kg/cm<sup>2</sup>g (300 psig)

Working Pressure (Steam) : 10.55 kg/cm<sup>2</sup>g (150 psig)

Maximum Working Temperature : 220°C

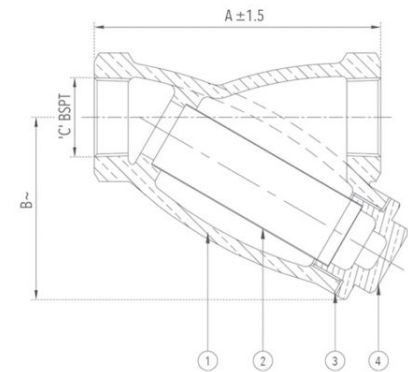
### Suitable For

Steam, Water



### Materials

P.No.	Name of Part	Material of Construction	Specification	Qty.
1	Body	Cast Iron	IBR 86-93 Gr. A	1
2	Screen (Ø1 mm Perforation)	Stainless Steel	Type 304	1
3	Gasket	Steam Jointing Sheet	IS 2712 Gr. W/3	1
4	Cover	Cast Iron	IBR 86-93 Gr. A	1



### Sizes / Dimensions

Size (Inches)	Size (mm)	A ±1.5	B ~	C
1/2	15	76	71	1/2"
3/4	20	98	85	3/4"
1	25	133	95	1"
1 1/4	32	155	110	1 1/4"
1 1/2	40	178	116	1 1/2"
2	50	222	140	2"

~ ±10

## 1070 Cast Iron Y-Type Strainer (Flanged)

### Salient Features

- Flanged Ends to BS 10 Table 'F'.
- Stainless Steel (S.S 304) perforated sheet screen (Ø1 mm Perforation) is guided in body and cover.
- Drain Plug is provided to remove the accumulated foreign particles.
- Fine finish and smooth contours to minimize pressure drop inside the strainer.
- Large screening area makes the strainer extremely efficient in performance.

Test Pressure (Hydrostatic) :

Shell : 21.10 kg/cm<sup>2</sup>g (300 psig)

Working Pressure (Steam) : 10.55 kg/cm<sup>2</sup>g (150 psig)

Maximum Working Temperature : 220°C

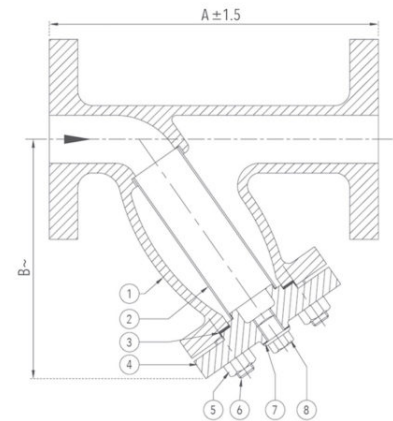
### Suitable For

Steam, Water



### Materials

P.No.	Name of Part	Material of Construction	Specification	Qty.
1	Body	Cast Iron	IBR 86-93 Gr. A	1
2	Screen (Ø1 mm Perforation)	Stainless Steel	Type 304	1
3	Gasket	Steam Jointing Sheet	IS 2712 Gr. W/3	1
4	Cover	Cast Iron	IBR 86-93 Gr. A	1
5	Nuts	Carbon Steel	IS 1367	As Reqd.
6	Studs	Carbon Steel	IS 1367	As Reqd.
7	Gasket	Steam Jointing Sheet	IS 2712 Gr. W/3	1
8	Plug	Bronze	IBR 282 (a) (iv) Gr. B	1



### Sizes / Dimensions

Size (Inches)	Size (mm)	A ±1.5	B ~
1/2	15	136	87
3/4	20	140	88
1	25	162	112
1 1/4	32	185	135
1 1/2	40	206	152
2	50	210	205
2 1/2	65	248	250
3	80	270	268
4	100	381	290

~ ±10

## 1071 Cast Steel Globe Steam Stop Valve (Flanged)

### Salient Features

- Flanged Ends to DIN 2545 PN 40.
- Straight Pattern, Outside Screw, Yoke Type, Rising Stem, Bolted Bonnet.
- Renewable 13% Cr. Stainless Steel (S.S 410) working parts.
- Minimum pressure drop inside the body due to streamlined body design.
- Handwheel Operated.
- Provision for re-packing under pressure.
- Suitable for thermic fluid application also.

Test Pressure (Hydrostatic) :

Shell : 60 bar (870 psig)

Maximum Working Pressure : 40 bar (580 psig)

Maximum Working Temperature : 425°C

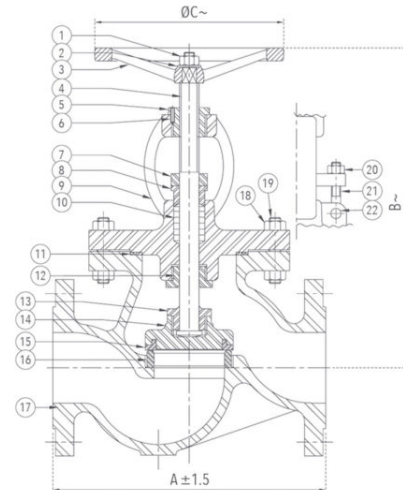
### Suitable For

Steam, Water, Oil



### Materials

P.No.	Name of Part	Material of Construction	Specification	Qty.
1	Nut	Carbon Steel	---	1
2	Washer	Carbon Steel	---	1
3	Handwheel	S.G Iron	IS 1865 Gr. 400 / 15	1
4	Stem	Stainless Steel	ASTM A 276 Type 410	1
5	Yoke Bush	Aluminium Bronze	BS EN 1982 AB - 1	1
6	Locking Screw	Carbon Steel	IS 1367	1
7	Gland Flange	Cast Steel	IBR 73-80 Gr. B	1
8	Gland	Stainless Steel	ASTM A 276 Type 410	1
9	Bonnet	Cast Steel	IBR 73-80 Gr. B	1
10	Gland Packing	Braided Graphite	---	-
11	Gasket	Spiral Wound S.S (Type 316) Graphite Filled	---	1
12	Back Seat Bush	Aluminium Bronze	BS EN 1982 AB - 1	1
13	Stem Nut	Stainless Steel	ASTM A 276 Type 410	1
14	Disc	Cast Steel	IBR 73-80 Gr. B	1
15	Seat Ring	Stainless Steel	ASTM A 276 Type 410 / ASTM A 182 Gr. F6a	1
16	Body Seat Ring	Stainless Steel	ASTM A 276 Type 410 / ASTM A 182 Gr. F6a	1
17	Body	Cast Steel	IBR 73-80 Gr. B	1
18	Nuts	H.T Steel	ASTM A 194 Gr. 2H	As Reqd
19	Studs	Alloy Steel	ASTM A 193 Gr. B7	As Reqd
20	Nuts For Eye Bolts	H.T Steel	ASTMA 194 Gr. 2H	2
21	Eye Bolts	Stainless Steel	ASTM A 182 Gr. F6a	2
22	Pins For Eye Bolts	Stainless Steel	ASTM A 276 Type 410	2



### Sizes / Dimensions

Size (Inches)	Size (mm)	A ±1.5	B ~	ØC ~
1/2	15	130	190	120
3/4	20	150	190	120
1	25	160	215	150
1 1/4	32	180	230	150
1 1/2	40	200	259	180

Size (Inches)	Size (mm)	A ±1.5	B ~	ØC ~
2	50	230	272	180
2 1/2	65	290	316	200
3	80	310	341	235
4	100	350	395	295
6	150	480	500	350
8	200	600	525	435

~ ±10



## 1072 Cast Steel Horizontal Lift Check Valve (Flanged) I.B.R

### Salient Features

- Flanged Ends to DIN 2545 PN 40.
- Bolted Cover, Straight Pattern.
- Renewable 13% Cr. Stainless Steel (S.S 410) working parts.
- Minimum pressure drop inside the body due to well contoured body design.
- Suitable for thermic fluid application also.

Test Pressure (Hydrostatic) :

Shell : 60 bar (870 psig)

Maximum Working Pressure : 40 bar (580 psig)

Maximum Working Temperature : 425°C

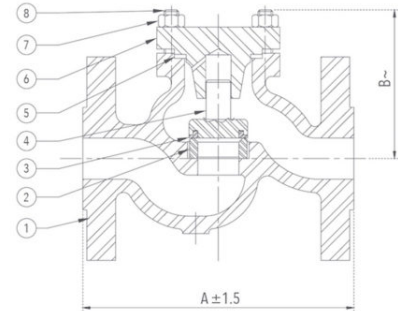
### Suitable For

Steam, Water, Oil



### Materials

P.No.	Name of Part	Material of Material	Specification	Qty.
1	Body	Cast Steel	IBR 73-80 Gr. B	1
2	Body Seat Ring	Stainless Steel	ASTM A 276 Type 410	1
3	Disc Ring	Stainless Steel	ASTM A 276 Type 410	1
4	Disc	Cast Steel	IBR 73 - 80 Gr. B	1
5	Gasket	Spiral Wound S.S. (Type 316) Graphite Filled	---	1
6	Cover	Cast Steel	IBR 73-80 Gr. B	1
7	Nuts	H.T. Steel	ASTM A 194 Gr. 2H	As Reqd.
8	Studs	Alloy Steel	ASTM A 193 Gr. B7	As Reqd.



### Sizes / Dimensions

Size (Inches)	Size (mm)	A ± 1.5	B ~
1/2	15	130	86
3/4	20	150	86
1	25	160	100
1 1/4	32	180	102
1 1/2	40	200	113
2	50	230	123
2 1/2	65	290	155
3	80	310	170
4	100	350	192
6	150	480	250
8	200	600	275

~ ±10

## 1073 Cast Steel Y-Type Strainer (Flanged) <sup>I.B.R</sup>

### Salient Features

- Flanged Ends to BS 10 Table 'J'.
- Stainless Steel (S.S 304) perforated sheet screen (Ø1 mm Perforation) is guided in body and cover.
- Drain Plug to remove the accumulated foreign particles.
- Fine finish and smooth contours to minimize pressure drop inside the strainer.
- Large screening area makes the strainer more efficient.
- Suitable for thermic fluid application also.

Test Pressure (Hydrostatic) : 49 kg/cm<sup>2</sup>g (700 psig)  
Maximum Working Pressure (Steam) : 24.60 kg/cm<sup>2</sup>g (350 psig)  
Maximum Working Temperature : 425°C

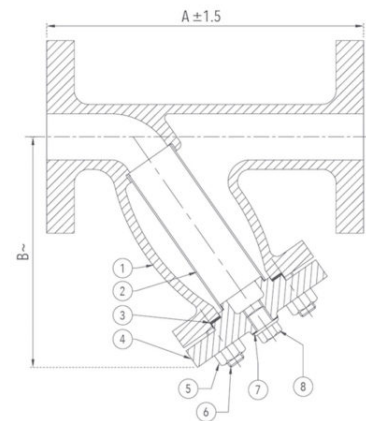
### Suitable For

Steam, Water, Oil



### Materials

P.No.	Name of Part	Material of Construction	Specification	Qty.
1	Body	Cast Steel	IBR 73 - 80 Gr. B	1
2	Screen (Ø1 mm Perforation)	Stainless Steel	Type 304	1
3	Gasket	Steam Jointing Sheet	IS 2712 Gr. W/3	1
4	Bonnet	Cast Steel	IBR 73-80 Gr. B	1
5	Nuts	H.T Steel	ASTM A 194 Gr. 2H	As Reqd
6	Studs	Alloy Steel	ASTM A 193 Gr. B7	As Reqd
7	Gasket	Steam Jointing Sheet	IS 2712 Gr. W/3	1
8	Plug	Bronze	IS 318 Gr. LTB2	1



### Sizes / Dimensions

Size (Inches)	Size (mm)	A ±1.5	B ~
1	25	181	135
1 1/4	32	222	170
1 1/2	40	260	200
2	50	276	225
2 1/2	65	286	250
3	80	296	280
4	100	403	312
6	150	476	364

~ ±10

## 1074 Forged Steel Globe Valve, Class-800 (Standard Bore) I.B.R.

### Salient Features

- Design Standard API 602 / BSEN ISO 15761 (BS 5352).
- Body and Bonnet are Phosphated, to ensure maximum resistance from rust.
- Bolted Bonnet, Outside Screw, Yoke Type, Rising Stem.
- Screwed Female Ends to BSPT / NPT / Socket Welded to ANSI B16.11.

Test Pressure :

Shell (Hydrostatic) : 207 bar (3000 psig)

Seat & Back Seat(Hydrostatic) : 152 bar (2200 psig)

Seat (Pneumatic) : 6.9 bar (100 psig)

Maximum Working Temperature : 425°C

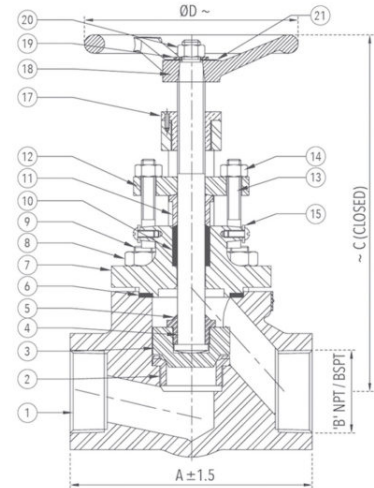
### Suitable For

Steam, Water, Oil, Air, Gases



### Materials

P.No.	Name of Part	Material of Construction	Specification	Qty.
1	Body	Forged Carbon Steel	ASTM A 105	1
2	Body Seat Ring	Stainless Steel	ASTM A 276 Type 410 / ASTM A 182 Gr. F6a	1
3	Disc	Stainless Steel	ASTM A 276 Type 410	1
4	Stem	Stainless Steel	ASTM A 276 Type 410 / ASTM A 182 Gr. F6a	1
5	Check Nut	Stainless Steel	ASTM A 276 Type 410	1
6	Gasket	Spiral Wound S.S (Type 316) Graphite Filled	---	1
7	Bonnet	Forged Carbon Steel	ASTM A 105	1
8	Bonnet Nut	Alloy Steel	ASTM A 194 Gr. 2H	4
9	Stud	Alloy Steel	ASTM A 193 Gr. B7	4
10	Gland Packing	Non Asbestos Graphite With Corrosion Inhibitor	---	
11	Gland	Stainless Steel	ASTM A 276 Type 410	1
12	Gland Flange	Carbon Steel	---	1
13	Eye Bolt	Stainless Steel	ASTM A 276 Type 410 / ASTM A 182 Gr. F6a	2
14	Nut	Alloy Steel	ASTM A 194 Gr. 2H	2
15	Washer	Carbon Steel	---	2
16	Screw	Carbon Steel	---	2
17	Yoke Bush	Aluminium Bronze	BS EN 1982 AB - 1	1
18	Handwheel	Ductile Iron	ASTM A536 / IS 1865	1
19	Washer	Carbon Steel	---	1
20	Handwheel Nut	Carbon Steel	---	1
21	Identification Plate	Aluminium	---	1



### Sizes / Dimensions

Size (Inches)	Size (mm)	A ± 1.5	B	C ~	ØD ~
1/2	15	85	1/2"	156	95
3/4	20	86	3/4"	156	95
1	25	101	1"	183	95
1 1/4	32	140	1 1/4"	250	155
1 1/2	40	140	1 1/2"	250	155
2	50	164	2"	250	155

~ ±10

## 1074A Forged Steel Globe Valve, Class-800 (Full Bore) I.B.R

### Salient Features

- Design Standard API 602 / BS EN ISO 15761 (BS 5352).
- Body and Bonnet are Phosphated, to ensure maximum resistance from rust.
- Bolted Bonnet, Outside Screw, Yoke Type, Rising Stem.
- Screwed Female Ends to BSPT / NPT / Socket Welded to ANSI B16.11.

Test Pressure :

Shell (Hydrostatic) : 207 bar (3000 psig)

Seat & Back Seat(Hydrostatic) : 152 bar (2200 psig)

Seat (Pneumatic) : 6.9 bar (100 psig)

Maximum Working Temperature : 425°C

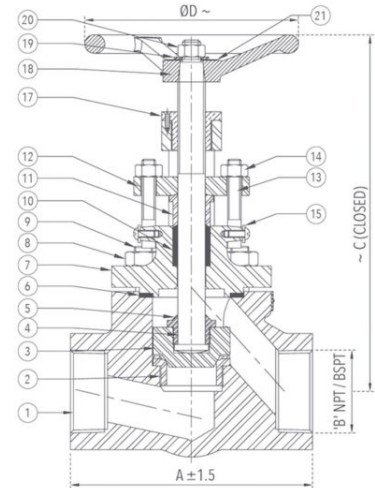
### Suitable For

Steam, Water, Oil, Air, Gases



### Materials

P.No.	Name of Part	Material of Construction	Specification	Qty.
1	Body	Forged Carbon Steel	ASTM A 105	1
2	Body Seat Ring	Stainless Steel	ASTM A 276 Type 410 / ASTM A 182 Gr. F6a	1
3	Disc	Stainless Steel	ASTM A 276 Type 410	1
4	Stem	Stainless Steel	ASTM A 276 Type 410 / ASTM A 182 Gr. F6a	1
5	Check Nut	Stainless Steel	ASTM A 276 Type 410	1
6	Gasket	Spiral Wound S.S (Type 316) Graphite Filled	---	1
7	Bonnet	Forged Carbon Steel	ASTM A 105	1
8	Bonnet Nut	Alloy Steel	ASTM A 194 Gr. 2H	4
9	Stud	Alloy Steel	ASTM A 193 Gr. B7	4
10	Gland Packing	Non Asbestos Graphite With Corrosion Inhibitor	---	
11	Gland	Stainless Steel	ASTM A 276 Type 410	1
12	Gland Flange	Carbon Steel	---	1
13	Eye Bolt	Stainless Steel	ASTM A 276 Type 410 / ASTM A 182 Gr. F6a	2
14	Nut	Alloy Steel	ASTM A 194 Gr. 2H	2
15	Washer	Carbon Steel	---	2
16	Screw	Carbon Steel	---	2
17	Yoke Bush	Aluminium Bronze	BS EN 1982 AB - 1	1
18	Handwheel	Ductile Iron	ASTM A536 / IS 1865	1
19	Washer	Carbon Steel	---	1
20	Handwheel Nut	Carbon Steel	---	1
21	Identification Plate	Aluminium	---	1



### Sizes / Dimensions

Size (Inches)	Size (mm)	A ± 1.5	B	C ~	ØD ~
3/8	10	85	3/8"	156	95
1/2	15	86	1/2"	156	95
3/4	20	101	3/4"	183	95
1	25	140	1"	250	155
1 1/4	32	140	1 1/4"	250	155
1 1/2	40	164	1 1/2"	250	155

~ ±10

## 1075 Forged Steel Gate Valve, Class-800 (Standard Bore) I.B.R.

### Salient Features

- Design Standard API 602 / BS EN ISO 15761 (BS 5352).
- Body and Bonnet are Phosphated, to ensure maximum resistance from rust.
- Bolted Bonnet, Outside Screw, Yoke Type, Rising Stem.
- Screwed Female Ends to BSPT / NPT / Socket Welded to ANSI B16.11.

Test Pressure :

Shell (Hydrostatic) : 207 bar (3000 psig)

Seat & Back Seat(Hydrostatic) : 152 bar (2200 psig)

Seat (Pneumatic) : 6.9 bar (100 psig)

Maximum Working Temperature : 425°C

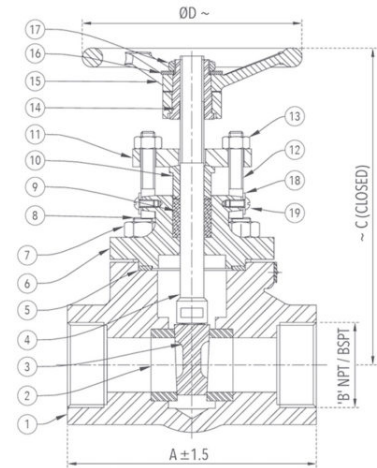
### Suitable For

Steam, Water, Oil



### Materials

P.No.	Name of Part	Material of Construction	Specification	Qty.
1	Body	Forged Carbon Steel	ASTM A 105	1
2	Body Seat Ring	Stainless Steel	ASTM A276 Type 410 / ASTM A 182 Gr. F6a	2
3	Wedge (Solid)	Stainless Steel	ASTM A217 Gr. CA 15	1
4	Stem	Stainless Steel	ASTM A276 Type 410 / ASTM A 182 Gr. F6a	1
5	Gasket	Spiral Wound S.S (Type 316) Graphite Filled	---	1
6	Bonnet	Forged Carbon Steel	ASTM A 105	1
7	Bonnet Nut	Alloy Steel	ASTM A 194 Gr. 2H	4
8	Stud	Alloy Steel	ASTM A 193 Gr. B7	4
9	Gland Packing	Non Asbestos Graphite With Corrosion Inhibitor	---	
10	Gland	Stainless Steel	ASTM A276 Type 410.	1
11	Gland Flange	Carbon Steel	---	1
12	Eye Bolt	Stainless Steel	ASTM A276 Type 410 / ASTM A 182 Gr. F6a	2
13	Nut	Alloy Steel	ASTM A194 Gr. 2H	2
14	Yoke Sleeve	Aluminium Bronze	BSEN 1982 AB - 1	1
15	Handwheel	Ductile Iron	ASTM A 536 / IS 1865	1
16	Identification Plate	Aluminium	---	1
17	Check Nut	Stainless Steel	ASTM A 276 Type 410	1
18	Washer	Carbon Steel	---	2
19	Screw	Carbon Steel	---	2



### Sizes / Dimensions

Size (Inches)	Size (mm)	A ± 1.5	B	C ~	ØD ~
1/2	15	85	1/2"	143	85
3/4	20	86	3/4"	146	85
1	25	101	1"	162	95
1 1/4	32	140	1 1/4"	226	155
1 1/2	40	140	1 1/2"	226	155
2	50	164	2"	230	155

~ ±10



## 1075A Forged Steel Gate Valve, Class-800 (Full Bore) I.B.R

### Salient Features

- Design Standard API 602 / BS EN ISO 15761 (BS 5352).
- Body and Bonnet are Phosphated, to ensure maximum resistance from rust.
- Bolted Bonnet, Outside Screw, Yoke Type, Rising Stem.
- Screwed Female Ends to BSPT / NPT / Socket Welded to ANSI B16.11.

Test Pressure :

Shell (Hydrostatic) : 207 bar (3000 psig)

Seat & Back Seat(Hydrostatic) : 152 bar (2200 psig)

Seat (Pneumatic) : 6.9 bar (100 psig)

Maximum Working Temperature : 425°C

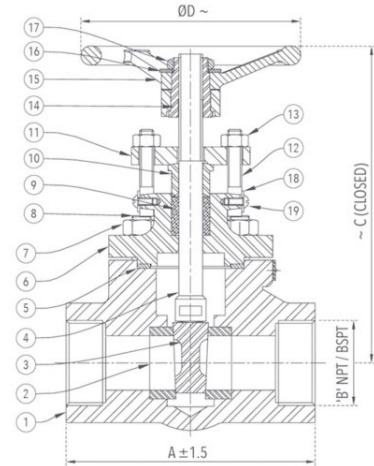
### Suitable For

Steam, Water, Oil



### Materials

P.No.	Name of Part	Material of Construction	Specification	Qty.
1	Body	Forged Carbon Steel	ASTM A 105	1
2	Body Seat Ring	Stainless Steel	ASTM A276 Type 410 / ASTM A 182 Gr. F6a	2
3	Wedge (Solid)	Stainless Steel	ASTM A217 Gr. CA 15	1
4	Stem	Stainless Steel	ASTM A276 Type 410 / ASTM A 182 Gr. F6a	1
5	Gasket	Spiral Wound S.S. (Type 316) Graphite Filled	---	1
6	Bonnet	Forged Carbon Steel	ASTM A 105	1
7	Bonnet Nut	Alloy Steel	ASTM A 194 Gr. 2H	4
8	Stud	Alloy Steel	ASTM A 193 Gr. B7	4
9	Gland Packing	Non Asbestos Graphite With Corrosion Inhibitor	---	
10	Gland	Stainless Steel	ASTM A276 Type 410.	1
11	Gland Flange	Carbon Steel	---	1
12	Eye Bolt	Stainless Steel	ASTM A276 Type 410 / ASTM A 182 Gr. F6a	2
13	Nut	Alloy Steel	ASTM A194 Gr. 2H	2
14	Yoke Sleeve	Aluminium Bronze	BSEN 1982 AB - 1	1
15	Handwheel	Ductile Iron	ASTM A 536 / IS 1865	1
16	Identification Plate	Aluminium	---	1
17	Check Nut	Stainless Steel	ASTM A 276 Type 410	1
18	Washer	Carbon Steel	---	2
19	Screw	Carbon Steel	---	2



### Sizes / Dimensions

Size (Inches)	Size (mm)	A ±1.5	B	C ~	ØD ~
3/8	10	85	3/8"	143	85
1/2	15	86	1/2"	146	85
3/4	20	101	3/4"	162	95
1	25	140	1"	226	155
1 1/4	32	140	1 1/4"	226	155
1 1/2	40	164	1 1/2"	230	155

~ ±10

## 1076 Forged Steel Horizontal Lift Check Valve, Class-800 (Standard Bore)

I.B.R

### Salient Features

- Design Standard API 602/BS EN ISO 15761 (BS 5352).
- Body and Cover are Phosphated, to ensure maximum protection from rust.
- Bolted Cover.
- Screwed Female Ends to BSPT / NPT / Socket Welded to ANSI B16.11.

Test Pressure (Hydrostatic) :  
Shell : 207 bar (3000 psig)  
Seat : 152 bar (2200 psig)  
Maximum Working Temperature : 425°C

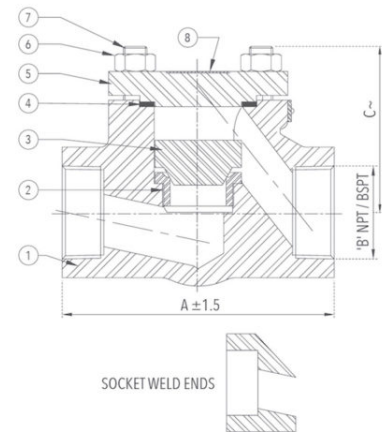
### Suitable For

Steam, Water, Oil



### Materials

P.No.	Name of Part	Material of Construction	Specification	Qty.
1	Body	Forged Carbon Steel	ASTM A 105	1
2	Body Seat Ring	Stainless Steel	ASTM A 276 Type 410 / ASTM A182 Gr. F6a	1
3	Disc	Stainless Steel	ASTM A 276 Type 410	1
4	Gasket	Spiral Wound (Type 316) Graphite Filled	---	1
5	Cover	Forged Carbon Steel	ASTM A 105	1
6	Stud	Alloy Steel	ASTM A 193 Gr. B7	4
7	Nut	Alloy Steel	ASTM A 194 Gr. 2H	4
8	Identification Plate	Aluminium	---	1



### Sizes / Dimensions

Size (Inches)	Size (mm)	A ±1.5	B	C ~
1/2	15	85	1/2"	61
3/4	20	86	3/4"	61
1	25	101	1"	76
1 1/4	32	140	1 1/4"	105
1 1/2	40	140	1 1/2"	105
2	50	164	2"	105

~ ±10

## 1076A Forged Steel Horizontal Lift Check Valve, Class-800 (Full Bore) I.B.R

### Salient Features

- Design Standard API 602 / BS EN ISO 15761 (BS 5352).
- Body and Cover are Phosphated, to ensure maximum protection from rust.
- Bolted Cover.
- Screwed Female Ends to BSPT / NPT / Socket Welded to ANSI B16.11.

Test Pressure (Hydrostatic) :  
Shell : 207 bar (3000 psig)  
Seat : 152 bar (2200 psig)  
Maximum Working Temperature : 425°C

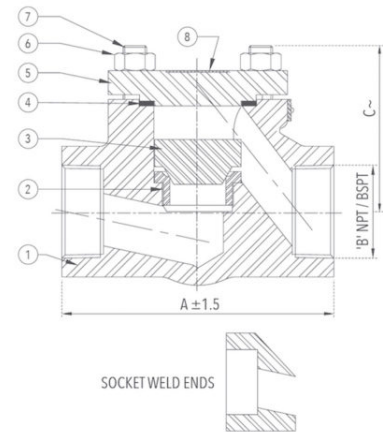
### Suitable For

Steam, Water, Oil



### Materials

P.No.	Name of Part	Material of Construction	Specification	Qty.
1	Body	Forged Carbon Steel	ASTM A 105	1
2	Body Seat Ring	Stainless Steel	ASTM A 276 Type 410 / ASTM A182 Gr. F6a	1
3	Disc	Stainless Steel	ASTM A 276 Type 410	1
4	Gasket	Spiral Wound (Type 316) Graphite Filled	---	1
5	Cover	Forged Carbon Steel	ASTM A 105	1
6	Stud	Alloy Steel	ASTM A 193 Gr. B7	4
7	Nut	Alloy Steel	ASTM A 194 Gr. 2H	4
8	Identification Plate	Aluminium	---	1



### Sizes / Dimensions

Size (Inches)	Size (mm)	A ±1.5	B	C ~
3/8	10	85	3/8"	61
1/2	15	86	1/2"	61
3/4	20	101	3/4"	76
1	25	140	1"	105
1 1/4	32	140	1 1/4"	105
1 1/2	40	164	1 1/2"	105

~ ±10

## 1077 Cast Steel Gate Valve, Class-150 (Flanged)

### Salient Features

- Design Standard BS EN ISO 10434 / API 600.
- Bolted Bonnet, Outside Screw, Yoke Type, Rising Stem.
- Renewable 13% Cr. Stainless Steel (S.S 410) working parts.
- Handwheel Operated.
- Flanged Ends as per ASME B 16.5 Class-150.

Test Pressure (Hydrostatic) :  
Shell : 31 kg/cm<sup>2</sup>g (425 psig)  
Seat : 21kg/cm<sup>2</sup>g (313 psig)  
Seat (Steam) : 10.55 kg/cm<sup>2</sup>g (150 psig)  
Maximum Working Temperature : 425°C

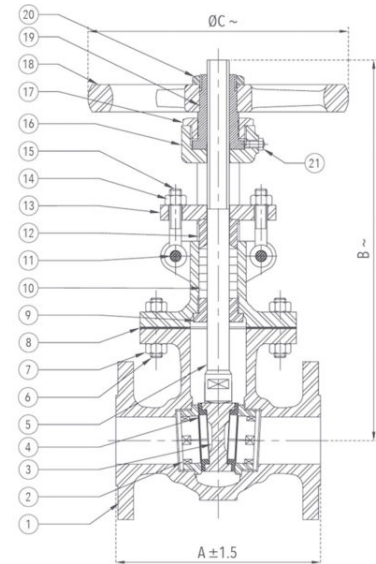
### Suitable For

Steam, Water, Oil



### Materials

P.No.	Name of Part	Material of Construction	Specification	Qty.
1	Body	Cast Steel	ASTM A 216 Gr. WCB	1
2	Body Seat Ring	Stainless Steel	ASTM A 276 Type 410 / ASTM A 182 Gr. F6a	2
3	Wedge	Cast Steel	ASTM A 216 Gr. WCB	1
4	Wedge Facing Ring	Stainless Steel	ASTM A 276 Type 410 / ASTM A 182 Gr. F6a	2
5	Stem	Stainless Steel	ASTM A 276 Type 410 / ASTM A 182 Gr. F6a	1
6	Studs	Alloy Steel	ASTM A 193 Gr. B7	As Reqd.
7	Nuts	H.T. Steel	ASTM A 194 Gr. 2H	As Reqd.
8	Gasket	Steam Jointing Sheet	IS 2712 Gr. W/3	1
9	Back Seat Bush	Aluminium Bronze	BS EN 1982 Gr. AB - 1	1
10	Gland Packing	Braided Graphite	IS 4687	-
11	Pin For Eye Bolt	Stainless Steel	ASTM A 276 Type 410	2
12	Gland	Stainless Steel	ASTM A 276 Type 410	1
13	Gland Flange	Carbon Steel	---	1
14	Nuts	H.T. Steel	ASTM A 194 Gr. 2H	2
15	Eye Bolts	Stainless Steel	ASTM A 276 Type 410	2
16	Bonnet	Carbon Steel	ASTM A 216 Gr. WCB	1
17	Sleeve Nut	Stainless Steel	ASTM A 276 Type 410	1
18	Handwheel	Nodular Iron	ASTM A 439 D2	1
19	Yoke Sleeve	S.G Iron	IS 1865 Gr. 400 / 15	1
20	Handwheel Nut	Carbon Steel	---	1
21	Grease Nipple	Carbon Steel	---	1



### Sizes / Dimensions

Size (Inches)	Size (mm)	A ±1.5	B ~	ØC ~
1 1/2	40	165	330	210
2	50	178	340	210
2 1/2	65	190	395	210
3	80	203	430	225
4	100	229	521	255

Size (Inches)	Size (mm)	A ±1.5	B ~	ØC ~
5	125	254	568	255
6	150	267	666	356
8	200	292	783	400

~ ±10

## 1086 Stainless Steel Thermodynamic Steam Trap (Screwed) I.B.R

### Salient Features

- Screwed Female Ends to BSPT.
- Superior Quality Investment Casting.
- Provided with integral strainer.
- Stainless Steel (S.S 304) 0.5 mm hole diameter perforated sheet screen for trouble free service.
- Mirror finished moving disc.

Test Pressure (Hydrostatic) :

Shell : 51 bar (740 psig)

Maximum Working Pressure (Steam) : 31 bar (450 psig)

Maximum Working Temperature : 425°C

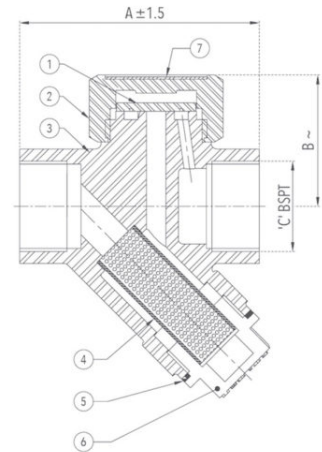
### Suitable For

Steam



### Materials

P.No.	Name of Part	Material of Construction	Specification	Qty.
1	Disc	Stainless Steel	ASTM A 276 Type 410	1
2	Cover	Stainless Steel	ASTM A 743 Gr. CA40	1
3	Body	Stainless Steel	ASTM A 743 Gr. CA40	1
4	Screen (Ø0.5 mm Perforation)	Stainless Steel	Type 304	1
5	Gasket	PTFE / Steam Jointing Sheet	--- / IS 2712 Gr. W/3	1
6	Plug	Stainless Steel	ASTM A 743 Gr. CA40	1
7	Name Plate	Aluminium	---	1



### Sizes / Dimensions

Size (Inches)	Size (mm)	A ±1.5	B ~	C
1/2	15	77	47	1/2"
3/4	20	77	47	3/4"
1	25	86	47	1"

~ ±10

## 1088 Cast Steel Three Piece Design Ball Valve, Class-150 (Screwed)

I.B.R

### Salient Features

- Design Standard BS EN ISO 17292 (BS 5351).
- Screwed Female Ends to BSPT / NPT / Socket Weld.
- Reduced Bore, Three Piece Design.
- Superb in Quality and Performance.

Test Pressure (Hydrostatic) :  
Shell : 31 kg/cm<sup>2</sup>g (440psig)  
Seat : 21kg/cm<sup>2</sup>g (300 psig)  
Seat (Steam) : 10.55 kg/cm<sup>2</sup>g (150 psig)  
Maximum Working Temperature : 220°C

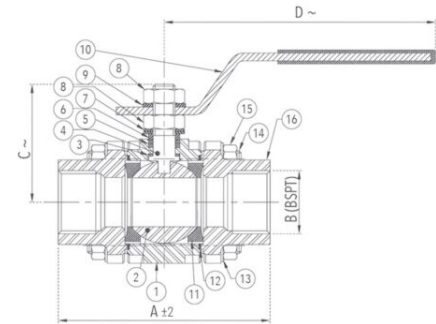
### Suitable For

Steam, Water, Oil



### Materials

P.No.	Name of Part	Material of Construction	Specification	Qty.
1	Body	Cast Steel	ASTM A 216 Gr. WCB	1
2	Ball	Stainless Steel	ASTM A 276 Type 304 / ASTM A 351 Gr. CF8	1
3	Thrust Washer	PTFE 35% Carbon Filled	---	1
4	Stem	Stainless Steel	ASTM A 276 Type 316	1
5	Packing Ring	PTFE 35% Carbon Filled	---	2
6	Gland	Stainless Steel	ASTM A 276 Type 304	1
7	Cup Washer	Stainless Steel	ASTM A 276 Type 304	2
8	Nut	H.T Steel	ASTM A 194 Gr. 2H	2
9	Spring Washer	Spring Steel	EN 47 Gr. B	1
10	Lever	Carbon Steel	---	1
11	Body Seat Ring	PTFE	---	2
12	Gasket	PTFE	---	2
13	Spring Washer	Spring Steel	EN 47 Gr. B	8
14	Studs	Alloy Steel	ASTM A 193 Gr. B7	4
15	Nuts	H.T Steel	ASTM A 194 Gr. 2H	8
16	End Connector	Cast Steel	ASTM A 216 Gr. WCB	2



### Sizes / Dimensions

Size (Inches)	Size (mm)	A ±2	B	C ~	D ~
1/2	15	69	1/2"	38	112
3/4	20	73	3/4"	40	125
1	25	95	1"	57	168
1 1/4	32	105	1 1/4"	65	168
1 1/2	40	115	1 1/2"	75	177
2	50	128	2"	80	220

~ ±10



## 1089 Cast Steel Three Piece Design Ball Valve, Class-150 (Flanged) I.B.R

### Salient Features

- Design Standard BS EN ISO 17292 (BS 5351).
- Flanged Ends to ANSI B16.5 Class-150 (Drilled).
- Three Piece Design.
- Superb in Quality and Performance.

Test Pressure (Hydrostatic) :  
Shell : 31 kg/cm<sup>2</sup>g (440 psig)  
Seat : 21kg/cm<sup>2</sup>g (30 psig)  
Seat (Steam) : 10.55 kg/cm<sup>2</sup>g (150 psig)  
Maximum Working Temperature : 220°C

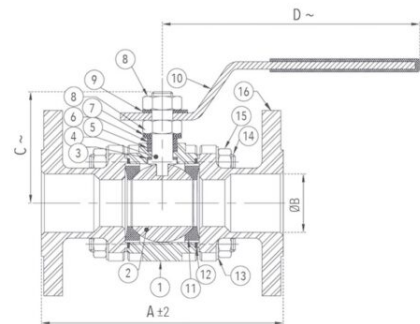
### Suitable For

Steam, Water, Oil



### Materials

P.No.	Name of Part	Material of Construction	Specification	Qty.
1	Body	Cast Steel	ASTM A 216 Gr. WCB	1
2	Ball	Stainless Steel	ASTM A 276 Type 304 / ASTM A 351 Gr. CF8	1
3	Thrust Washer	PTFE 35% Carbon Filled	---	1
4	Stem	Stainless Steel	ASTM A 276 Type 316	1
5	Packing Ring	PTFE 35% Carbon Filled	---	2
6	Gland	Stainless Steel	ASTM A 276 Type 304	1
7	Cup Washer	Stainless Steel	ASTM A 276 Type 304	2
8	Nut	H.T Steel	ASTM A 194 Gr. 2H	2
9	Spring Washer	Spring Steel	EN 47 Gr. B	1
10	Lever	Carbon Steel	---	1
11	Body Seat Ring	PTFE	---	2
12	Gasket	PTFE	---	2
13	Spring Washer	Spring Steel	EN 47 Gr. B	8
14	Studs	Alloy Steel	ASTM A 193 Gr. B7	4
15	Nuts	H.T Steel	ASTM A 194 Gr. 2H	8
16	End Connector	Cast Steel	ASTM A 216 Gr. WCB	2



### Sizes / Dimensions

Size (Inches)	Size (mm)	A ±2	ØB	C ~	D ~
1/2	15	108	15	38	150
3/4	20	117	20	40	150
1	25	127	25	57	160
1 1/4	32	140	32	65	160
1 1/2	40	165	40	75	202
2	50	178	50	80	202
2 1/2*	65	191	63.5	125	250
3*	80	203	76	137	335
4*	100	229	100	158	335

~ ±10

\*Full Bore

## 1090 Cast Iron Bucket Type Steam Trap (Screwed) I.B.R

### Salient Features

- Screwed Female Ends to BSP.
- Inverted Bucket Type, Bolted Cover.
- With Stainless Steel (S.S 304) renewable working parts.

Test Pressure (Hydrostatic) :

Shell : 21.10 kg/cm<sup>2</sup>g (300 psig)

Maximum Working Pressure : 10.55 kg/cm<sup>2</sup>g (150 psig)

Maximum Working Temperature : 220°C

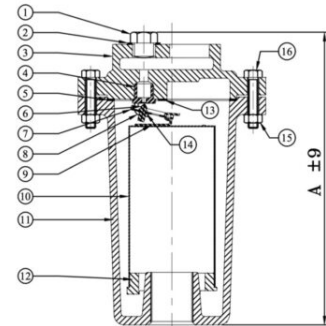
### Suitable For

Steam



### Materials

P.No.	Name of Part	Material of Construction	Specification	Qty.
1	Plug	Stainless Steel	ASTM A 276 Type 410	1
2	Gasket	Steam Jointing Sheet	IS 2712 Gr. W/3	1
3	Cover	Cast Iron	IBR 86 To 93 Gr. A	1
4	Valve Seat	Stainless Steel	ASTM A 276 Type 304	1
5	Gasket	Steam Jointing Sheet	IS 2712 Gr. W/3	1
6	Valve	Stainless Steel	Type 304	1
7	Valve Lever	Stainless Steel	Type 304	1
8	Valve Hook	Stainless Steel	Type 304	1
9	Bucket Hook	Stainless Steel	Type 304	1
10	Bucket	Stainless Steel	Non-Rustable	1
11	Body	Cast Iron	IBR 86 To 93 Gr. A	1
12	Bucket Ring	Cast Iron	IBR 86 To 93 Gr. A	1
13	Valve Hook Plate	Stainless Steel	Type 304	1
14	Circlip Lock	Spring Steel	Non-Rustable	1
15	Nuts	Carbon Steel	---	As Reqd.
16	Bolts	Carbon Steel	---	As Reqd.



### Sizes / Dimensions

Size (Inches)	Size (mm)	A ±9	B
1/2	15	170	1/2"
3/4	20	210	3/4"
1	25	275	1"
1 1/4	32	372	1 1/4"
1 1/2	40	372	1 1/2"
2	50	412	2"

## 1091 Cast Steel Sleeve Packed Water Level Gauge (Flanged) I.B.R

### Salient Features

- Flanged End to BS 10 Table 'J'.
- Automatic Shut Off Device in Water Arm.
- Available for both, Right Hand and Left Hand.
- Premium Quality Sleeve, Reinforced by metallic eye holes, is provided to avoid any clogging of passage.
- Each piece is fitted with self adjusting inverted taper plug (Stainless Steel) which forms a seal in the renewable moulded asbestos sleeve.
- Sleeve can easily be positioned by a rib which fits in the corresponding groove of the body.

Test Pressure (Hydrostatic) :  
Shell : 48 kg/cm<sup>2</sup>g (700 psig)  
Test Pressure (Steam) :  
Seat : 24.50 kg/cm<sup>2</sup>g (350 psig)  
Maximum Working Temperature : 425°C

### Suitable For

Steam, Water

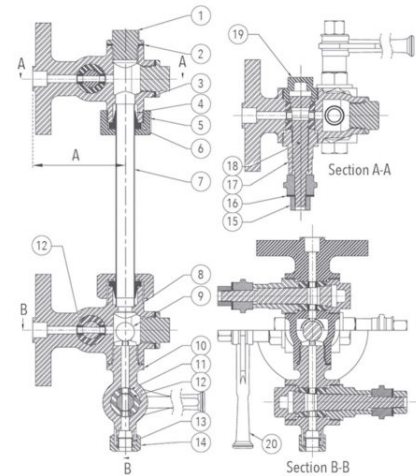
### Materials

P.No.	Name of Part	Material of Construction	Specification	Qty.
1	Plug	Stainless Steel	ASTM A 276 Type 410	3
2	Gasket	Steam Jointing Sheet	IS 2712 Gr. W/3	4
3	Upper Arm	Cast Steel	IBR 73-80 Gr. B	1
4	Cone	Synthetic Rubber	IS 5192-1	2
5	Nut	Stainless Steel	ASTM A 276 Type 410	2
6	Washer	Bronze	IBR 282 (a) (iv) Gr. B	2
7	Glass Tube*	Toughened Glass	---	1
8	Lower arm	Cast Steel	IBR 73-80 Gr. B	1
9	Ball	Stainless Steel	ASTM A 276 Type 304	1
10	Drain Valve	Cast Steel	IBR 73-80 Gr. B	1
11	Sleeve Bush	Bronze	IBR 282 (a) (iv) Gr. B	6
12	Sleeve	Moulded Asbestos	---	3
13	Nipple	Stainless Steel	ASTM A 276 Type 410	1
14	Union Nut	Stainless Steel	ASTM A 276 Type 410	1
15	Nut	Carbon Steel	---	3
16	Name Plate	Brass / Aluminium	---	3
17	Bonnet	Stainless Steel	ASTM A 276 Type 410	3
18	Stem	Stainless Steel	ASTM A 276 Type 410	3
19	Lock Nut	Stainless Steel	ASTM A 276 Type 410	3
20	Handle	S.G Iron	IS 1865 / ASTM A 536	3

\*Glass Tube is not provided with this product.

### Sizes / Dimensions

Size (Inches)	Size (mm)	A
1/2	15	84
3/4	20	99



## 1092 Cast Steel Parallel Slide Blow Off Valve (Flanged) I.B.R

### Salient Features

- Flanged Ends to BS 10 Table 'J'.
- Maintains fluid tightness and is easy in operation because of sliding action of discs.
- Discs are kept in close contact with body rings by means of a spring when the valve is under pressure.
- Premium Quality Lubricated Gland Packing, Bolted Bonnet.
- Valve is operated by means of Rack and Pinion arrangement, in such a manner that valve is opened fully with half turn of the box key.
- Gland forms a locking guard which prevents removal of the key unless the valve is closed.

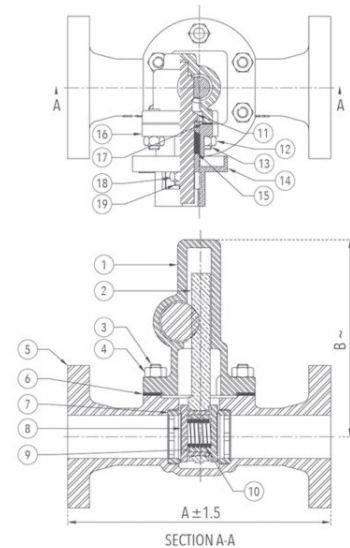
Test Pressure (Hydrostatic) :  
Shell : 48 kg/cm<sup>2</sup>g (700 psig)  
Test Pressure (Steam) :  
Seat : 24.50 kg/cm<sup>2</sup>g (350 psig)  
Maximum Working Temperature : 425°C

### Suitable For

Steam, Water

### Materials

P.No.	Name of Part	Material of Construction	Specification	Qty.
1	Bonnet	Cast Steel	IBR 73 - 80 Gr. B	1
2	Rack	Bronze	IBR 282 (a) (iv) Gr. B	1
3	Studs	Alloy Steel	ASTM A 193 Gr. B7	As Reqd.
4	Nuts	H.T Steel	ASTM A 194 Gr. 2H	As Reqd.
5	Body	Cast Steel	IBR 73 - 80 Gr. B	1
6	Gasket	Steam Joining Sheet	IS 2712 Gr. W/3	1
7	Body Seat Ring	Stainless Steel	ASTM A 276 Type 410	1
8	Male Disc	Stainless Steel	ASTM A 276 Type 410	1
9	Female Disc	Stainless Steel	ASTM A 276 Type 410	1
10	Spring	Stainless Steel	IS 4454 Part 4 Gr. 2	1
11	Pinion	Stainless Steel	ASTM A 276 Type 410	1
12	Nuts	H.T Steel	ASTM A 194 Gr. 2H	As Reqd.
13	Studs	Alloy Steel	ASTM A 193 Gr. B7	As Reqd.
14	Gland	Bronze	IBR 282 (a) (iv) Gr. B	1
15	Gland Packing	Braided Graphite	IS 4687	-
16	Stuffing Box	Bronze	IBR 282 (a) (iv) Gr. B	1
17	Gasket	Steam Joining Sheet	IS 2712 Gr. W/3	1
18	Nuts	Alloy Steel	ASTM A 193 Gr. B7	As Reqd.
19	Studs	H.T Steel	ASTM A 194 Gr. 2H	As Reqd.



### Sizes / Dimensions

Size (Inches)	Size (mm)	A ±1.5	B ~
1	25	178	180
1 1/4	32	241	190
1 1/2	40	267	220
2	50	305	244

~ ±10