

1033 Bronze Globe Valve (Screwed) 

Salient Features

- Screwed Female Ends to IS 554 / BS 21 / ISO 7.
- Screwed in Bonnet, Inside Screw, Rising Stem, Integral Seat.
- Provision for re-packing under pressure.
- Premium Quality PTFE Gland Packing.
- Design Standard IS 778, Class-1.
- Designed sheet metal handwheel for a firm grip and convenient operation.

Test Pressure (Hydrostatic) :
Shell : 1.5 MPa
Seat & Back Seat : 1.0 MPa
Maximum Working Temperature : 45°C

Suitable For

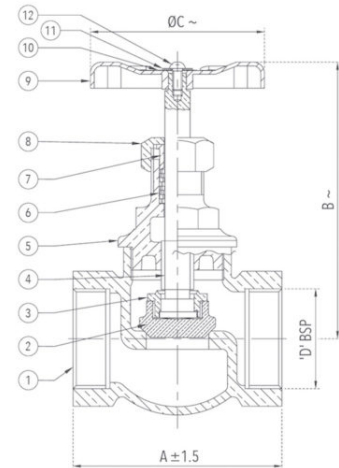
Water, Oil

*Also available with Open-Shut Indicator & Locking Device and with PTFE Seating, at a nominal extra price.



Materials

P.No.	Name of Part	Material of Construction	Specification	Quantity
1	Body	Bronze	IS 318 Gr. LTB 2	1
2	Disc	Bronze	IS 318 Gr. LTB 2	1
3	Disc Nut	Bronze	IS 318 Gr. LTB 2	1
4	Stem	Forged Brass	IS 6912 Gr. FLB	1
5	Bonnet	Bronze	IS 318 Gr. LTB 2	1
6	Gland Packing	PTFE	---	-
7	Gland	Forged Brass	IS 6912 Gr. FLB	1
8	Gland Nut	Forged Brass	IS 6912 Gr. FLB	1
9	Handwheel	Sheet Metal (Powder Coated)	---	1
10	Name Plate	Aluminium	---	1
11	Washer	Carbon Steel (Zinc Plated)	---	1
12	Screw / Bolt	Carbon Steel (Zinc Plated)	---	1




Sizes / Dimensions

Size (Inches)	Size (mm)	A ±1.5	B ~	ØC ~	D
1/4	8	47	67	50	1/4"
3/8	10	50	70	50	3/8"
1/2	15	60	90	60	1/2"
3/4	20	70	105	65	3/4"
1	25	80	115	70	1"
1 1/4	32	95	127	80	1 1/4"
1 1/2	40	110	138	90	1 1/2"
2	50	125	162	110	2"
2 1/2	65	160	183	115	2 1/2"
3	80	180	207	140	3"
4	100	216	250	160	4"

~ ±10

NOTE : 1. For size 8 & 10 part number 2 and 3 is not applicable.
2. For size 15 and 20 part number 3 is not applicable.

1034 Bronze Globe Valve (Flanged) 

Salient Features

- Flanged Ends to IS 778.
- Screwed in Bonnet, Inside Screw, Rising Stem, Integral Seat.
- Provision for re-packing under pressure.
- Premium Quality PTFE Gland Packing.
- Design Standard IS 778, Class-1.
- Designed sheet metal handwheel for a firm grip and convenient operation.

Test Pressure (Hydrostatic) :
Shell : 1.5 MPa
Seat & Back Seat : 1.0 MPa
Maximum Working Temperature : 45°C

Suitable For

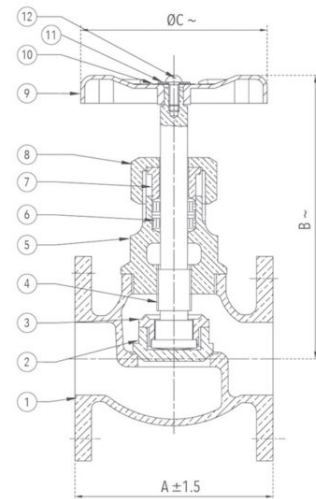
Water, Oil

*Also available with Open-Shut Indicator & Locking Device and with PTFE Seating, at a nominal extra price.



Materials

P.No.	Name of Part	Material of Construction	Specification	Quantity
1	Body	Bronze	IS 318 Gr. LTB 2	1
2	Disc	Bronze	IS 318 Gr. LTB 2	1
3	Disc Nut	Bronze	IS 318 Gr. LTB 2	1
4	Stem	Forged Brass	IS 6912 Gr. FLB	1
5	Bonnet	Bronze	IS 318 Gr. LTB 2	1
6	Gland Packing	PTFE	---	-
7	Gland	Forged Brass	IS 6912 Gr. FLB	1
8	Gland Nut	Forged Brass	IS 6912 Gr. FLB	1
9	Handwheel	Sheet Metal (Powder Coated)	---	1
10	Name Plate	Aluminium	---	1
11	Washer	Carbon Steel (Zinc Plated)	---	1
12	Screw / Bolt	Carbon Steel (Zinc Plated)	---	1



Sizes / Dimensions

Size (Inches)	Size (mm)	A ±1.5	B ~	ØC ~
1/2	15	75	90	60
3/4	20	85	105	65
1	25	95	115	70
1 1/4	32	110	127	80
1 1/2	40	120	138	90
2	50	145	162	110
2 1/2	65	165	183	115
3	80	185	207	140
4	100	216	250	160

~ ±10

NOTE: For size 15 and 20 part number 3 is not applicable.

1035 Bronze Gate Valve (Screwed) 

Salient Features

- Screwed Female Ends to IS 554 / BS 21 / ISO 7.
- Screwed in Bonnet, Inside Screw, Non-Rising Stem, Integral Seat, Solid Wedge.
- Designed sheet metal handwheel for a firm grip and convenient operation.
- Premium Quality PTFE Gland Packing.
- Design Standard IS 778, Class-1.
- Provision for re-packing under pressure.

Test Pressure (Hydrostatic) :
Shell : 1.5 MPa
Seat & Back Seat : 1.0 MPa
Maximum Working Temperature : 45°C

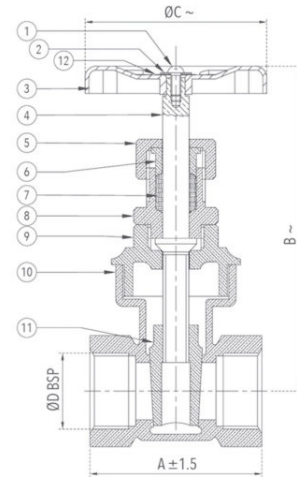
Suitable For

Water, Oil
*Also available with Open-Shut Indicator and Locking Device, at a nominal extra price.



Materials

P.No.	Name of Part	Material of Construction	Specification	Quantity
1	Screw / Bolt	Carbon Steel (Zinc Plated)	---	1
2	Washer	Carbon Steel (Zinc Plated)	---	1
3	Handwheel	Sheet Metal (Power Coated)	---	1
4	Stem	Forged Brass	IS 6912 Gr. FLB	1
5	Gland Nut	Forged Brass	IS 6912 Gr. FLB	1
6	Gland	Forged Brass	IS 6912 Gr. FLB	1
7	Gland Packing	PTFE	---	-
8	Stuffing Box	Forged Brass	IS 6912 Gr. FLB	1
9	Bonnet	Forged Brass	IS 6912 Gr. FLB	1
10	Body	Bronze	IS 318 Gr. LTB 2	1
11	Wedge	Bronze	IS 318 Gr. LTB 2	1
12	Name Plate	Aluminium	---	1



Sizes / Dimensions

Size (Inches)	Size (mm)	A ±1.5	B ~	ØC ~	D
1/4	8	50	84	50	1/4"
3/8	10	50	89	50	3/8"
1/2	15	60	105	60	1/2"
3/4	20	60	117	65	3/4"
1	25	70	132	70	1"
1 1/4	32	80	150	80	1 1/4"
1 1/2	40	90	165	90	1 1/2"
2	50	100	190	110	2"
2 1/2	65	105	232	115	2 1/2"
3	80	125	268	140	3"
4	100	160	332	160	4"

~ ±10

1036 Bronze Gate Valve (Flanged)



Salient Features

- Flanged Ends to IS 778.
- Screwed in Bonnet, Inside Screw, Non-Rising Stem, Integral Seat, Solid Wedge.
- Designed sheet metal handwheel for a firm grip and convenient operation.
- Premium Quality PTFE Gland Packing.
- Provision for re-packing under pressure.
- Design Standard IS 778, Class-1.

Test Pressure (Hydrostatic) :

Shell : 1.5 MPa

Seat & Back Seat : 1.0 MPa

Maximum Working Temperature : 45°C

Suitable For

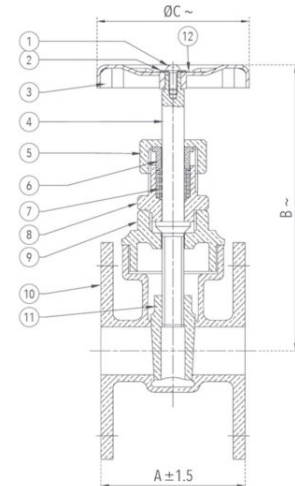
Water, Oil

*Also available with Open-Shut Indicator and Locking Device, at a nominal extra price.



Materials

P.No.	Name of Part	Material of Construction	Specification	Quantity
1	Screw / Bolt	Carbon Steel (Zinc Plated)	---	1
2	Washer	Carbon Steel (Zinc Plated)	---	1
3	Handwheel	Sheet Metal (Power Coated Paint)	---	1
4	Stem	Forged Brass	IS 6912 Gr. FLB	1
5	Gland Nut	Forged Brass	IS 6912 Gr. FLB	1
6	Gland	Forged Brass	IS 6912 Gr. FLB	1
7	Gland Packing	PTFE	---	-
8	Stuffing Box	Forged Brass	IS 6912 Gr. FLB	1
9	Bonnet	Forged Brass	IS 6912 Gr. FLB	1
10	Body	Bronze	IS 318 Gr. LTB 2	1
11	Wedge	Bronze	IS 318 Gr. LTB 2	1
12	Name Plate	Aluminium	---	1



Sizes / Dimensions

Size (Inches)	Size (mm)	A ±1.5	B ~	ØC ~
1/2	15	72	105	60
3/4	20	76	117	65
1	25	90	132	70
1 1/4	32	100	140	80
1 1/2	40	110	172	90
2	50	120	190	110
2 1/2	65	140	214	115
3	80	150	268	140
4	100	190	323	160

~ ±10

1037 Bronze Vertical Check Valve (Screwed)



Salient Features

- Screwed Female Ends to IS 554 / BS 21 / ISO 7.
- Single Piece Design.
- Meant for Vertical Lines Only.
- Permits flow in one direction and closes automatically if the flow reverses.
- Design Standard IS 778, Class-1.
- Also available with metal to metal seating.

Test Pressure (Hydrostatic) :

Shell : 1.5 MPa

Seat : 0.25 MPa

Maximum Working Temperature : 45°C

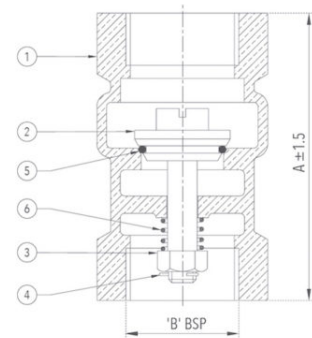
Suitable For

Water, Oil



Materials

P.No.	Name of Part	Material of Construction	Specification	Quantity
1	Body	Bronze	IS 318 Gr. LTB 2	1
2	Disc	Bronze	IS 318 Gr. LTB 2	1
3	Nut	Brass	IS 319 Gr. 2 (Half Hard)	1
4	Split Pin	Brass	---	1
5	'O' Ring	Nitrile Rubber	IS 5192 - 1	1
6	Spring	Stainless Steel	Type 304	1



Sizes / Dimensions

Size (Inches)	Size (mm)	A ± 1.5	B
1/2	15	65	1/2"
3/4	20	70	3/4"
1	25	75	1"
1 1/4	32	85	1 1/4"
1 1/2	40	95	1 1/2"
2	50	110	2"

1038 Bronze Horizontal Check Valve (Screwed)

Salient Features

- Screwed Female Ends to IS 554 / BS 21 / ISO 7.
- Screwed in Bonnet, meant for Horizontal Lines Only.
- Permits flow in one direction and shuts automatically if the flow reverses.
- Metal Disc is mushroom shaped with spherical seating surface.
- Disc is guided in Body as well as in Bonnet.
- Design Standard IS 778, Class-1.
- Also available with metal to metal seating.

Test Pressure (Hydrostatic) :

Shell : 1.5 MPa

Seat : 0.25 MPa

Maximum Working Temperature : 45°C

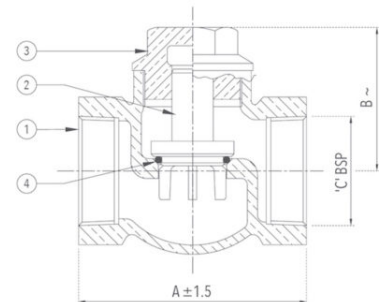


Suitable For

Water, Oil

Materials

P.No.	Name of Part	Material of Construction	Specification	Quantity
1	Body	Bronze	IS 318 Gr. LTB 2	1
2	Disc	Bronze	IS 318 Gr. LTB 2	1
3	Bonnet	Bronze / Forged Brass	IS 318 Gr. LTB 2 / IS 6912 Gr. FLB	1
4	'O' Ring	Nitrile Rubber	IS 5192 - 1	1



Sizes / Dimensions

Size (Inches)	Size (mm)	A ±1.5	B ~	C
1/2*	15*	60	40	1/2"
3/4*	20*	70	45	3/4"
1*	25*	80	55	1"
1 1/4	32	95	59	1 1/4"
1 1/2	40	110	65	1 1/2"
2	50	125	74	2"
2 1/2	65	160	85	2 1/2"
3	80	180	105	3"
4	100	216	131	4"

~ ±10

*Bonnet for Size 15, 20 and 25 is of Forged Brass.

1039 Bronze Horizontal Check Valve (Flanged)

Salient Features

- Flanged Ends to IS 778.
- Screwed in Bonnet, meant for Horizontal Lines Only.
- Permits flow in one direction and closes automatically if the flow reverses.
- Metal Disc is mushroom shaped with spherical seating surface.
- Disc is guided in Body as well as in Bonnet.
- Design Standard IS 778, Class-1.
- Also available with metal to metal seating.

Test Pressure (Hydrostatic) :

Shell : 1.5 MPa

Seat : 0.25 MPa

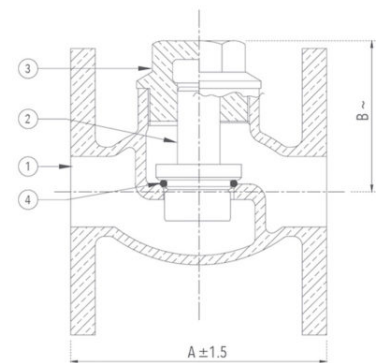
Maximum Working Temperature : 45°C

Suitable For

Water, Oil

Materials

P.No.	Name of Part	Material of Construction	Specification	Quantity
1	Body	Bronze	IS 318 Gr. LTB 2	1
2	Disc	Bronze	IS 318 Gr. LTB 2	1
3	Bonnet	Bronze / Forged Brass	IS 318 Gr. LTB 2 / IS 6912 Gr. FLB	1
4	'O' Ring	Nitrile Rubber	IS 5192 - 1	1



Sizes / Dimensions

Size (Inches)	Size (mm)	A ±1.5	B ~
1/2*	15*	75	40
3/4*	20*	85	45
1*	25*	95	55
1 1/4	32	110	59
1 1/2	40	120	65
2	50	145	74
2 1/2	65	165	85
3	80	185	105
4	100	216	131

~ ±10

*Bonnet for Size 15, 20 and 25 is of Forged Brass.