

## 1053 Bronze Y-Type Strainer (Screwed) <sup>I.B.R</sup>

### Salient Features

- Screwed Female Ends to BSPT.
- Stainless Steel (S.S 304) Ø1 mm perforated sheet screen is guided in the body and cover.
- Fine finish and smooth contours reduce pressure drop in the strainer.
- Large screening area makes the strainer efficient in performance.

Test Pressure (Hydrostatic) :

Shell : 35.15 kg/cm<sup>2</sup>g (500 psig)

Working Pressure (Steam) : 17.58 kg/cm<sup>2</sup>g (250 psig)

Maximum Working Temperature : 225°C

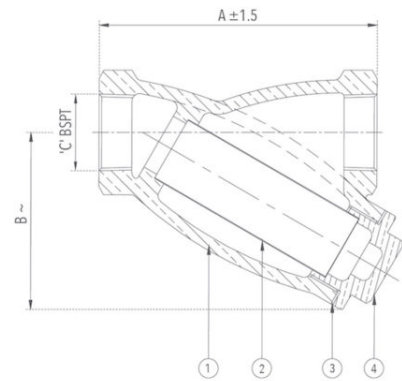


### Suitable For

Steam, Water

### Materials

P.No.	Name of Part	Material of Construction	Specification	Quantity
1	Body	Bronze	IBR 282 (a) (iv) Gr. B	1
2	Screen (Ø1 mm Perforation)	Stainless Steel	Type 304	1
3	Gasket	Steam Jointing Sheet	IS 2712 Gr. W/3	1
4	Cover	Bronze	IBR 282 (a) (iv) Gr. B	1



### Sizes / Dimensions

Size (Inches)	Size (mm)	A ±1.5	B ~	C
1/2	15	76	56	1/2"
3/4	20	98	67	3/4"
1	25	133	97	1"
1 1/4	32	152	108	1 1/4"
1 1/2	40	178	116	1 1/2"
2	50	222	140	2"

~ ±10

## 1053A Forged Brass Y-Type Strainer (Screwed) PN 25

### Salient Features

- Screwed Female Ends to BSP.
- Stainless Steel (S.S 304) Ø1 mm perforated sheet screen is guided in the body and cover.
- Fine finish and smooth contours reduce pressure drop in the strainer.
- Large screening area makes the strainer efficient in performance.

Test Pressure (Hydrostatic) :

Shell : 35 kg/cm<sup>2</sup>g (500 psig)

Working Pressure : 25 kg/cm<sup>2</sup>g (350 psig)

### Suitable For

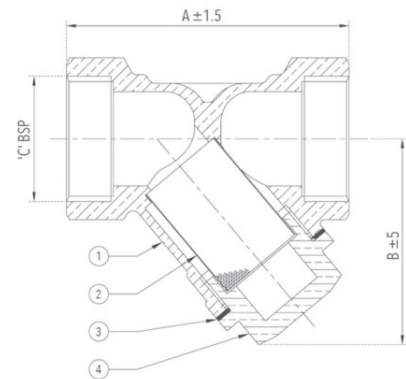
Steam\*, Water, Oil, Air\*, Gases\*

\*Suitable for pressure upto 6.9 kg/cm<sup>2</sup>g (100 psig)



### Materials

P.No.	Name of Part	Material of Construction	Specification	Quantity
1	Body	Forged Brass	IS 6912 Gr. FLB	1
2	Screen (Ø1 mm Perforation)	Stainless Steel	Type 304	1
3	Gasket	PTFE	BS EN 12086-1	1
4	Cover	Forged Brass	IS 6912 Gr. FLB	1



### Sizes / Dimensions

Size (Inches)	Size (mm)	A ± 1.5	B ± 5	C
1/2	15	54	45	1/2"
3/4	20	67.5	56	3/4"
1	25	75	56	1"
1 1/4	32	94	73	1 1/4"
1 1/2	40	100	80	1 1/2"
2	50	126	99	2"

## 1054 Bronze Y-Type Strainer (Flanged) <sup>I.B.R</sup>

### Salient Features

- Flanged Ends to BS 10 Table 'H'.
- Stainless Steel (S.S 304) Ø1 mm perforated sheet screen is guided in the body and cover.
- Fine finish and smooth contours reduce pressure drop in the strainer.
- Large screening area makes the strainer efficient in performance.

Test Pressure (Hydrostatic) :

Shell : 35.15 kg/cm<sup>2</sup>g (500 psig)

Working Pressure (Steam) : 17.58 kg/cm<sup>2</sup>g (250 psig)

Maximum Working Temperature : 225°C

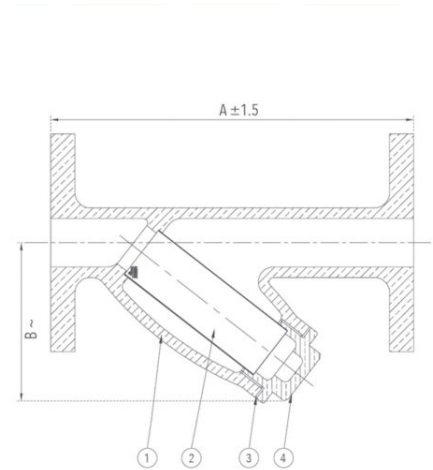
### Suitable For

Steam, Water



### Materials

P.No.	Name of Part	Material of Construction	Specification	Quantity
1	Body	Bronze	IBR 282 (a) (iv) Gr. B	1
2	Screen (Ø1 mm Perforation)	Stainless Steel	Type 304	1
3	Gasket	Steam Jointing Sheet	IS 2712 Gr. W/3	1
4	Cover	Bronze	IBR 282 (a) (iv) Gr. B	1



### Sizes / Dimensions

Size (Inches)	Size (mm)	A ±1.5	B ~
1/2	15	136	68
3/4	20	140	85
1	25	162	110
1 1/4	32	178	120
1 1/2	40	203	145
2	50	203	188

~ ±10

## 1069 Cast Iron Y-Type Strainer (Screwed) I.B.R

### Salient Features

- Screwed Female Ends to BSPT.
- Stainless Steel (S.S 304) perforated sheet screen (Ø1 mm Perforation) is guided in body and bonnet.
- Fine finish and smooth contours to minimize pressure drop inside the strainer.
- Large screening area makes the strainer highly efficient in performance.

Test Pressure (Hydrostatic) :

Shell : 21.10 kg/cm<sup>2</sup>g (300 psig)

Working Pressure (Steam) : 10.55 kg/cm<sup>2</sup>g (150 psig)

Maximum Working Temperature : 220°C

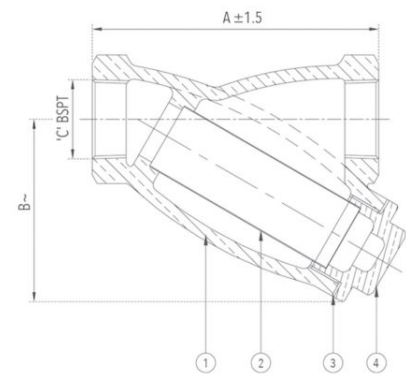
### Suitable For

Steam, Water



### Materials

P.No.	Name of Part	Material of Construction	Specification	Qty.
1	Body	Cast Iron	IBR 86-93 Gr. A	1
2	Screen (Ø1 mm Perforation)	Stainless Steel	Type 304	1
3	Gasket	Steam Jointing Sheet	IS 2712 Gr. W/3	1
4	Cover	Cast Iron	IBR 86-93 Gr. A	1



### Sizes / Dimensions

Size (Inches)	Size (mm)	A ±1.5	B ~	C
1/2	15	76	71	1/2"
3/4	20	98	85	3/4"
1	25	133	95	1"
1 1/4	32	155	110	1 1/4"
1 1/2	40	178	116	1 1/2"
2	50	222	140	2"

~ ±10

## 1070 Cast Iron Y-Type Strainer (Flanged) <sup>I.B.R</sup>

### Salient Features

- Flanged Ends to BS 10 Table 'F'.
- Stainless Steel (S.S 304) perforated sheet screen (Ø1 mm Perforation) is guided in body and cover.
- Drain Plug is provided to remove the accumulated foreign particles.
- Fine finish and smooth contours to minimize pressure drop inside the strainer.
- Large screening area makes the strainer extremely efficient in performance.

Test Pressure (Hydrostatic) :

Shell : 21.10 kg/cm<sup>2</sup>g (300 psig)

Working Pressure (Steam) : 10.55 kg/cm<sup>2</sup>g (150 psig)

Maximum Working Temperature : 220°C

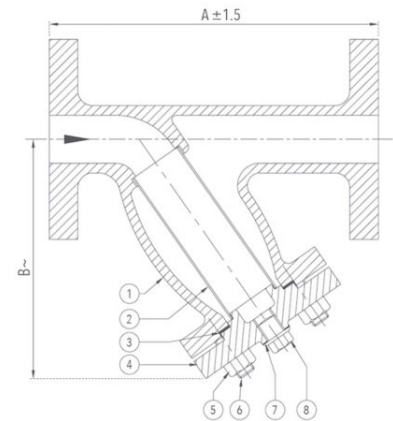
### Suitable For

Steam, Water



### Materials

P.No.	Name of Part	Material of Construction	Specification	Qty.
1	Body	Cast Iron	IBR 86-93 Gr. A	1
2	Screen (Ø1 mm Perforation)	Stainless Steel	Type 304	1
3	Gasket	Steam Jointing Sheet	IS 2712 Gr. W/3	1
4	Cover	Cast Iron	IBR 86-93 Gr. A	1
5	Nuts	Carbon Steel	IS 1367	As Reqd.
6	Studs	Carbon Steel	IS 1367	As Reqd.
7	Gasket	Steam Jointing Sheet	IS 2712 Gr. W/3	1
8	Plug	Bronze	IBR 282 (a) (iv) Gr. B	1



### Sizes / Dimensions

Size (Inches)	Size (mm)	A ±1.5	B ~
1/2	15	136	87
3/4	20	140	88
1	25	162	112
1 1/4	32	185	135
1 1/2	40	206	152
2	50	210	205
2 1/2	65	248	250
3	80	270	268
4	100	381	290

~ ±10

## 1073 Cast Steel Y-Type Strainer (Flanged) <sup>I.B.R</sup>

### Salient Features

- Flanged Ends to BS 10 Table 'J'.
- Stainless Steel (S.S 304) perforated sheet screen (Ø1 mm Perforation) is guided in body and cover.
- Drain Plug to remove the accumulated foreign particles.
- Fine finish and smooth contours to minimize pressure drop inside the strainer.
- Large screening area makes the strainer more efficient.
- Suitable for thermic fluid application also.

Test Pressure (Hydrostatic) : 49 kg/cm<sup>2</sup>g (700 psig)  
Maximum Working Pressure (Steam) : 24.60 kg/cm<sup>2</sup>g (350 psig)  
Maximum Working Temperature : 425°C

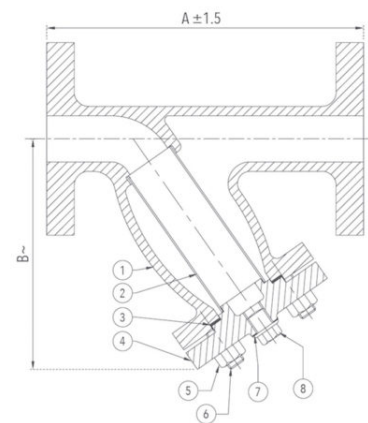
### Suitable For

Steam, Water, Oil



### Materials

P.No.	Name of Part	Material of Construction	Specification	Qty.
1	Body	Cast Steel	IBR 73 - 80 Gr. B	1
2	Screen (Ø1 mm Perforation)	Stainless Steel	Type 304	1
3	Gasket	Steam Jointing Sheet	IS 2712 Gr. W/3	1
4	Bonnet	Cast Steel	IBR 73-80 Gr. B	1
5	Nuts	H.T Steel	ASTM A 194 Gr. 2H	As Reqd
6	Studs	Alloy Steel	ASTM A 193 Gr. B7	As Reqd
7	Gasket	Steam Jointing Sheet	IS 2712 Gr. W/3	1
8	Plug	Bronze	IS 318 Gr. LTB2	1



### Sizes / Dimensions

Size (Inches)	Size (mm)	A ±1.5	B ~
1	25	181	135
1 1/4	32	222	170
1 1/2	40	260	200
2	50	276	225
2 1/2	65	286	250
3	80	296	280
4	100	403	312
6	150	476	364

~ ±10

## 1084 Cast Iron Y-Type Strainer PN 10 (Flanged)

### Salient Features

- Flanged Ends to BS 10 Table 'F'.
- Stainless Steel (S.S 304) perforated sheet screen (Ø3 mm Perforation) is guided in body and cover.
- Large screening area makes the strainer efficient in performance.
- Minimum pressure drop inside the body due to streamlined body contours.

Test Pressure (Hydrostatic) :

Shell : 15 kg/cm<sup>2</sup>g (220 psig)

Maximum Working Pressure : 10 kg/cm<sup>2</sup>g (150 psig)

Maximum Working Temperature : 220°C

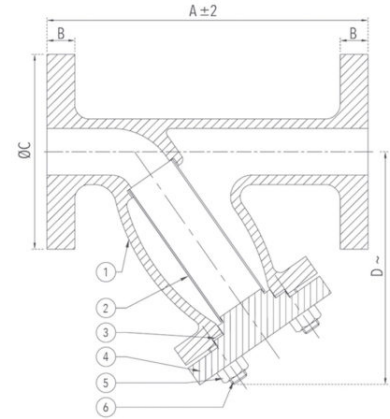
### Suitable For

Water



### Materials

P.No.	Name of Part	Material of Construction	Specification	Qty.
1	Body	Cast Iron	IS 210 Gr. FG 200	1
2	Screen (Ø3 mm Perforation)	Stainless Steel	Type 304	1
3	Gasket	Rubber	IS 638 Type B	1
4	Bonnet	Cast Iron	IS 210 Gr. FG 200	1
5	Nuts	Carbon Steel	---	As Reqd.
6	Studs	Carbon Steel	---	As Reqd.



### Sizes / Dimensions

Size (Inches)	Size (mm)	A ± 2	B + 3	ØC + 3	D ~
1 1/2	40	165	16	140	152
2	50	180	19	165	175
2 1/2	65	206	19	184.5	180
3	80	260	19	203.2	238
4	100	295	22.2	228.6	250
5	125	385	25.4	279.4	320
6	150	385	25.4	305	320
8	200	525	28.6	368.3	395
10	250	700	28.6	431.8	515
12	300	750	31.8	489	570
14	350	850	35	552.5	620

~ ±10

**Note :** Strainers are also available with Magnet at a nominal extra cost.

## 1084A Cast Iron Y-Type Strainer, PN 16 (Flanged)

### Salient Features

- Flanged Ends to BS 10 Table 'F'.
- Stainless Steel (S.S 304) perforated sheet screen (Ø3 mm Perforation) is guided in body and cover.
- Large screening area makes the strainer efficient in performance.
- Minimum pressure drop inside the body due to streamlined body contours.

Test Pressure (Hydrostatic) :

Shell : 24 kg/cm<sup>2</sup>g (340 psig)

Maximum Working Pressure : 16 kg/cm<sup>2</sup>g (225 psig)

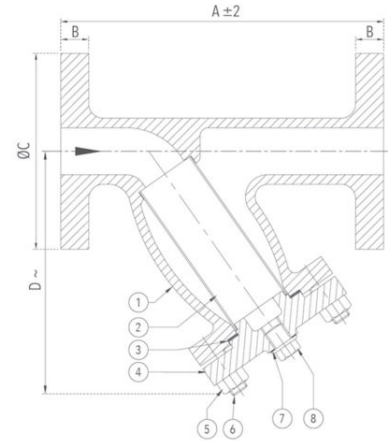
### Suitable For

Water



### Materials

P.No.	Name of Part	Material of Construction	Specification	Qty.
1	Body	Cast Iron	IS 210 Gr. FG 200	1
2	Screen (Ø3 mm Perforation)	Stainless Steel	Type 304	1
3	Gasket	Rubber	IS 638 Type B	1
4	Cover	Cast Iron	IS 210 Gr. FG 200	1
5	Nuts	Carbon Steel	---	As Reqd.
6	Studs	Carbon Steel	---	As Reqd.
7	Gasket	Rubber	IS 638 Type B	1
8	Drain Plug	Brass / Bronze	IS 6912 Gr. FLB / IS 318 Gr. LTB 2	1



### Sizes / Dimensions

Size (Inches)	Size (mm)	A ± 2	B + 3	ØC + 3	D ~
1 1/2	40	165	16	139.7	152
2	50	180	19	165.1	169
2 1/2	65	206	19	184.2	180
3	80	260	19	203.2	242
4	100	295	22.2	228.6	267
5	125	385	25.4	279.4	320
6	150	385	25.4	304.8	331
8	200	525	28.6	368.3	434
10	250	700	28.6	431.8	533

~ ±10

**Note :** Strainers are also available with Magnet at a nominal extra cost.



## 1085 Bronze Ball Valve with Integral Strainer (Screwed)

### Salient Features

- Screwed Female Ends to BSP.
- Two Piece Design.
- Quarter Turn, Lever Operated for convenient operation.
- Stainless Steel (S.S 304) rust proof perforated sheet screen is provided in the strainer.
- Carbon Steel Powder Coated and Robust Lever.
- Most suitable for refrigeration and H.V.A.C applications.

Test Pressure (Hydrostatic) :  
Shell : 25 kg/cm<sup>2</sup>g (350 psig)  
Seat : 16 kg/cm<sup>2</sup>g (225 psig)  
Maximum Working Temperature : 220°C

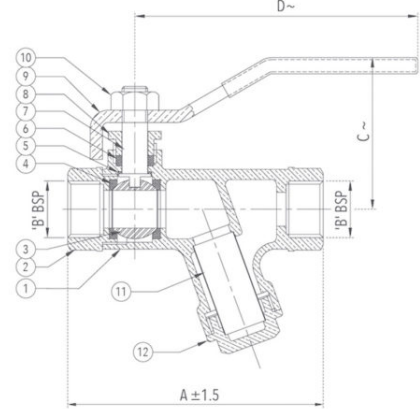
### Suitable For

Water



### Materials

P.No.	Name of Part	Material of Construction	Specification	Qty.
1	Body	Bronze	IS 318 Gr. LTB 2	1
2	Bonnet	Bronze	IS 318 Gr. LTB 2	1
3	Ball	Stainless Steel	ASTM A 276 Type 304	1
4	Body Seat Ring	PTFE	---	2
5	Thrust Washer	PTFE	---	1
6	Packing Ring	PTFE	---	-
7	Stem	Stainless Steel	ASTM A 276 Type 410	1
8	Gland	Brass	IS 6912 Gr. FLB	1
9	Lever	Carbon Steel	---	1
10	Nut	Carbon Steel	---	1
11	Screen	Stainless Steel	Type 304	1
12	Bottom Cover	Bronze	IS 318 Gr. LTB 2	1



### Sizes / Dimensions

Size (Inches)	Size (mm)	A ±1.5	B	C ~	D ~
1/2	15	92	1/2"	50	104
3/4	20	107	3/4"	60	121
1	25	119	1"	60	136

~ ±10

## 1085A Bronze Ball Valve With Integral Strainer & Flare Nut (Mixed Ends)

### Salient Features

- Screwed Ends to BSP Female Inlet and 5/8" BSP Male Outlet provided with a Flare Nut.
- Two Piece Design.
- Quarter Turn, Lever Operated for convenient operation.
- Stainless Steel (S.S 304) rust proof perforated sheet screen is provided in the strainer.
- Stainless Steel, Rust Free and Robust Lever.
- Most suitable for refrigeration and H.V.A.C applications.

Test Pressure (Hydrostatic)  
Shell : 20 kg/cm<sup>2</sup>g (300 psig)  
Seat : 13.50 kg/cm<sup>2</sup>g (192 psig)  
Maximum Working Temperature : 220°C

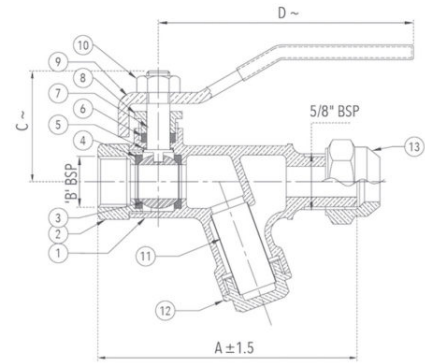
### Suitable For

Water



### Materials

P.No.	Name of Part	Material of Construction	Specification	Qty.
1	Body	Bronze	IS 318 Gr. LTB 2	1
2	Bonnet	Bronze	IS 318 Gr. LTB 2	1
3	Ball	Stainless Steel	ASTM A 276 Type 304	1
4	Body Seat Ring	PTFE	---	2
5	Thrust Washer	PTFE	---	1
6	Packing Ring	PTFE	---	-
7	Stem	Stainless Steel	ASTM A 276 Type 410	1
8	Gland	Brass	IS 6912 Gr. FLB	1
9	Lever	Stainless Steel	Type 304	1
10	Nut	Carbon Steel	---	1
11	Screen	Stainless Steel	Type 304	1
12	Bottom Cover	Bronze	IS 318 Gr. LTB 2	1
13	Flare Nut	Brass	IS 6912 Gr. FLB	1



### Sizes / Dimensions

Size (Inches)	Size (mm)	A ± 1.5	B	C ~	D ~
1/2	15	87	1/2"	34	82
3/4	20	114	3/4"	36	82
1	25	126	1"	44	82

~ ±10