

## 1069 Cast Iron Y-Type Strainer (Screwed) I.B.R

### Salient Features

- Screwed Female Ends to BSPT.
- Stainless Steel (S.S 304) perforated sheet screen (Ø1 mm Perforation) is guided in body and bonnet.
- Fine finish and smooth contours to minimize pressure drop inside the strainer.
- Large screening area makes the strainer highly efficient in performance.

Test Pressure (Hydrostatic) :

Shell : 21.10 kg/cm<sup>2</sup>g (300 psig)

Working Pressure (Steam) : 10.55 kg/cm<sup>2</sup>g (150 psig)

Maximum Working Temperature : 220°C

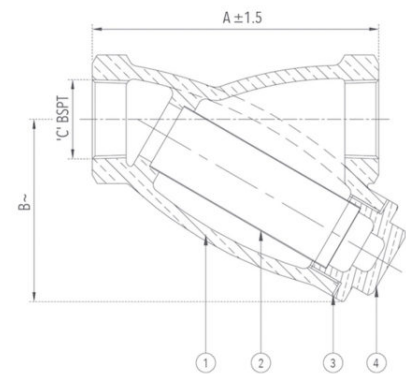
### Suitable For

Steam, Water



### Materials

P.No.	Name of Part	Material of Construction	Specification	Qty.
1	Body	Cast Iron	IBR 86-93 Gr. A	1
2	Screen	Stainless Steel	Type 304	1
3	Gasket	Steam Jointing Sheet	IS 2712 Gr. W/3	1
4	Cover	Cast Iron	IBR 86-93 Gr. A	1



### Sizes / Dimensions

Size (Inches)	Size (mm)	A ±1.5	B ~	C
1/2	15	76	71	1/2"
3/4	20	98	85	3/4"
1	25	133	95	1"
1 1/4	32	155	110	1 1/4"
1 1/2	40	178	116	1 1/2"
2	50	222	140	2"