

1070 Cast Iron Y-Type Strainer (Flanged) ^{I.B.R}

Salient Features

- Flanged Ends to BS 10 Table 'F'.
- Stainless Steel (S.S 304) perforated sheet screen (Ø1 mm Perforation) is guided in body and cover.
- Drain Plug is provided to remove the accumulated foreign particles.
- Fine finish and smooth contours to minimize pressure drop inside the strainer.
- Large screening area makes the strainer extremely efficient in performance.

Test Pressure (Hydrostatic) :

Shell : 21.10 kg/cm²g (300 psig)

Working Pressure (Steam) : 10.55 kg/cm²g (150 psig)

Maximum Working Temperature : 220°C

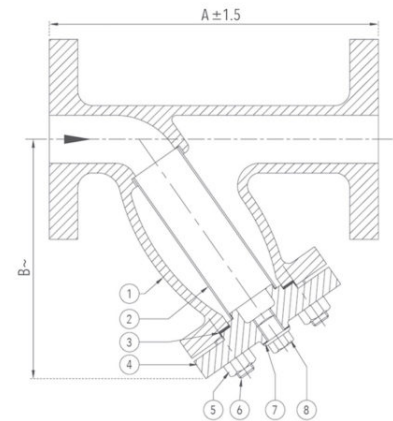
Suitable For

Steam, Water



Materials

P.No.	Name of Part	Material of Construction	Specification	Qty.
1	Body	Cast Iron	IBR 86-93 Gr. A	1
2	Screen	Stainless Steel	Type 304	1
3	Gasket	Steam Jointing Sheet	IS 2712 Gr. W/3	1
4	Cover	Cast Iron	IBR 86-93 Gr. A	1
5	Nuts	Carbon Steel	IS 1367	As Reqd.
6	Studs	Carbon Steel	IS 1367	As Reqd.
7	Gasket	Steam Jointing Sheet	IS 2712 Gr. W/3	1
8	Plug	Bronze	IBR 282 (a) (iv) Gr. B	1



Sizes / Dimensions

Size (Inches)	Size (mm)	A ±1.5	B ~
1/2	15	136	87
3/4	20	140	88
1	25	162	112
1 1/4	32	185	135
1 1/2	40	206	152
2	50	210	205
2 1/2	65	248	250
3	80	270	268
4	100	381	290