

## 1088 Cast Steel Three Piece Design Ball Valve, Class-150 (Screwed)

I.B.R

### Salient Features

- Design Standard BS EN ISO 17292 (BS 5351).
- Screwed Female Ends to BSPT / NPT / Socket Weld.
- Reduced Bore, Three Piece Design.
- Superb in Quality and Performance.

Test Pressure (Hydrostatic) :  
Shell : 31 kg/cm<sup>2</sup>g (440psig)  
Seat : 21kg/cm<sup>2</sup>g (300 psig)  
Seat (Steam) : 10.55 kg/cm<sup>2</sup>g (150 psig)  
Maximum Working Temperature : 220°C

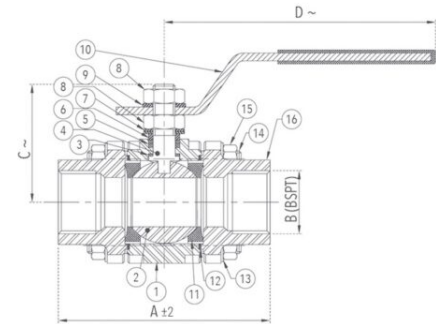
### Suitable For

Steam, Water, Oil



### Materials

P.No.	Name of Part	Material of Construction	Specification	Qty.
1	Body	Cast Steel	ASTM A 216 Gr. WCB	1
2	Ball	Stainless Steel	ASTM A 276 Type 304 / ASTM A 351 Gr. CF8	1
3	Thrust Washer	PTFE 35% Carbon Filled	---	1
4	Stem	Stainless Steel	ASTM A 276 Type 316	1
5	Packing Ring	PTFE 35% Carbon Filled	---	2
6	Gland	Stainless Steel	ASTM A 276 Type 304	1
7	Cup Washer	Stainless Steel	ASTM A 276 Type 304	2
8	Nut	H.T Steel	ASTM A 194 Gr. 2H	2
9	Spring Washer	Spring Steel	EN 47 Gr. B	1
10	Lever	Carbon Steel	---	1
11	Body Seat Ring	PTFE	---	2
12	Gasket	PTFE	---	2
13	Spring Washer	Spring Steel	EN 47 Gr. B	8
14	Studs	Alloy Steel	ASTM A 193 Gr. B7	4
15	Nuts	H.T Steel	ASTM A 194 Gr. 2H	8
16	End Connector	Cast Steel	ASTM A 216 Gr. WCB	2



### Sizes / Dimensions

Size (Inches)	Size (mm)	A ±2	B	C ~	D ~
1/2	15	69	1/2"	38	112
3/4	20	73	3/4"	40	125
1	25	95	1"	57	168
1 1/4	32	105	1 1/4"	65	168
1 1/2	40	115	1 1/2"	75	177
2	50	128	2"	80	220

~ ±10