

1078K Butterfly Valve (Wafer Type), PN 1.6 with Electrical Actuator

Salient Features

- Design Standard IS 13095 / BS EN 593 (BS 5155).
- Wafer Type.
- Electrical Acuator Operated.
- S.G Iron construction.
- Stainless Steel (CF8 / CF8M*) Disc which is accurately guided between the two stems.
- Actuator is with position indicator and adjustable center stopper for both open and closed position.
- Compliant with B.M.S (Building Management System).
- Can be provided with extended wire for ease of installation.
- IP 67 protection available for outdoor application.
- Inbuilt micro switch position feedback.
- Input Voltage - 24/230 V power supply.
- Integrally moulded rubber lining (EPDM / Nitrile / Neoprene* / Viton* / Silicon*) as per requirement which provides seating to the valve disc, as a primary seal to the stem and gasket joint with matching pipe flanges.
- Two Piece Stem design which is precisely guided between the PTFE / Bronze bushes.
- Compatible to sandwich between flanges as per BS 10 Table D, E, F,H, DIN, PN 10, PN 16, PN 25, PN 40, ASA 150, ASA 300, IS 778, IS 6392 Table 17 and IS 1538.



*Valves with Neoprene / Viton / Silicon lining and CF8M (S.S 316) Disc can also be provided at nominal extra cost.

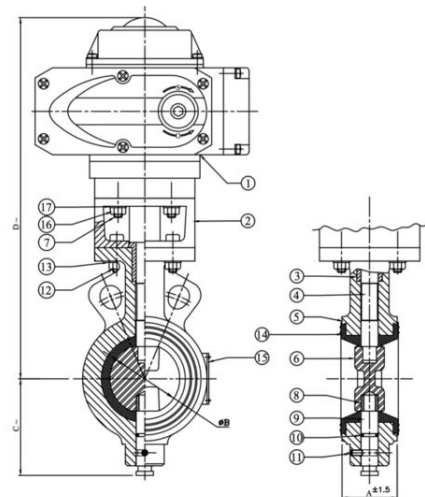
PN 1.6 -
Test Pressure (Hydrostatic) :
Shell : 2.4 MPa
Seat : 1.76 MPa
Maximum Working Pressure : 1.6 MPa
Maximum Working Temperature : 90°C

Suitable For

Water

Materials

| P.No. | Name of Part | Material of Construction | Specification | Qty. |
|-------|--------------------|--------------------------|-----------------------------------|--------|
| 1 | Electric Actuator | --- | --- | 1 |
| 2 | Actuator Base | Carbon Steel | --- | 1 |
| 3 | Packing Bush | Bronze | IS 318 Gr. LTB 2 | 1 |
| 4 | Upper Stem | Stainless Steel | IS 6603 Gr. 12 Cr12 | 1 |
| 5 | Body | S.G Iron | IS 1865 Gr. 400/15 | 1 |
| 6 | Disc | Stainless Steel | IS 3444 Gr. 1 / ASTM A351 Gr. CF8 | 1 |
| 7 | Studs for Actuator | Carbon Steel | --- | 4 |
| 8 | Bush | Bronze | IS 318 Gr. LTB 2 | 1 |
| 9 | Lower Stem | Stainless Steel | IS 6603 Gr. 12 Cr12 | 1 |
| 10 | 'O' Ring | Nitrile Rubber | IS 5192 - 1 | 1 |
| 11 | L - Key Screw | Carbon Steel | --- | 1 |
| 12 | L-Key Bolts & Nuts | Carbon Steel | --- | 4 Each |
| 13 | Locking Washer | Spring Steel | --- | 1 |
| 14 | Body Lining | EPDM / Nitrile | IS 5192 - 1 | 1 |
| 15 | Name Plate | Aluminium | --- | 1 |
| 16 | Nuts | Carbon Steel | IS 1363 Part 3 Class 4.0 | 4 |
| 17 | Spring Washer | Spring Steel | --- | 4 |



Sizes / Dimensions

| Size (Inches) | Size (mm) | A ±1.5 | ØB | C ~ | D ~ | Actuator Model No. |
|---------------|-----------|--------|-------|-----|-----|--------------------|
| 1 1/2 | 40 | 33 | 40.6 | 57 | 265 | ZSY 1 |
| 2 | 50 | 43 | 53 | 73 | 275 | ZSY 1 |
| 2 1/2 | 65 | 46 | 67 | 80 | 290 | ZSY 1 |
| 3 | 80 | 46 | 81.3 | 88 | 295 | ZSY 1 |
| 4 | 100 | 52 | 101 | 110 | 325 | ZSY 2 |
| 5 | 125 | 56 | 127.1 | 122 | 372 | ZSY 2 |
| 6 | 150 | 56 | 151 | 151 | 400 | ZSY 2 |
| 8 | 200 | 60 | 201.6 | 180 | 457 | ZSY 3 |
| 10 | 250 | 68 | 252.2 | 220 | 516 | ZSY 4 |
| 12 | 300 | 78 | 301.3 | 250 | 540 | ZSY 4 |

~ ±10