

1013 Bronze Horizontal Check Valve No.9 (Screwed)

Salient Features

- Screwed Female Ends to IS 554 / BS 21 / ISO 7.
- Screwed on Bonnet.
- Permits flow in one direction and closes automatically if the flow reverses.
- Renewable 13% Cr. Stainless Steel (S.S 410) working parts.
- Metal Disc is mushroom shaped with spherical seating surface.
- Meant for Horizontal Lines Only.
- Disc is guided in Bonnet.

Test Pressure (Hydrostatic) :
Shell : 35 kg/cm²g (500 psig)
Working Pressure (Steam) : 10.55 kg/cm²g (150 psig)
Maximum Working Temperature : 225°C

Suitable For

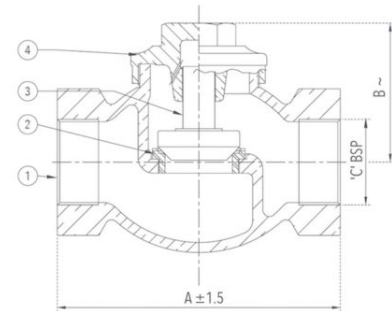
Steam, Water, Oil, Air*, Gases*

*Also available with PTFE Seating for Air and Gas applications, at a nominal extra price.



Materials

P.No.	Name of Part	Material of Construction	Specification	Quantity
1	Body	Bronze	IS 318 Gr. LTB 2	1
2	Body Seat Ring	Stainless Steel	ASTM A276 Type 410	1
3	Disc	Stainless Steel	ASTM A276 Type 410	1
4	Bonnet	Bronze	IS 318 Gr. LTB 2	1



Sizes / Dimensions

Size (Inches)	Size (mm)	A ± 1.5	B ~	C
1/4	8	60	40	1/4"
3/8	10	60	43	3/8"
1/2	15	68	48	1/2"
3/4	20	84	50	3/4"
1	25	95	61	1"
1 1/4	32	106	72	1 1/4"
1 1/2	40	120	84	1 1/2"
2	50	146	93	2"
2 1/2	65	180	109	2 1/2"
3	80	200	121	3"
4	100	248	146	4"