

1024A Forged Brass Ball Bib Cock with Hose Union (Chrome Plated)

Salient Features

- Screwed Male End to IS 554 / BS 21 / ISO 7.
- Provided with Chrome Plated Brass Ball.
- Sturdy Hose Union provided.
- Chrome Finish.

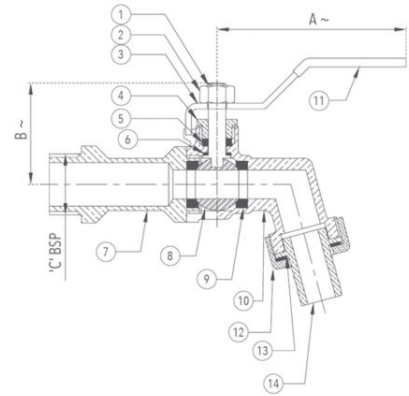
Test Pressure (Hydrostatic) :
Shell : 25 kg/cm²g (350 psig)
Seat : 16 kg/cm²g (225 psig)
Maximum Working Temperature : 220°C

Suitable For
Water



Materials

P.No.	Name of Part	Material of Construction	Specification	Quantity
1	Stem	Forged Brass	IS 6912 Gr. FLB	1
2	Nut	Brass (Chrome Plated)	---	1
3	Lever	Mild Steel	---	1
4	Gland	Forged Brass	IS 6912 Gr. FLB	1
5	Gland Packing	PTFE	---	1
6	Thrust Washer	PTFE	---	1
7	Adaptor	Forged Brass	IS 6912 Gr. FLB	1
8	Ball	Forged Brass (Hard Chrome Plated)	IS 6912 Gr. FLB	1
9	Body Seat Ring	PTFE	---	2
10	Body	Forged Brass	IS 6912 Gr. FLB	1
11	Sleeve	PVC	---	1
12	Hose Nut	Forged Brass	IS 6912 Gr. FLB	1
13	Washer	Rubber	---	1
14	Hose Pipe	Forged Brass	IS 6912 Gr. FLB	1



Sizes / Dimensions

Size (Inches)	Size (mm)	A ~	B ~	C
1/2	15	115	34	1/2"

~ ±10