

## 1031 Bronze Union Bonnet Globe Valve (Screwed)

### Salient Features

- Screwed Female Ends to IS 554 / BS 21 / ISO 7.
- Screwed on Bonnet, Rising Stem.
- Provision for re-packing under pressure.
- Renewable 13% Cr. Stainless Steel (S.S 410) working parts.
- Handwheel Operated.

Test Pressure (Hydrostatic) :

Shell : 35 kg/cm<sup>2</sup>g (500 psig)

Working Pressure (Steam) : 10.55 kg/cm<sup>2</sup>g (150 psig)

Maximum Working Temperature : 225°C

### Suitable For

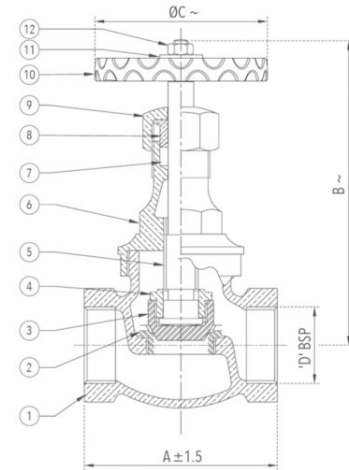
Steam, Water, Oil, Air\*, Gases\*

\*Also available with PTFE Seating for Air and Gas applications, at a nominal extra price.



### Materials

P.No.	Name of Part	Material of Construction	Specification	Quantity
1	Body	Bronze	IS 318 Gr. LTB 2	1
2	Body Seat Ring	Stainless Steel	ASTM A276 Type 410	1
3	Disc	Stainless Steel	ASTM A276 Type 410	1
4	Disc Nut	Bronze	IS 318 Gr. LTB 2	1
5	Stem	Stainless Steel	ASTM A276 Type 410	1
6	Bonnet	Bronze	IS 318 Gr. LTB 2	1
7	Gland Packing	Asbestos	---	-
8	Gland	Bronze	IS 318 Gr. LTB 2	1
9	Gland Nut	Bronze	IS 318 Gr. LTB 2	1
10	Handwheel	Cast Iron	IS 210 Gr. FG 200	1
11	Washer	Carbon Steel	---	1
12	Nut	Carbon Steel	---	1



### Sizes / Dimensions

Size (Inches)	Size (mm)	A ±1.5	B ~	ØC ~	D
1/4	8	60	100	60	1/4"
3/8	10	60	100	60	3/8"
1/2	15	68	117	70	1/2"
3/4	20	84	132	80	3/4"
1	25	95	148	86	1"
1 1/4	32	106	176	102	1 1/4"
1 1/2	40	120	188	115	1 1/2"
2	50	146	216	127	2"
2 1/2	65	180	248	170	2 1/2"
3	80	200	270	170	3"
4	100	248	332	190	4"